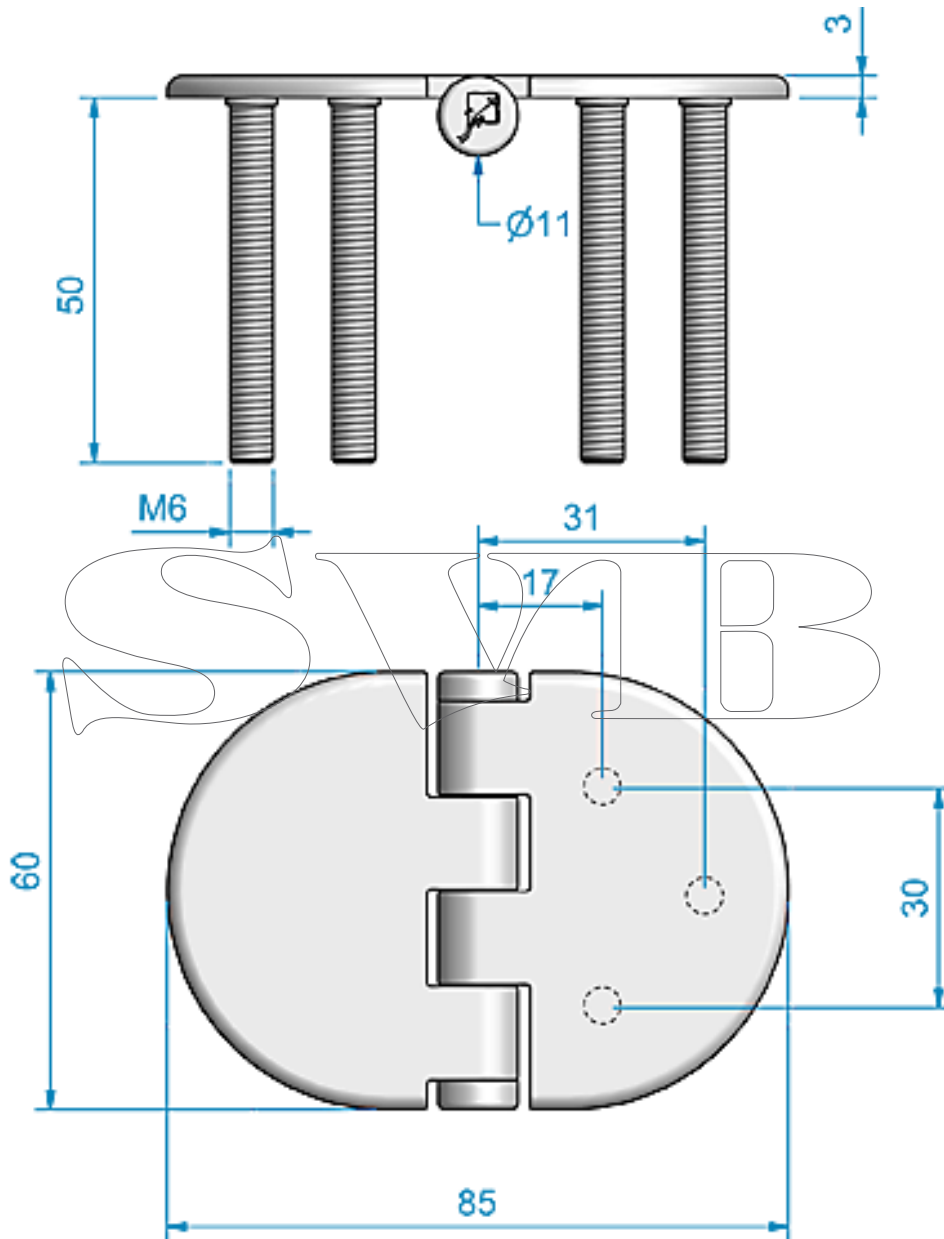


Hinge, stud welded reversed 60x85



Art.no.	Material	Treatment	Weight
449009	Acid proof stainless steel (AISI316)	Electro polished	178



Related products



SVIB