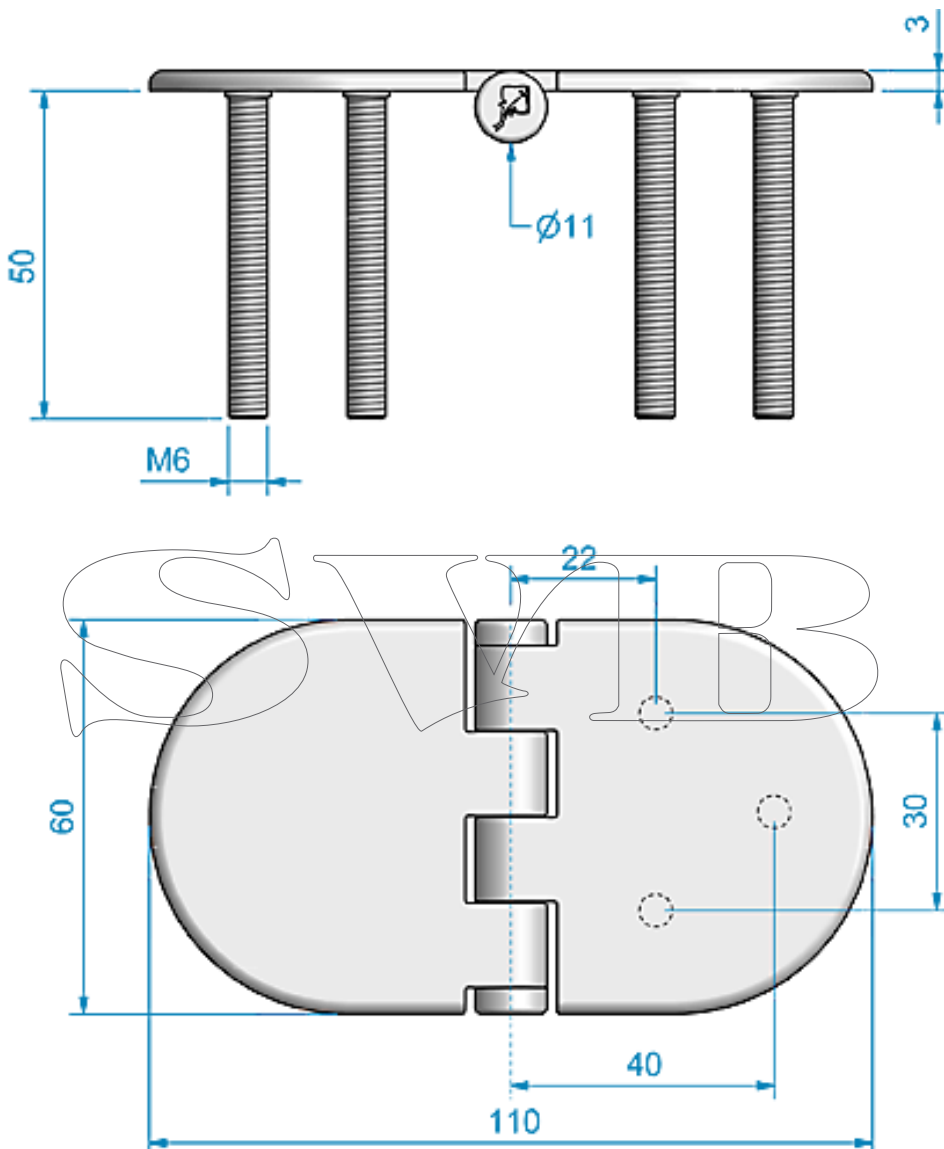


Hinge, stud welded reversed 60x110



Art.no.	Material	Treatment	Weight
449019	Acid proof stainless steel (AISI316)	Electro polished	212



Related products

