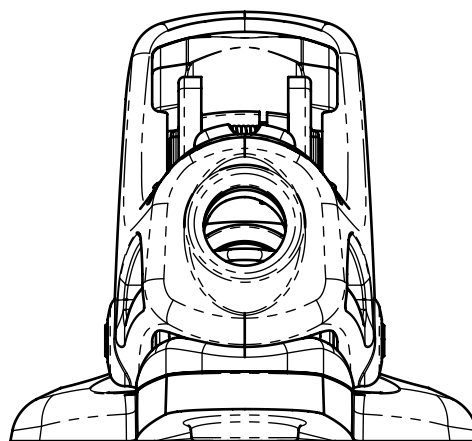
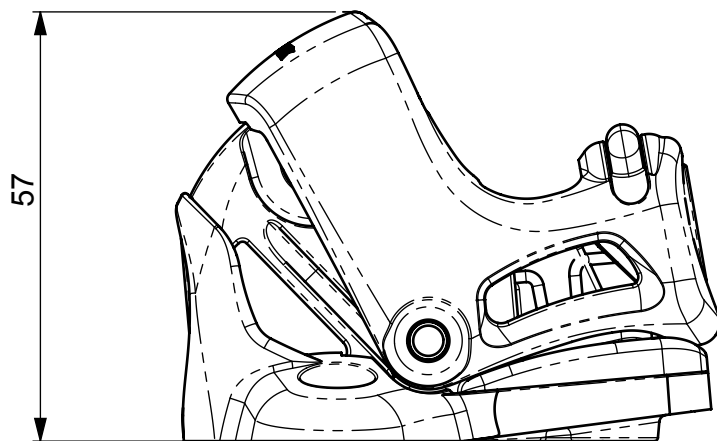


SVIB



spinlock

SPINLOCK REFERENCE
PXR0810/T

SCALE 1:1
ALL DIMENSIONS IN mm

FASTENERS
2 x M5 (2 x 3/16")