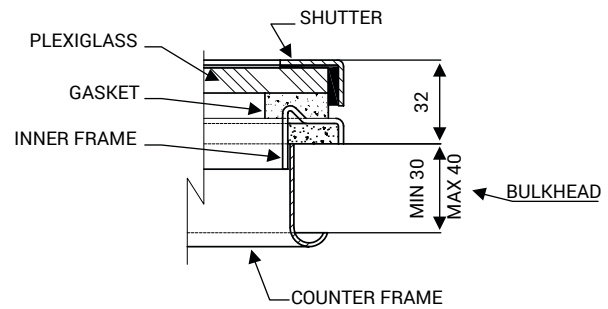
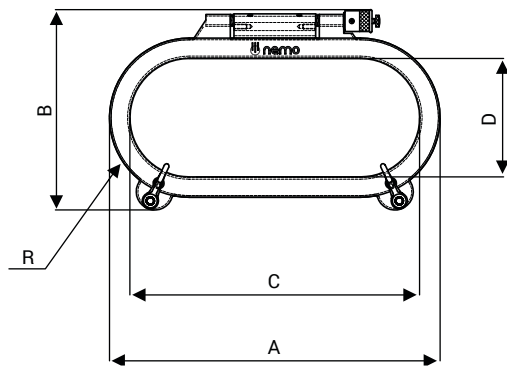


>> Stainless Steel Portlight - oval opening window. Technical data.



OVAL OPENING PORTLIGHT

PORTLIGHT CODE	OVERALL DIMENSIONS			CUT-OUT SIZE		CLEAR GLASS SIZE	
	A	B	R	C	D		
218.750	405	245	97.5	366	156	357	147
218.755	452	301	126.5	412	213	404	205
218.760	465	309	137.5	426	236	417	227
218.765	598	354	149	557	259	550	250
218.770	478	254	99	437	157	430	150

OPTIONALS

PORTLIGHT CODE	MOSQUITO NET CODE	DARKENING PANEL CODE	STORM COVER CODE
218.750	599.363	599.364	519.181
218.755	599.365	599.366	519.190
218.760	599.367	599.368	519.182
218.765	599.405	599.406	519.185
218.770	599.414	599.407	519.988

Portlights are supplied complete with standard outer frame for 30 to 40 mm bulkhead thickness; customised outer frames for other bulkhead thicknesses should be ordered directly from Nemo.

NEMO INDUSTRIE S.p.A.

via P. Togliatti, 1555
47025 Cella di Mercato Saraceno FC - Italy

ph: +39 0547 96567
fax: +39 0547 96526

nemo@nemoindustrie.com
www.nemoindustrie.com