

**SIMRAD**

# IS20

Multifunction Instruments  
for Sail & Power Yachts



New SimNet data bus and active transducer technology make the new IS20 instruments the perfect choice for cruisers, club racers and power boats.

# IS20 Multifunction Instruments for Sail & Power Yachts



The new IS20 multifunction instrument series features Simrad's revolutionary new SimNet data bus and active sensor technology, providing unsurpassed performance and ease of use.

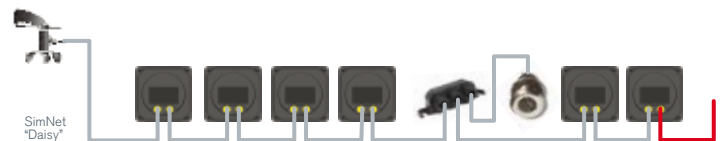
- Easy to see and use – a brand new high contrast LCD and large control buttons ensure simple operation in all conditions.
- Accurate – precision sensor technology provides raw data to advanced software at the instrument head for confidence in the data you see.

## Installation & Integration

Simrad IS20 instruments are easy to install, as you do not need to access the inside of a console or dashboard to attach the units. Simply remove the four corner caps and screw the instruments into the prepared space. Then replace the corner caps and you're done.

Integration and connection to sensors is just as simple, as the unique Simrad Intelligent Marine Network – SimNet – features plug and play operation and slim line connectors for easy cable routing, so you'll be up and running in very little time.

SimNet lets you 'daisy chain' the IS20 instrument and sensor in any order allowing you to use the most efficient cable runs possible when installing the system. This dramatically reduces installation time compared to traditional instrument systems



The DST800 SimNet sensor utilizes a brand new Active Sensor Technology, providing depth, temperature and speed data from a single thru-hull sensor and because the sensor operates via SimNet, you can connect it to any of the IS20 instruments regardless of location or function.

The IS20 Wind Vane provides wind speed and wind direction via SimNet, so just like the depth sensor, you can connect it to any of the IS20 instruments regardless of location or function and enjoy system wide wind data.

## IS20 Digital Instruments

The IS20 Digital instruments provide an assortment of graphic trend indicators and sophisticated navigation data on a large high contrast dot matrix display, providing easy viewing in any light condition.



### IS20 Graphic

The IS20 GRAPHIC is a new multi-functional instrument that's ideal as a dedicated instrument for any data to be read at distance in the cockpit or on the mast. The flexibility to quickly toggle between display pages makes the IS20 GRAPHIC the perfect universal performance instrument.

Choose from 8 user configurable easy to read data pages with multiple data types on one screen, including Speed, Depth, Wind, Log, Timer and Vessel Data.

The IS20 GRAPHIC instrument can also operate as a multifunction SimNet or NMEA0183 repeater for other products.



### IS20 Combi

The Combi System include the all in one DST800 active SimNet transducer, making it ideal as a stand alone Depth, Speed, Temp display for sail or power boats, or as part of a larger integrated IS20 multifunction system.

Four preconfigured data pages – providing a combination of easy to read Depth, Temperature, Speed and Trip Log data.

### Red or white backlight

All IS20 instrument dials and buttons are illuminated for dusk and night operation. Get great viewing clarity in low light or dusk conditions by selecting the white illumination. Keep your night vision intact by selecting the red backlight at night.

## IS20 Analog Instruments

The IS20 analog instruments provide classic style easy to read needle pointers and center mounted high contrast LCD display, combined with precise Micro Stepper-Motor technology and 4 control buttons, makes the IS20 Analog instruments exceptionally precise and easy to use.



### IS20 Wind

The IS20 analog wind system includes the IS20 high performance SimNet Wind Vane. A highly advanced Kalman filter insures superior accuracy and fast reaction time to changes in wind speed and direction.

- Apparent and True wind angle and wind speed
- VMG (Velocity Made Good)
- High performance SimNet Wind Vane
- Advanced Kalman Wind Filter
- SimNet Slim Line cables and connectors for easy installation



### IS20 Tack

The IS20 TACK instrument provides a magnified view of the wind angle and is a must for day cruisers and club racers when sailing close hauled.

- Apparent and True wind angle and wind speed
- VMG (Velocity Made Good)



### IS20 Compass

The IS20 COMPASS System provides a precise 360° analog and digital heading readout. Additionally the "Lock to Course Feature" enables display of cross track error (XTE).

- 360° analog compass readout
- Digital compass heading
- XTE (Cross Track Error)
- FC40 Fluxgate Compass sensor (Optional RC42 Rate Compass available)
- SimNet Slim Line cables and connectors for easy installation



### IS20 Rudder

The IS20 Rudder Instrument provides precise readout of rudder angle which makes it invaluable when docking your boat or use it to trim your boat to the least rudder resistance while sailing. The IS20 Rudder System includes the Rudder display and rudder angle sensor. Additionally the instrument is capable of displaying compass heading and cross track error when connected to the IS20 Compass system or a SimNet compatible autopilot.

# Technical specifications

Weight	0,3 kg (1.1 lbs)
Power supply	12V, 0.11A (1.3 W)
Color	Black

## Display

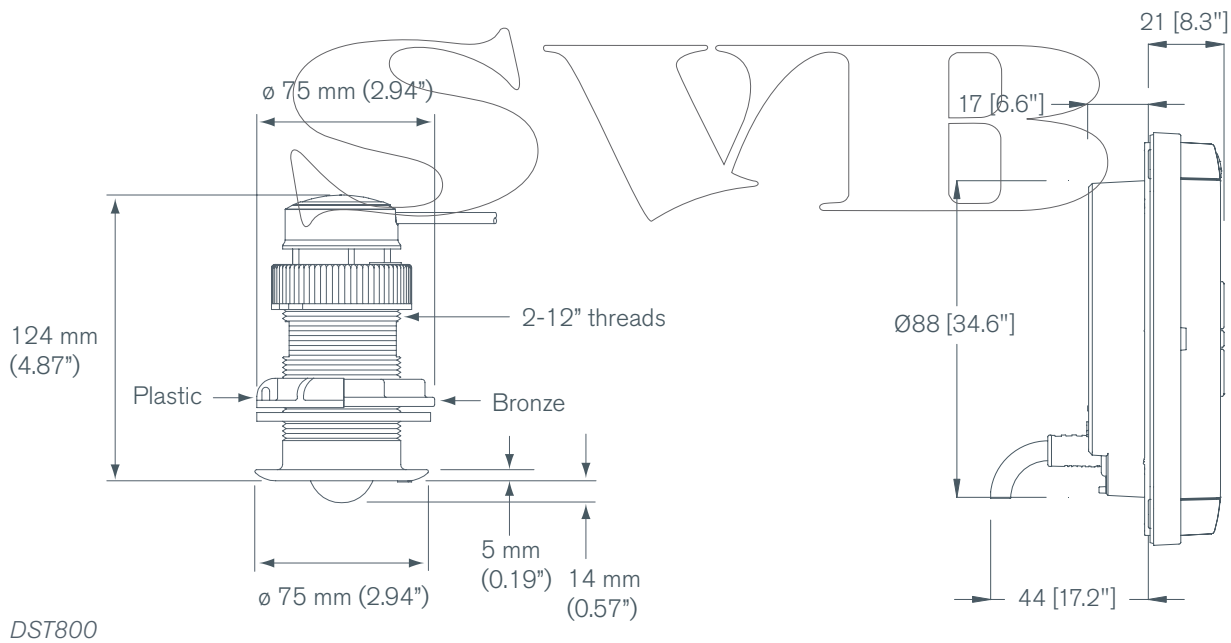
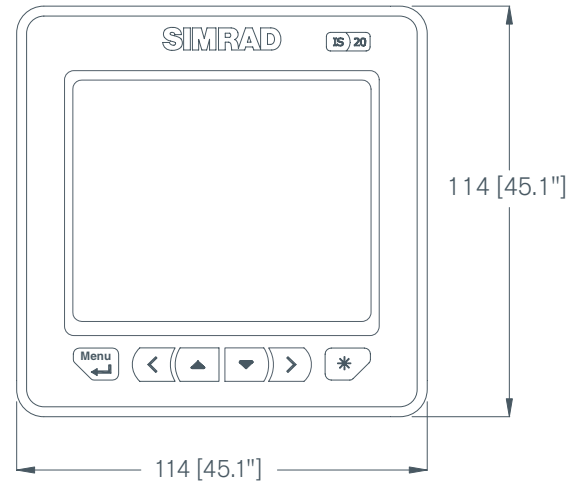
Type	Backlit LCD 4,5 inch matrix display
Resolution	130 x 104 pixels
Illumination (Red or white)	Adjustable in 10 steps

## Environmental protection

Front	IP56
Safe distance to compass	0.3 m (1.0 ft.)

## Temperature

Operating	0 to +55 °C (+32 to +130 °F)
Storage	-30 to +70 °C (-22 to +158 °F)



DST800

Dimensions are the same for all the IS20 instruments