












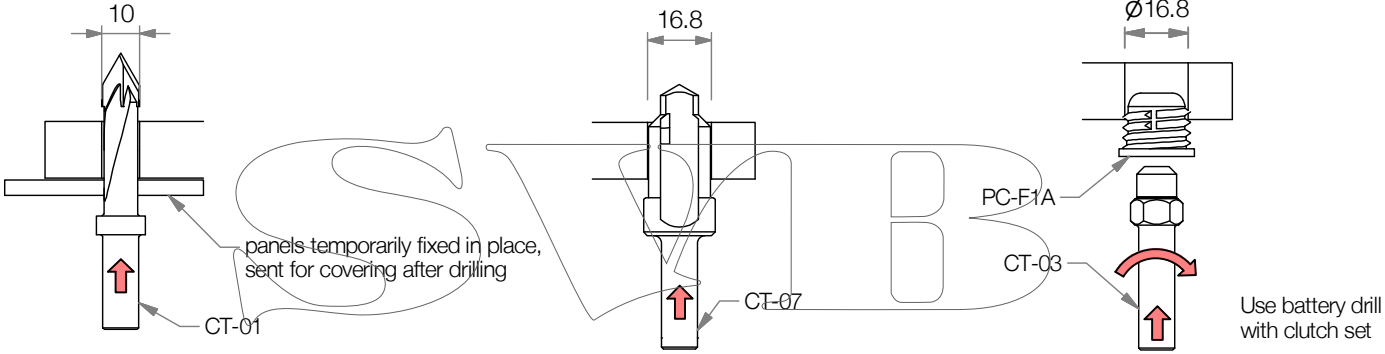
PC-F1A Self tapping female (page 1 of 2)

	USE WITH:			INSTALL WITH:			
	PC-M1A  PC-M2H 	PC-VM1  PC-VM1H 	PC-SM2  PC-SM2H 	CT-01 	CT-03 	CT-07 	CT-10 
INSTALLATION STEPS <small>(see reverse for more options)</small>							

1 Drill hole through panel & frame

2 Drill out frame hole with CT-07

3 Screw fit PC-F1 with CT-03



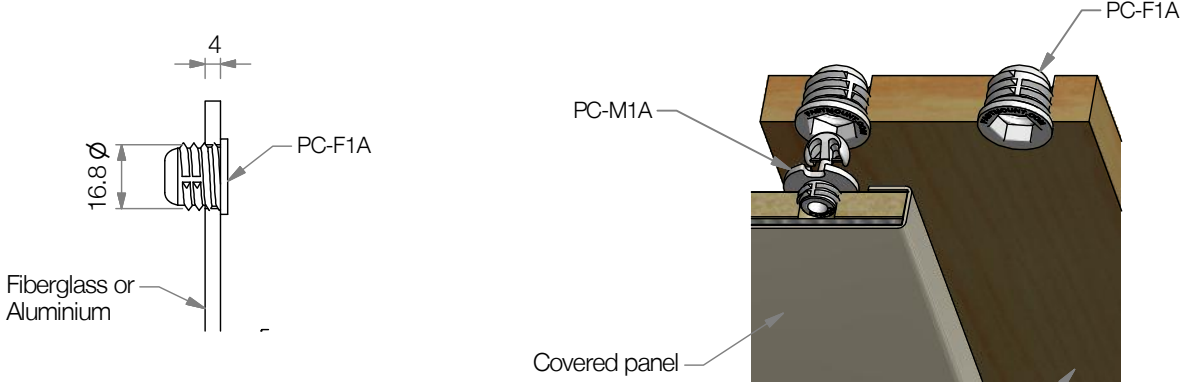
panels temporarily fixed in place, sent for covering after drilling

Use battery drill with clutch set

NB. CT-12 to CSK hole edge in hard material (1-2mm)

4 Screw fit PC-F1 into thin frame

5 Cutaway view showing panel mounting














Fiberglass or Aluminium

Covered panel

Support frame

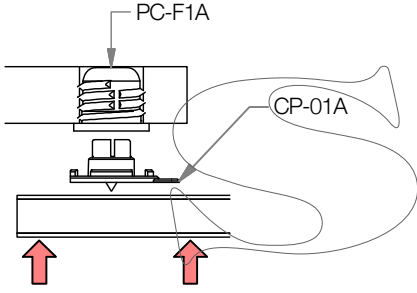
PC-F1A can be used as screw / friction fit into thin frames & seat backs

PC-F1A Self tapping female (page 2)

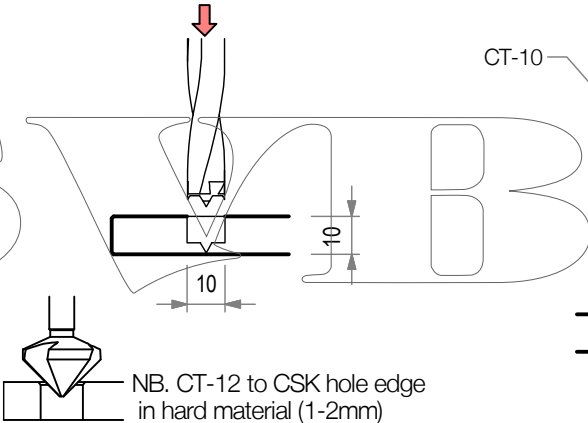
	USE WITH:			INSTALL WITH:			
	PC-M1A 	PC-VM1 	PC-SM2 	CP-01A  or CP01ST	CT-07 	CT-09 	CT-10 
	PC-M2H 	PC-VM1H 	PC-SM2H 				

INSTALLATION STEPS (continued from previous page)

1 Fit CP-01A into PC-F1A then push panel to mark center

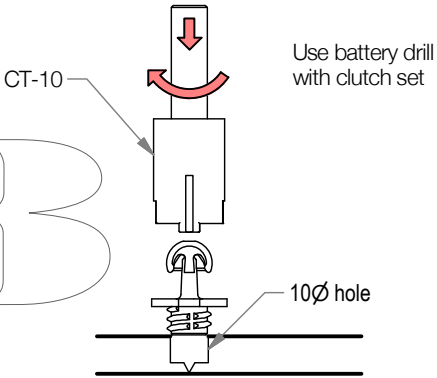


2 Drill panel on center mark with CT-09 7.5mm deep for PC-M2H



NB. CT-12 to CSK hole edge in hard material (1-2mm)

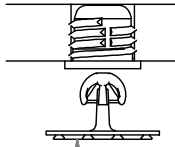
3 Screw fit male clip with CT-10



Use battery drill with clutch set

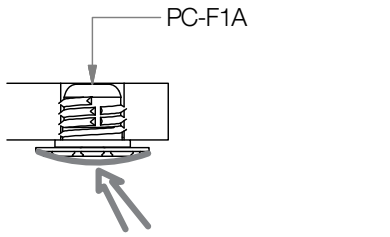
INSTALLING ADHESIVE FIT MALE CLIPS (first complete steps 1 to 3, page 1)

4 Clip PC-SM2 into PC-F1A



PC-SM2 or PC-SM2H

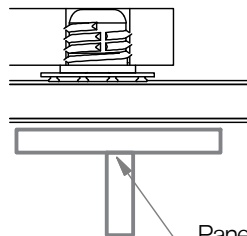
5 Apply adhesive to PC-SM2



PC-F1A

FM Super-groove adhesive

6 Place panel & support while adhesive dries



Panel propped in place