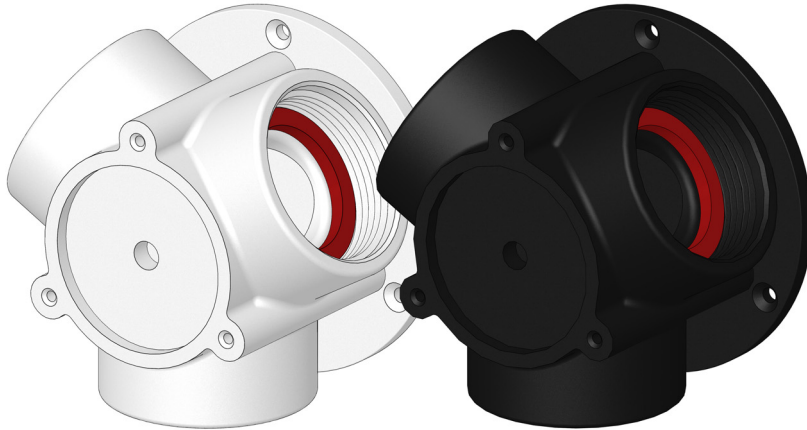


3 WAY CONNECTER

The Tru-Design 3 Way Connector is a versatile method of combining different diameter piping in a complex marine plumbing arrangement.

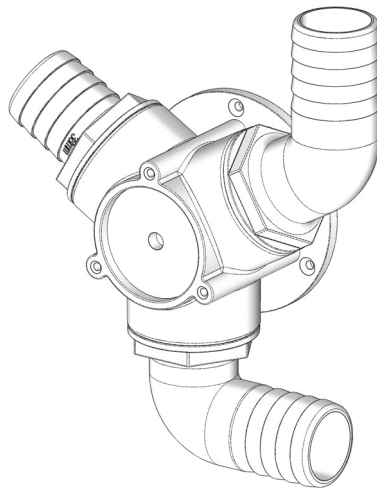


The 3 Way Connector utilises the range of fittings developed for the Aquavalue to create a highly versatile connector with many uses.

The Tru-Design 3 Way Connector is moulded from a glass reinforced nylon composite. High strength, high-modulus glass fibres impregnated into the nylon provides dramatic strength, stiffness, toughness, and dimensional stability.

MODELS

Part #	Description
90300	Connector 3 Way White
90268	Connector 3 Way Black

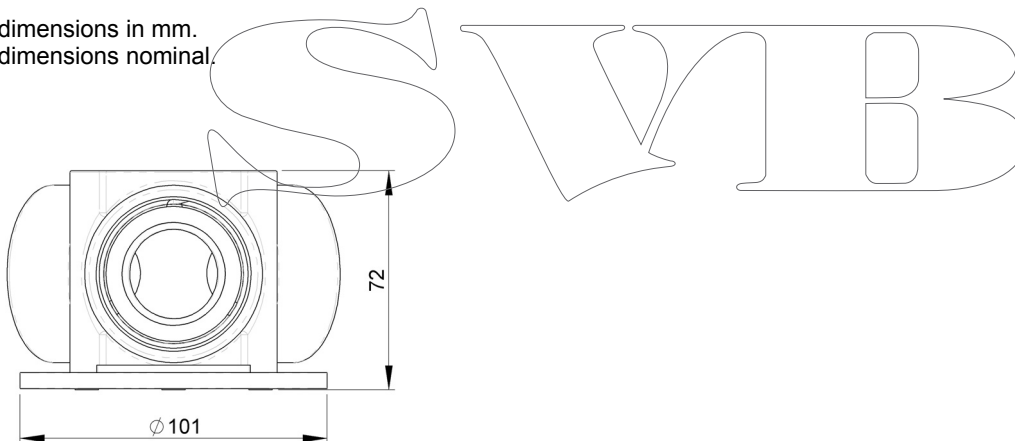


KEY FEATURES

Feature :	
Manufactured from a glass reinforced nylon composite	High strength and light weight.
Stainless steel fasteners	Will not corrode in salt laden air.
Easy installation	With a range of straight, 90° and 120° tails, and two seal options, plumbing in confined spaces is made easy.
Secure mounting	Base can be screwed to bulkhead or hull.
Available in black or white	Fits in with colour schemes in plumbing areas allowing easy identification of components.
Composite spanner included	Avoids using pipe wrenches that gouge the fitting. Facilitates access in tight places.
Large operating temperature range	Suitable for all marine environments, from -40°C to +110°C

DIMENSIONS

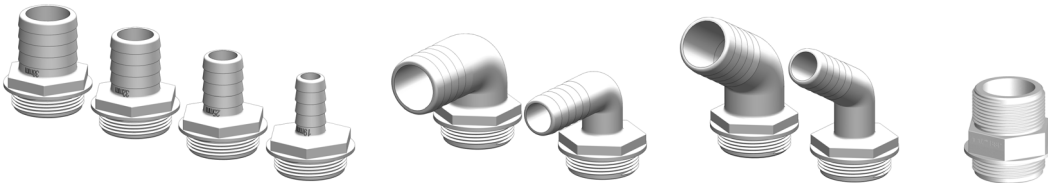
All dimensions in mm.
All dimensions nominal.



INSTALLATION

The Tru-Design 3 Way Connector is extremely versatile. Full Installation instructions are supplied with each 3 Way Connector.

A large range of Tails is available to suit individual plumbing layouts, and piping sizes. When combined with the seals supplied, fittings can be oriented to suit the confined spaces encountered in marine plumbing.



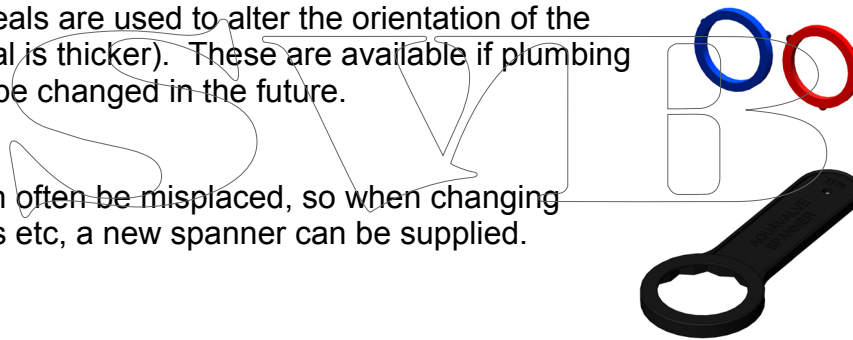
For the full range of Accessories see *PIS – Aquavalue Accessories*

SERVICING

As the composite body is immune to corrosion, minimal servicing is required.

Red and Blue Seals are used to alter the orientation of the fittings (Blue Seal is thicker). These are available if plumbing layouts need to be changed in the future.

The spanner can often be misplaced, so when changing plumbing layouts etc, a new spanner can be supplied.



Part #	Description
90317	Spanner Aquavalue
90475	Aquavalue Red Seal
90327	Aquavalue Blue Seal

Tru-Design Plastics Ltd. accepts no responsibility for Products which are improperly installed or tampered with. Although the information presented in this product information sheet is believed to be accurate and reliable, no responsibility for inaccuracies can be assumed by Tru-Design Plastics Ltd. This performance data is typical only and variations due to component manufacturing tolerances are normal. Tru-Design Plastics Ltd. reserves the right at any time to change performance characteristics or specifications without prior notice.
Tru-Design Plastics Ltd, all rights reserved.