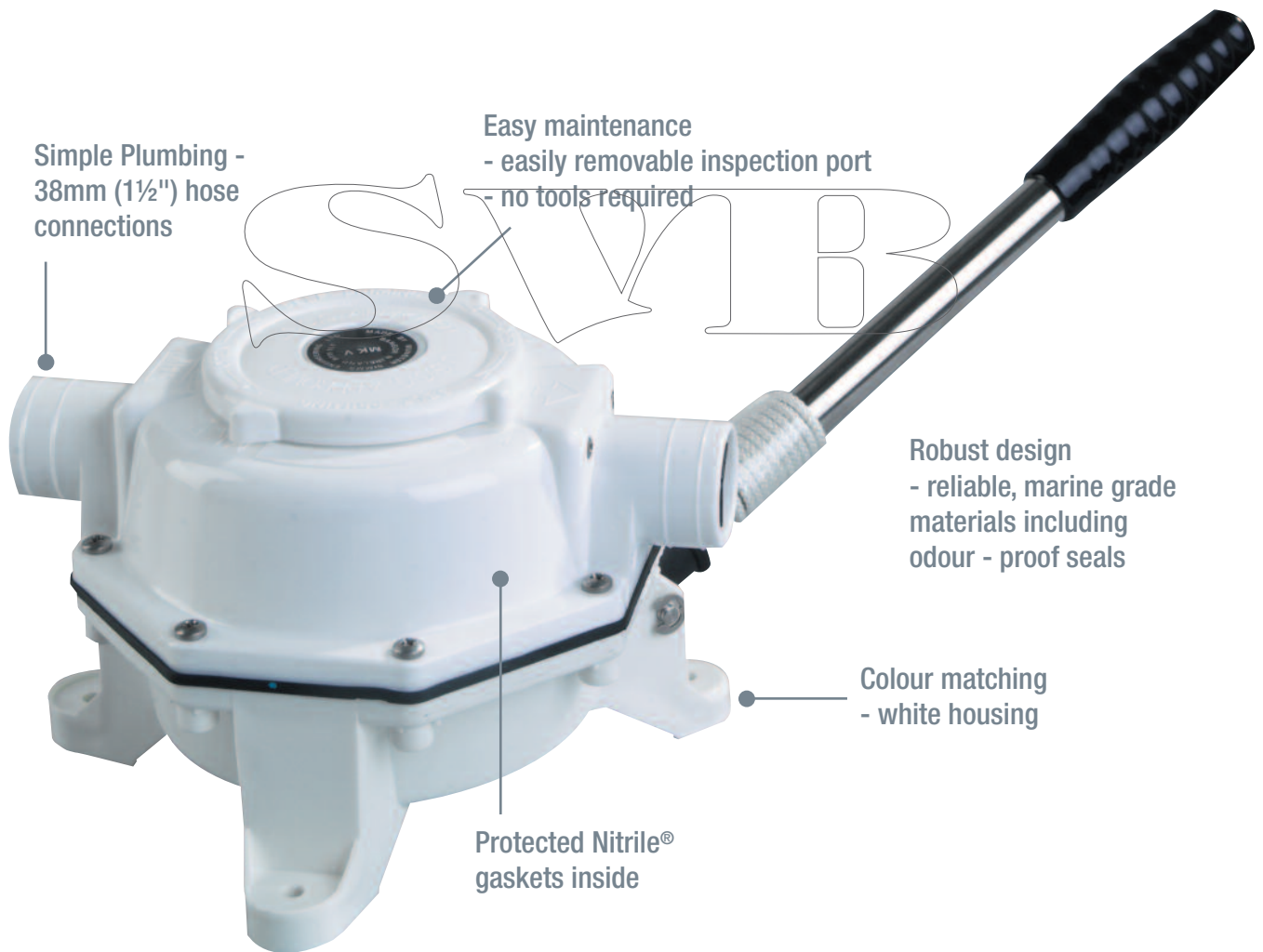


Mark V – Manual Sanitation Pump

The manual black waste pump designed for toilet flush, or holding tank pump out

Designed to ensure total reliability in black waste pump out. Totally sealed unit ensures no nasty odours



Maximum Performance - Wide Hose Connections 38 mm (1½”), 66 ltrs (17.5 US gals) Per Minute

- Tough plastic housing keeps in nasty smells
- Large virtually non-block valves
- Easy to clean (no tools required)
- Maximum performance - wide hose connections 38 mm (1½”), 66 ltrs (17.5 US gals) per minute
- Lightweight design for easy operation

5 Year Warranty

Tips

Ideal for use in conjunction with Whale's robust and durable Diverter Valve 1 ½” ports – DV5606 - page 124

YOU MAY ALSO LIKE

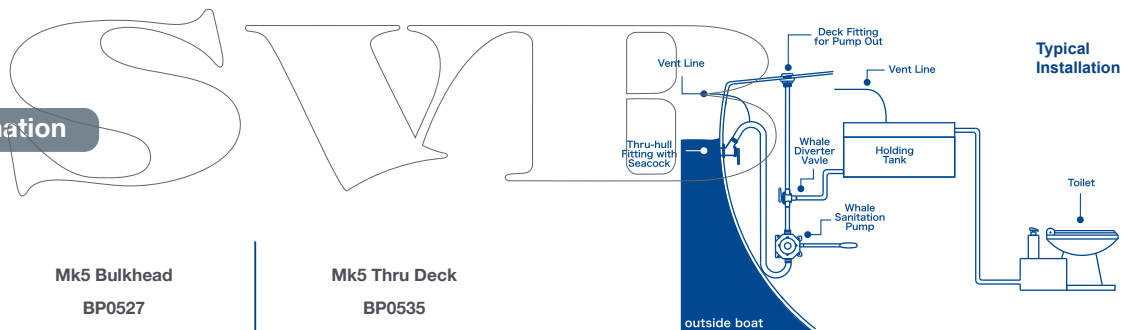
Gulper Toilet Pump – Electric Black Waste Pump – page 120

Bilge IC – Pre-wired Automatic bilge system with intelligent control built in – page 24

Grey IC and Gulley IC – Automatic Grey waste pump kits with automatic intelligent control built in –pages 96-99



Product Information



Model Specifications

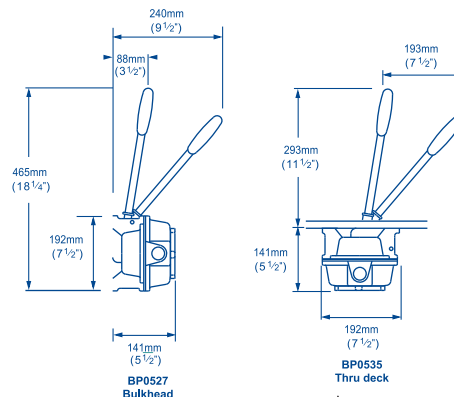
Model	Mk5 Bulkhead	Mk5 Thru Deck
Product Code	BP0527	BP0535
Weight	1.17 kg (2.6 lbs)	
Hose Connections	38 mm (1½”) Hose Connections	
Materials	Pump Body: Glass-filled Polypropylene, Acetal Diaphragm and Seals: Nitrile®, Operating Lever: Glass-filled Nylon Handle, Spring and Fasteners: Stainless Steel	
Materials In Contact With Fluid	Glass-filled Polypropylene, Acetal, Nitrile, Stainless Steel	
Service Kit	AK8050 - Service Kit for Mk5 Sanitation Contains: Diaphragms, Valves and Circlips	
Accessories	DP9905 - Deck Ring - for BP0535 only, DP9906 - Conversion Kit	
Maximum Suction Lift	4.5 m (15 ft)	
Maximum Discharge Head	4.5 m (15 ft)	

Performance Data

Suction Lift	1 m (3 ft)
Discharge Head	0.5 m (1.5 ft)
45 Strokes per Minute	42 ltrs (11 US gals)
70 Strokes per Minute	66 ltrs (17.5 US gals)

Note: These specifications are retail items only.
For details of our bulk pack range for boat builders and wholesalers - contact Whale Support.

Note: Where discharge is below the water line, a siphon break must be fitted.



WARNING

It is important to ensure that a siphon break is fitted, where discharge is below the water line.