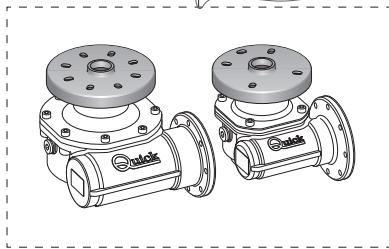




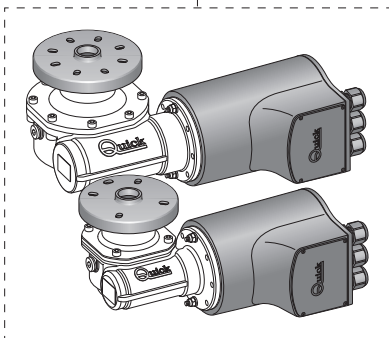
N.	OSP DESCRIPTION	CODE			
1	OSP DRUM BUSH "SERIES DP3"	FVSSGMSDP300000	16 A	OSP GEARBOX 1000W WINDL QUICK TG50	FVSSMR10TG50A00
2	OSP WINDLASS DRUM 1000W DP3	FVSSMSE10DP3A00	16 B	OSP GEARBOX 1500W WINDL QUICK TG70	FVSSMR15TG70A00
3	OSP WINDLASS DRUM 1000W COMPLET R03	FVSSMSE10000A03	17 A	OSP MOTORGARBOX 700W 12V QUICK	FVSSR0712Q00A00
4 A	OSP TOP DP3 D 8MM-5/16"	FVSTDP3D008A00	17 B	OSP MOTORGARBOX 700W 24V QUICK	FVSSR0724Q00A00
4 B	OSP TOP DP3 D 10MM-3/8"	FVSTDP3D010A00	17 C	OSP MOTORGARBOX 1000W 12V QUICK	FVSSR1012Q00A00
5	OSP SHAFT DP3 D KIT	FVSSADP300D0A00	17 D	OSP MOTORGARBOX 1000W 24V QUICK	FVSSR1024Q00A00
6	OSP BENT ANCHOR WINCH LEVER R01	FVSSLVSP00R1A00	17 E	OSP MOTORGARBOX 1500W 12V QUICK	FVSSR1512Q00A00
7	OPS GYPSY COVER 1000W	FVSSCPBBA100A00	17 F	OSP MOTORGARBOX 1500W 24V QUICK	FVSSR1524Q00A00
8 A	OSP TOP DP3 8MM-5/16"	FVSTDP30008A00	18 A	OSP ELECTRIC MOTOR WINDL 700W 12V	FVSSM0712000A00
8 B	OSP TOP DP3 10MM-3/8"	FVSTDP30010A00	18 B	OSP ELECTRIC MOTOR WINDL 700W 24V	FVSSM0724000A00
9	OSP SHAFT KIT DP3	FVSSADP30000A00	18 C	OSP ELECTRIC MOTOR WINDL 1000W 12V	FVSSM1012000A00
10	OSP CHAIN GUIDE COVER KIT DP3	FVSSPCSDP30A00	18 D	OSP ELECTRIC MOTOR WINDL 1000W 24V	FVSSM1024000A00
11	OSP PRESSURE LEVER DP3 KIT	FVSTCDP3000A00	18 E	OSP ELECTRIC MOTOR WINDL 1500W 12V	FVSSM1512000A00
12	OSP CHAIN PIPE DP3 KIT	FVSSPCSDP300A00	18 F	OSP ELECTRIC MOTOR WINDL 1500W 24V	FVSSM1524000A00
13	OSP 8MM-5/16" GYPSY DP3	FVSSBDP38516A00			
14	OSP CLUTCH CONES DP3	FVSSCFANHC00A00			
15	OSP WINDLASS BASE SERIS DP3 COMP	FVSSBDP310C00A00			

SVIB

16



17



18

