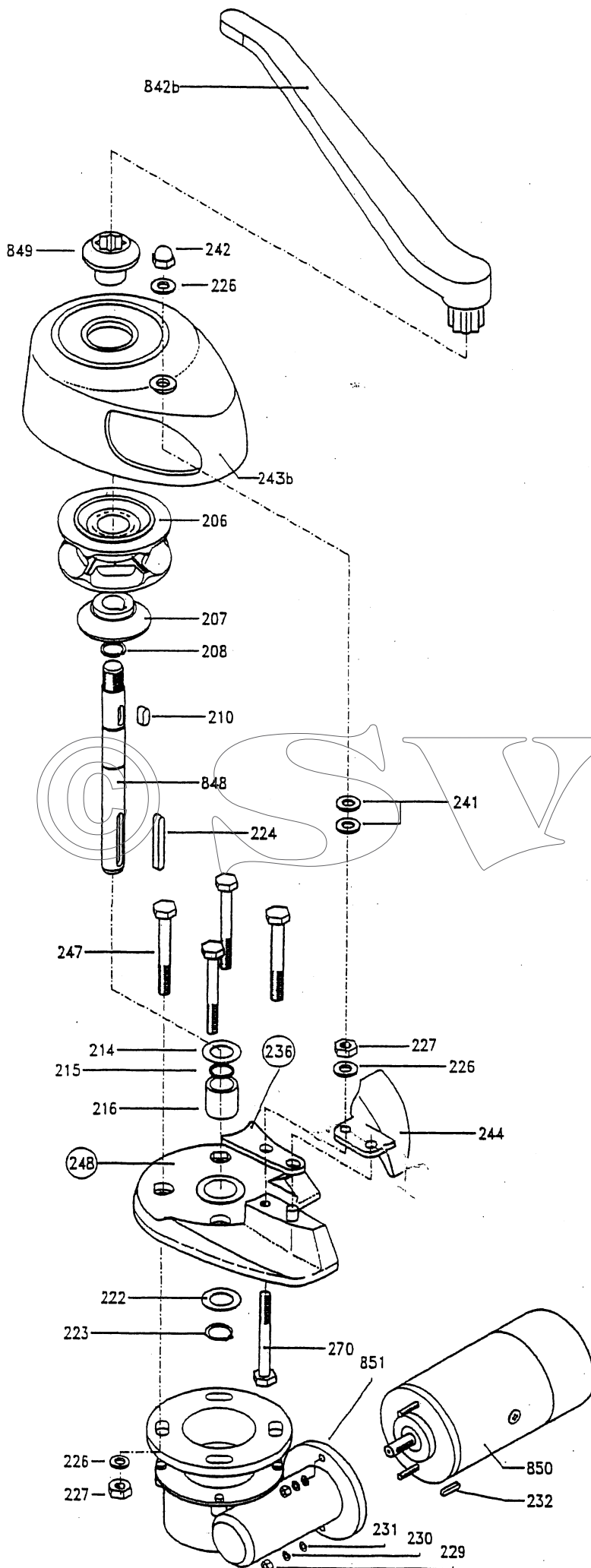


Master Winch

**DINAMYC**

code: M.03.101

date: January 2001



PARTS LIST

Item nr.	Description	Q.ty
206	Gipsy	1
207	Clutch cone - inner	1
208	Circlip A 18 DIN 7993	1
210	Key 6x6x15	1
214	Washer	1
215	O Ring seal 2068	1
216	Bush	1
222	Washer	1
223	Circlip 18 DIN 471	1
224	Key 6x6x45	1
226	Washer Ø8	6
227	Nut M8	5
229	Nut M5	2
230	Spring washer Ø5	2
231	Washer Ø5	2
232	Key 4x4x15	1
236	Stripper	1
241	Nylon washer Ø8	2
242	Cap nut M8	1
243b	Nylon cover	1
244	Cover	1
247	Hex hd screw M8x60	4
248	Base	1
270	Hex hd screw M8x65	1
842b	Handle	1
848	Main shaft	1
849	Nut	1
850	Electric motor	1
851	Gearbox	1