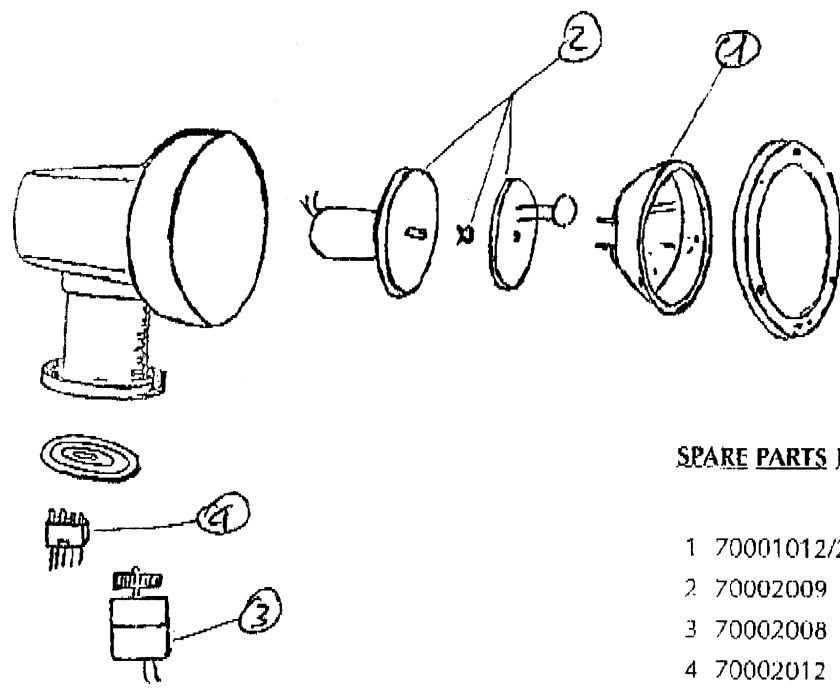


ELECTRIC MARINE SPOTLIGHT

EXPLODED VIEW



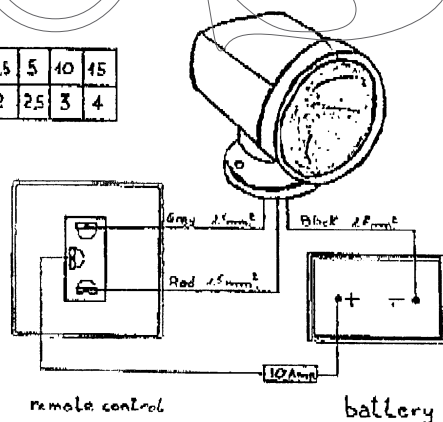
SPARE PARTS LIST

- 1 70001012/24 SEALED BEAM 12 V. / 24 V.
- 2 70002009 BODY MOTOR
- 3 70002008 BASE MOTOR
- 4 70002012 BRUSHES
- 5 70000112/24 CONTROL PANEL 12 V. / 24 V.

ELECTRICAL CONNECTIONS

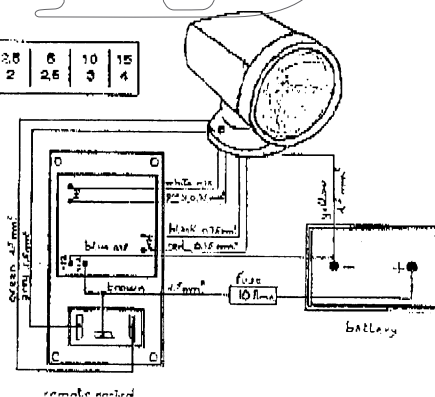
MANUAL MODEL

meters	4	2,5	5	10	15
mm ²	4,5	2	2,5	3	4



ELECTRIC MODEL

METERS	1	2,5	5	10	15
mm ²	1,5	2	2,5	3	4



Connect black wire to the negative pole of the battery.
 Connect red and grey wires at the external switch contacts.
 Connect the middle switch contact to the positive pole of the battery.

ELECTRICAL CONNECTIONS ON SWITCH PANEL

Connect brown wire and the central contact switch to positive pole of battery with a 10 A. fuse.
 Connect blue wire to negative pole of battery.
 Connect yellow wire to negative pole of battery.
 Connect white, grey, red and black thin wires to the respective terminal on the panel and grey and green wires at the switch contacts marked "ON".

VERY IMPORTANT DO NOT MOVE MANUALLY THE SPOTLIGHT.