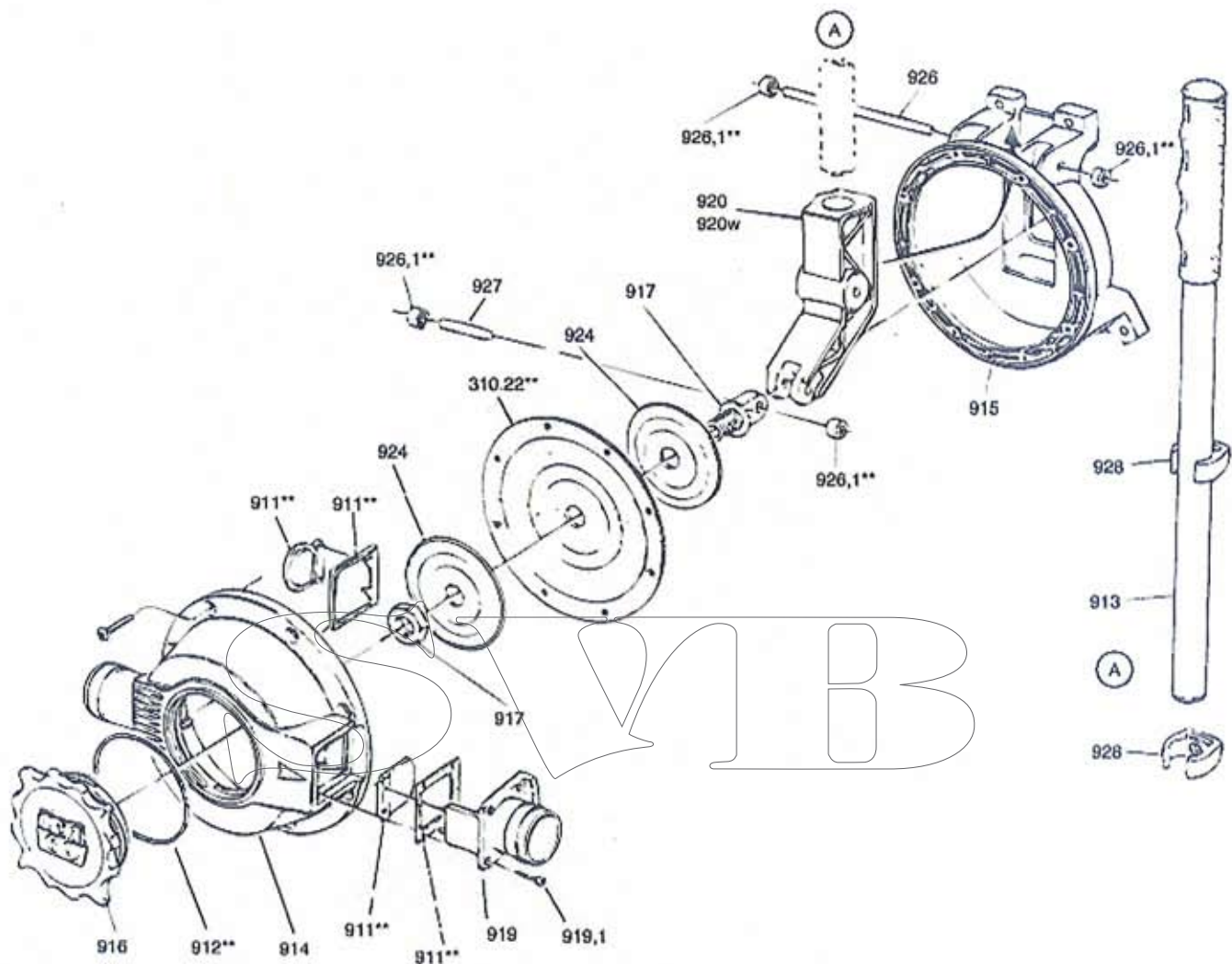


BILGEPUMP SENIOR A

Technical specifications



| Partsn. | Description |
|----------|-------------------|
| 310.22** | Membrane |
| 911** | Valve set |
| 912** | O-ring |
| 913 | Handle |
| 914 | Pump body black |
| 915 | Pump base black |
| 916 | Screw cap black |
| 917 | Bolt + nut |
| 918 | Rubber manchet |
| 919 | Valve cover black |
| 922 | Lever |
| 921** | Repairkit |