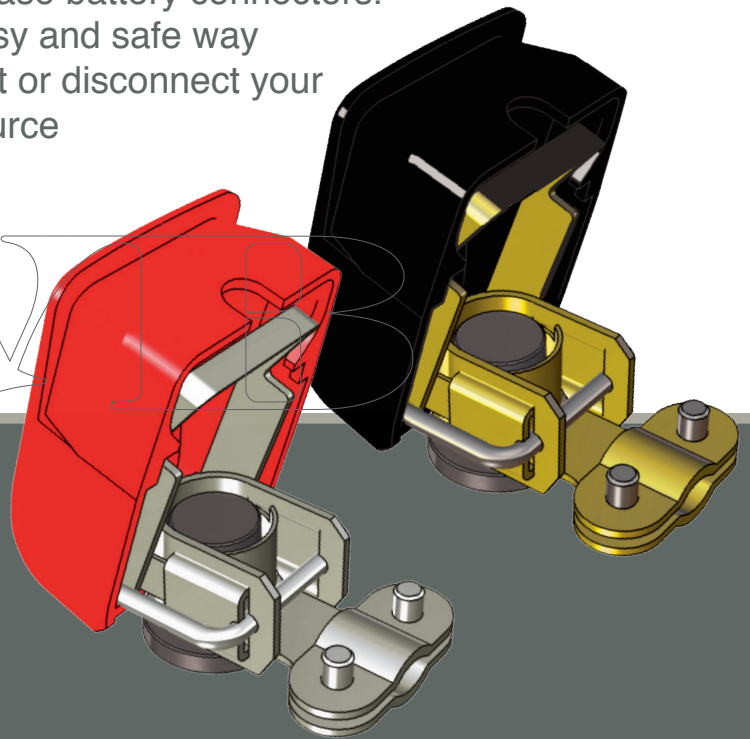


Produced and assembled in Sweden



# QUICK POWER BATTERY CONNECTORS

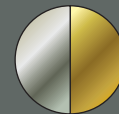
Quick Power are robust quick release battery connectors. A fast, easy and safe way to connect or disconnect your power source



## APPLICATIONS

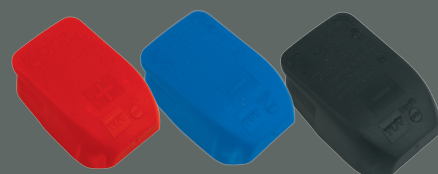


Quick Power battery connectors fits SAE or DIN standard starter batteries or vehicle batteries. Connectors can be used for cars, trucks, buses, boats, caravans, motor homes and special applications such as solar cells, mobile generator sets, electric vehicles, construction or laboratory equipment.



Quick Power 12  $\mu$ m tin-plated brass for Marine or more demanding environments

Quick Power in solid brass for utility use



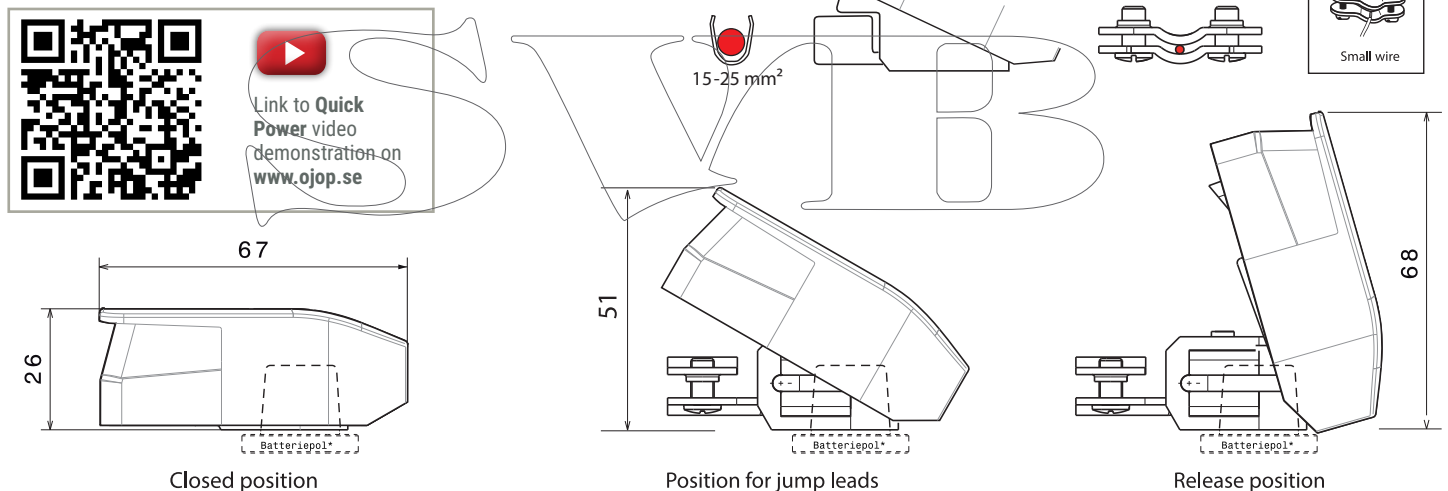
**Quick Power** are robust quick release battery connectors.

## PRODUCT BENEFITS

- The battery can be connected or disconnected in a few seconds, while connectors durability are equivalent to those designed for permanent connection.
- No tools are needed.
- The design is ideal for tight confined spaces where installation can be challenging.
- Connectors plastic covers eliminate risk of electric shock and protect battery poles.
- Corrosion-resistant materials.
- Connectors designed to accomodate jump cables while connected to the battery.
- Quick Power can also serve as safe and reliable master switches, providing additional security.

## CONNECTION AND JUMPING INSTRUCTIONS

Lift cover completely to disconnect power and close completely to connect power.  
Lift cover to first position to attach jumper cables.



**Quick Power** battery connectors are the only products of this type on the market to be certified by TÜV. They are widely used professionally in industrial applications as well as in households for personal use.



*Produced and assembled in Sweden*

<b>Material:</b>	Stainless steel 316, polypropylene and copper alloy – on demand tin-plated 12 microns.
<b>Net weight:</b>	170 grams, 6 oz. per pair.
<b>Batteries:</b>	Fits all SAE and DIN standard batteries.
<b>Resistance:</b>	Approx. 0.12 $\mu\Omega$ at 10 A. Certified to be safe up to 800 A. Cable cross-section approx. 35 mm <sup>2</sup> , bolted connector. American wire gauge no. 1 – 2.

Address: Pressargatan 11, 632 29 ESKILSTUNA, SWEDEN  
Switchboard phone: +46 (0)16 14 73 50  
Fax: +46 (0)16 12 14 11  
info@ojopsweden.se

[www.ojopsweden.se](http://www.ojopsweden.se)

Publisher: Ojop Sweden AB. October 2015.

This catalog is protected by copyright. Any reproduction, even partial, is permitted only with explicit permission of the publisher. Subject to technical changes.