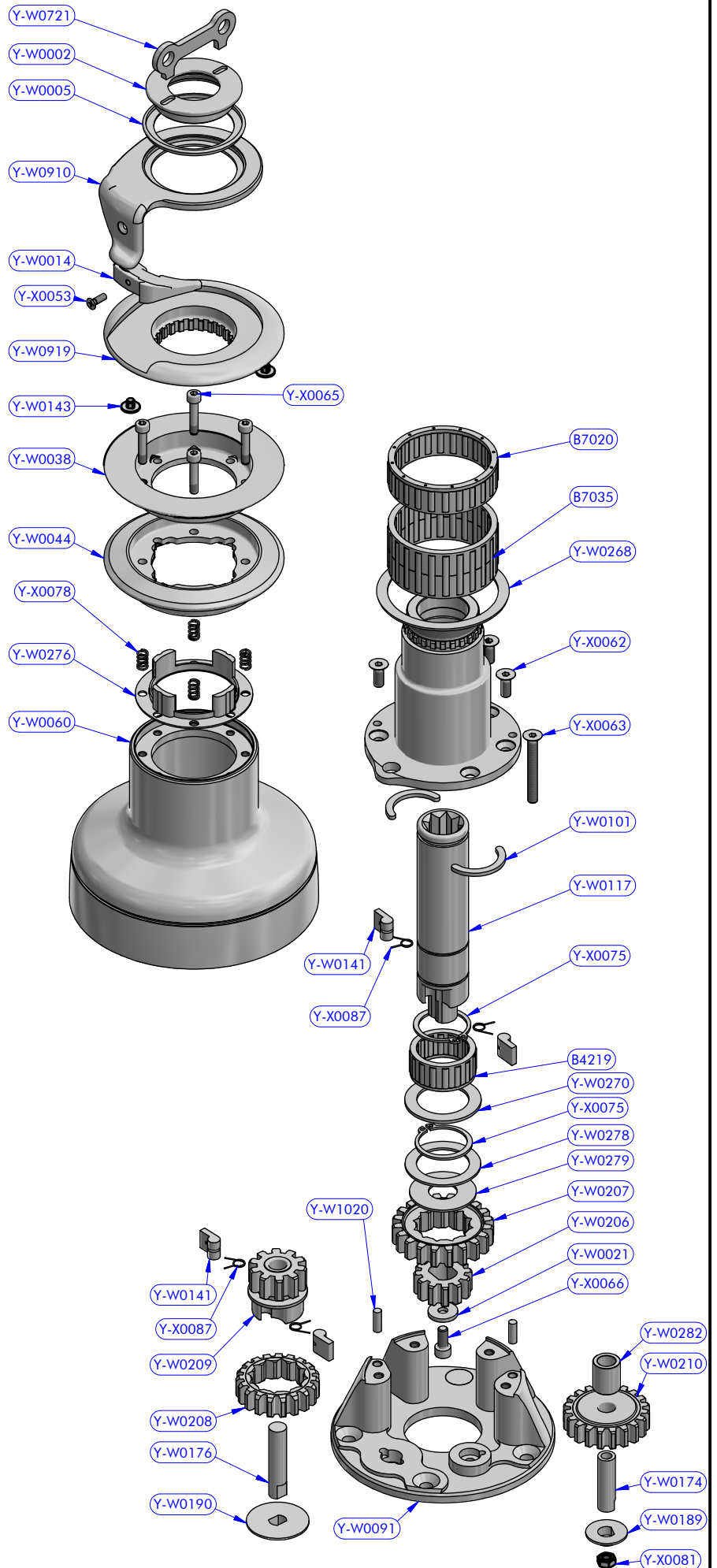


PART LIST			
CODE	DESCRIPTION	MATERIAL	Q.TY
B4219	Roller bearing	Plastic / S.Steel	1
B7020	Roller bearing	Plastic / S.Steel	1
B7035	Roller bearing	Plastic / S.Steel	1
Y-W0002	Upper ring	S.Steel	1
Y-W0005	Upper ring washer	Plastic	1
Y-W0014	Stripper	Plastic	1
Y-W0021	Washer	S.Steel	1
Y-W0038	ST central disk	Aluminium	1
Y-W0044	ST lower disk	Aluminium	1
Y-W0060	Drum	Aluminium	1
Y-W0074	Stem	Brass	1
Y-W0091	Base	Aluminium	1
Y-W0101	Half-ring	Brass	2
Y-W0117	Main shaft	S.Steel	1
Y-W0141	Pawl	S.Steel	4
Y-W0143	ST plug	Plastic	3
Y-W0174	Gear spindle	S.Steel	1
Y-W0176	Gear spindle	S.Steel	1
Y-W0189	Gear lower washer	Plastic	1
Y-W0190	Spindle washer (lower)	Plastic	1
Y-W0206	Gear "A1"	Bronze	1
Y-W0207	Gear "A2"	Bronze	1
Y-W0208	Gear "B1"	Bronze	1
Y-W0209	Gear "B2"	Bronze	1
Y-W0210	Gear "D1"	Bronze	1
Y-W0268	Drum washer	Plastic	1
Y-W0270	Shaft washer	S.Steel	1
Y-W0276	ST disk spacer	Plastic	1
Y-W0278	Platic washer	Plastic	1
Y-W0279	Washer	S.Steel	1
Y-W0282	Pipe spacer	S.Steel	1
Y-W0721	Opening tool	S.Steel	1
Y-W0910	ST arm	Aluminium	1
Y-W0919	ST upper disk	Aluminium	1
Y-W1020	Spindle	S.Steel	2
Y-X0053	Screw	S.Steel	1
Y-X0062	Screw	S.Steel	4
Y-X0063	Screw	S.Steel	1
Y-X0065	Screw	S.Steel	4
Y-X0066	Screw	S.Steel	1
Y-X0075	Circlip (Seeger)	S.Steel	2
Y-X0078	Compression spring	S.Steel	4
Y-X0081	Nut	S.Steel	1
Y-X0087	Pawl spring	S.Steel	4



**antal**

FAMILY XT series

ARTICLE Exploded view

MODEL CODE XT40/AL

DATE 16/11/2018

REV. 03

DESCRIPTION

Exploded view

MODEL CODE

DWG N. 18111603

PG. 1 / 1