
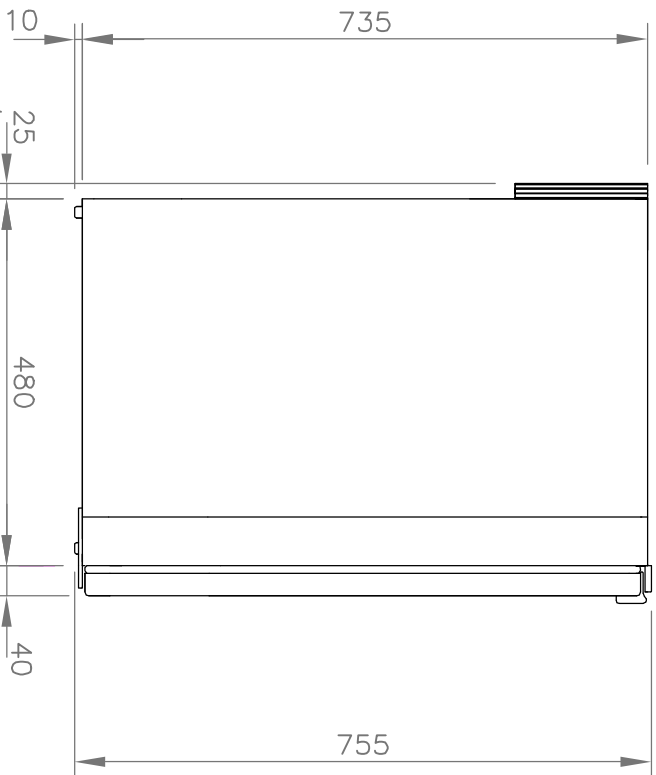
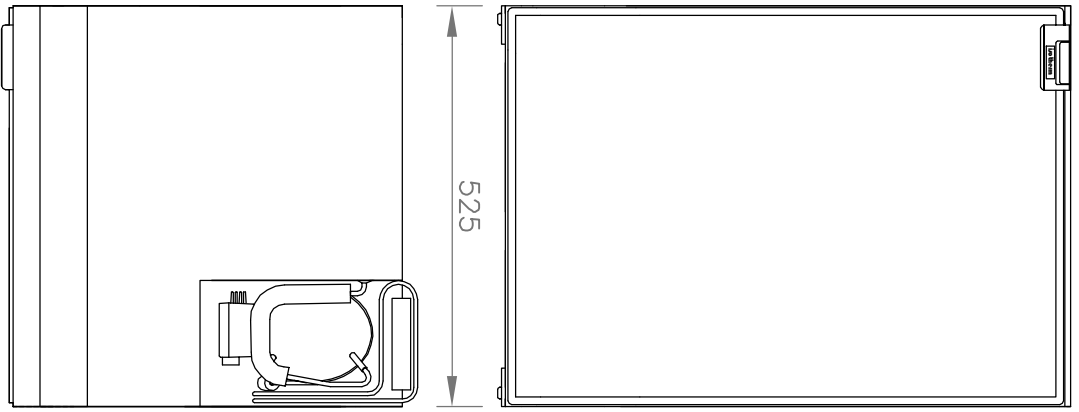


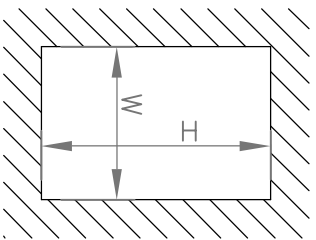
Installation dimensions
Inbyggnadsmått

RevNo	Revision	note	Date	Signature	Checked
-------	----------	------	------	-----------	---------

Design	Quantity	Title/Item, description, material, dimension etc		Article No./Reference
Designed by	Checked by	Approved by - date	Released	Date
			Isotherm Isotherm Cruise 100	961108/LLG
Order	Drilling number	CR100	Edition	Sheet



Can be reduced to 15
by compressor replacement



Mounting hole
Cut-out

Dims. mm	WXH
Nominal	525x745

Rev/No
Revision note

Date

Signature
Checked

Rev/No	Quantity	Title/Name, designation, material, dimension etc	Article No./Reference
Designed by	Checked by	Approved by - date	Date
Drawn by	Checked by	Approved by - date	Date
Rev/No	Title/Name	Revision	Scale

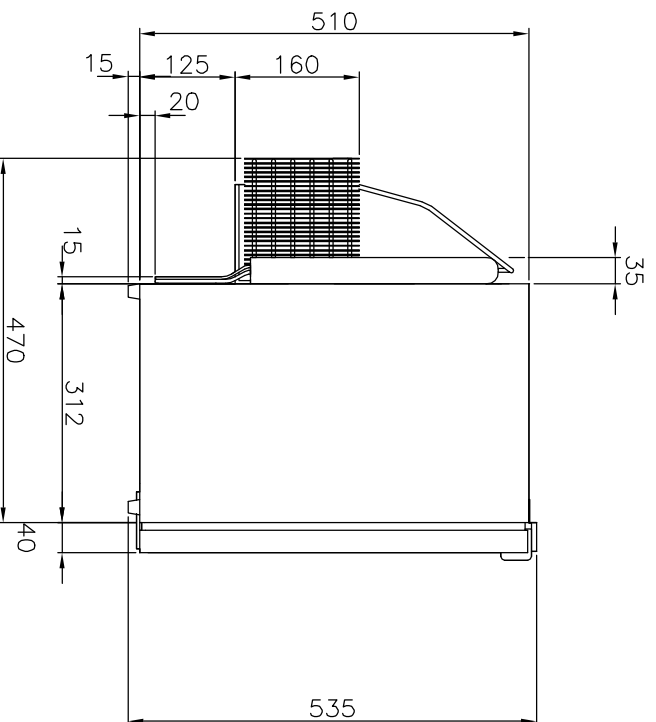
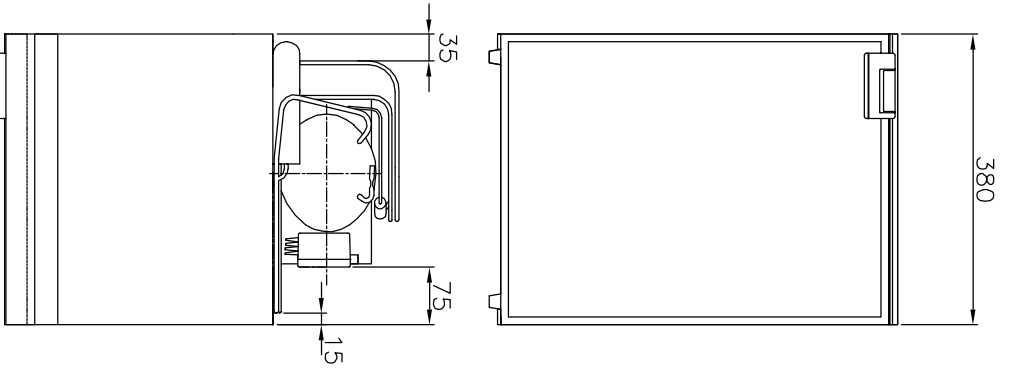


ISO
Isotherm Cruise 130

Drawing number
CR130



Edition

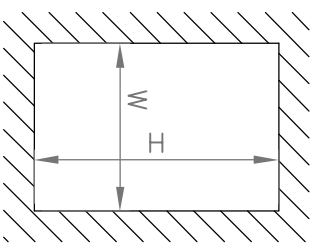
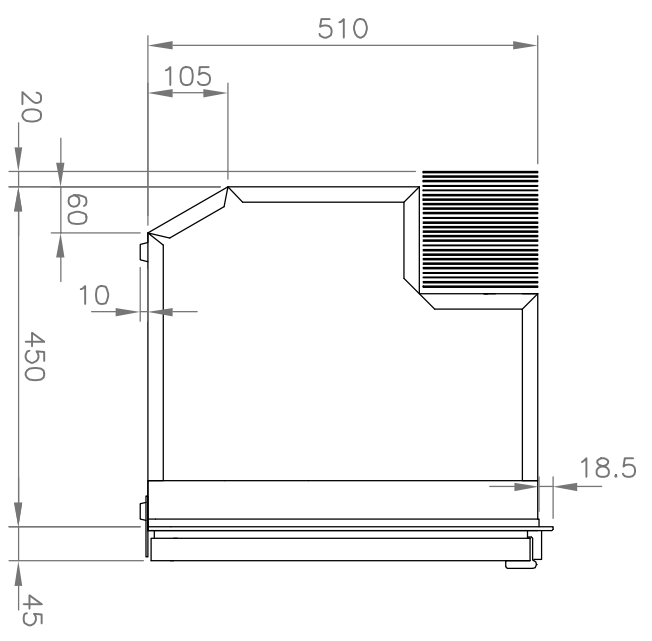
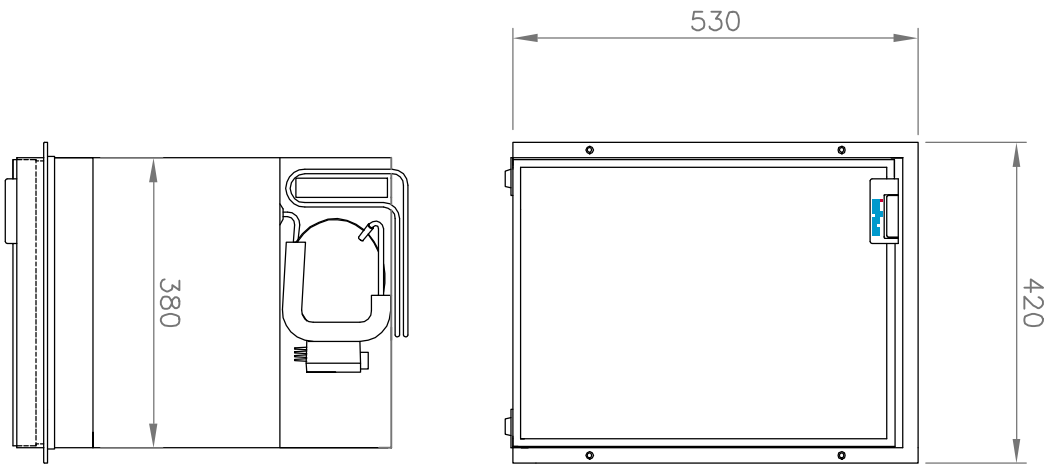
Sheet



Installation dimensions
Inbyggnadsmått

RevNo	Revision	note	Date	Signature	Checked
-------	----------	------	------	-----------	---------

Order	Brand	Quantity	Title/Name, designation, material, dimension etc	Article No./Reference
Designed by	Checked by	Approved by - date	Released by	Date
Owner	Released by	Approved by - date	Released by	Date
			Title/Name	Scale
			Article No./Reference	Scale
Drawing number	Isotherm Cruise 42		Date	Scale
CR42			011016/LLG	
Edition				
Sheet				



Mounting hole
Cut-out

Dims. mm	WxH
Nominal	390x525
Min	380x520
Max	415x535

Standard mounting frame

Revised	Quantity	Title/Name, designation, material, dimension etc	Article No./Reference
Designed by	Checked by	Approved by - date	Date
			001129/LL6
Owner	Title/Name	Article No./Reference	
	Isotherm Cruise 49		

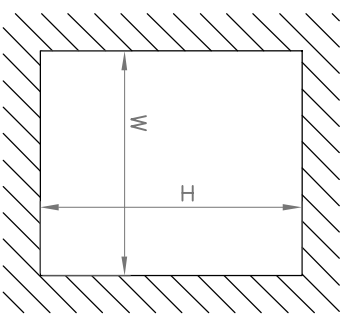
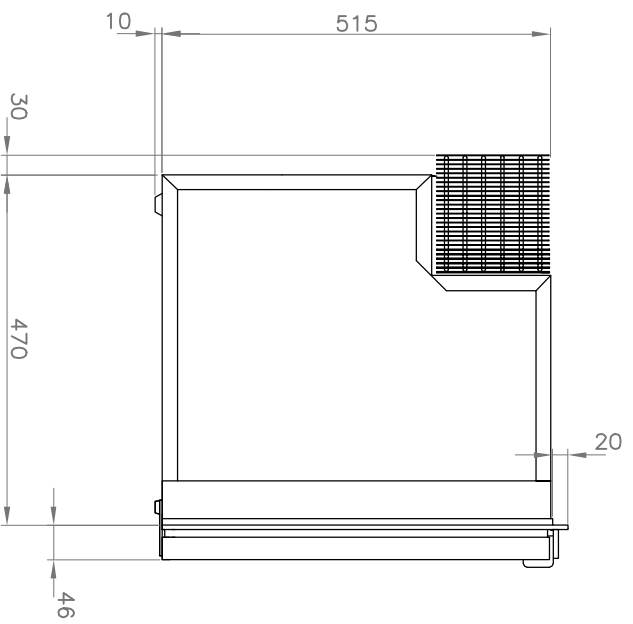
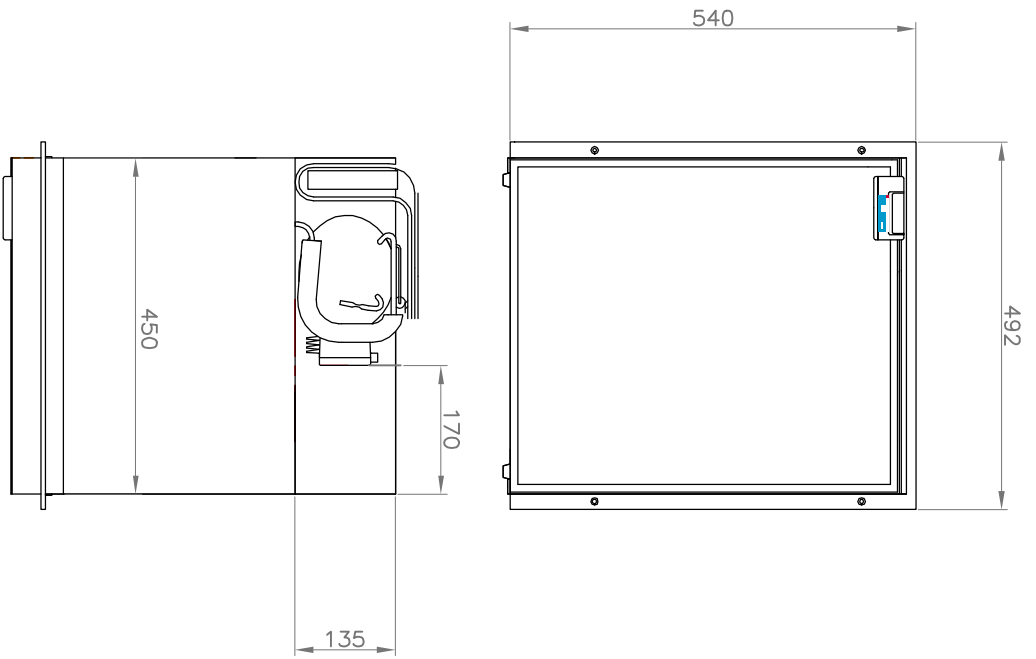


Drawing number
CR49

Edition

Sheet

Rev/No	Revision note	Date	Signature	Checked



Mounting hole
Cut-out

Dims. mm	WxH
Nominal	460x530
Min	455x525
Max	485x535

Standard mounting frame

Brand	Quantity	Title/Name, designation, material, dimension etc	Article No./Reference
Designed by	Checked by	Approved by - date	Date
			001129/LL6
Owner		Title/Name	Scale



Isotherm Cruise 65

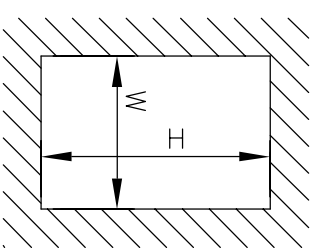
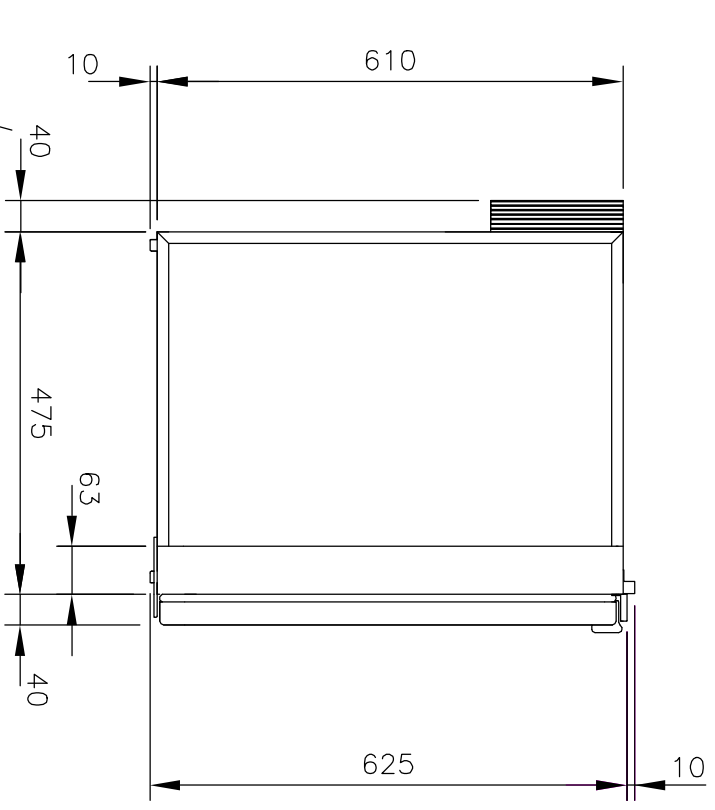
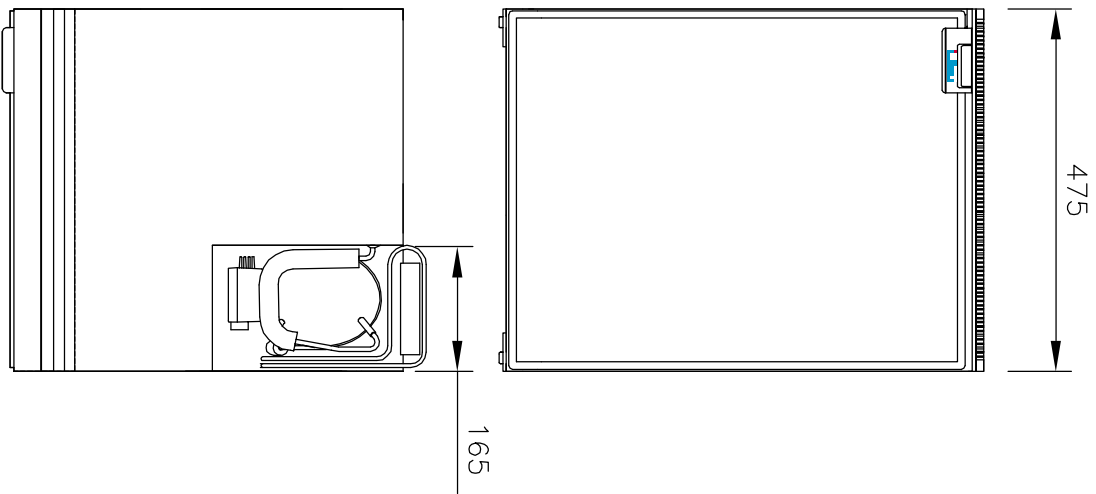
Drawing number
CR65

Edition
Sheet

RevNo/Revision note

Date

Signature Checked



Mounting hole
Cut-out

Dims. mm	WxH
Nominal	475x625

No mounting frame.

Revised	Revision	note	Date	Signature	Checked

Revised	Quantity	Title/Name, designation, material, dimension etc	Article No./Reference

Designed by	Checked by	Approved by - date	Released	Date	Scale
				021001/LLG	

Owner	Title/Name	Drawing number	Edition	Sheet
	Isotherm Cruise 85	CR85		

