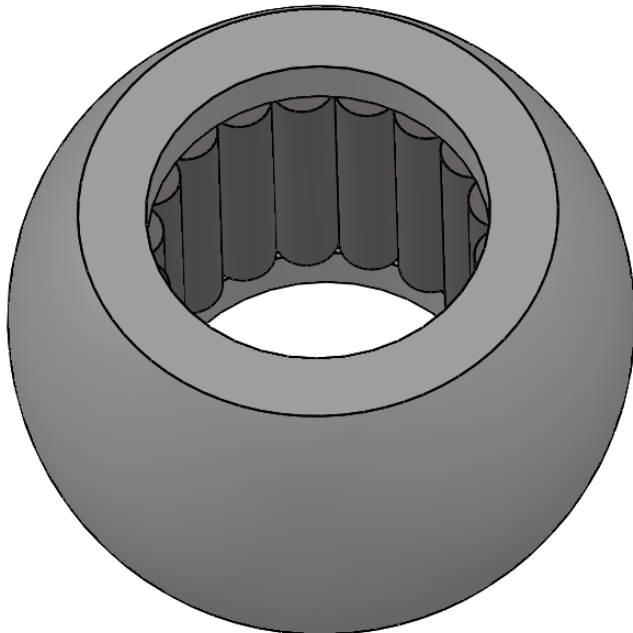
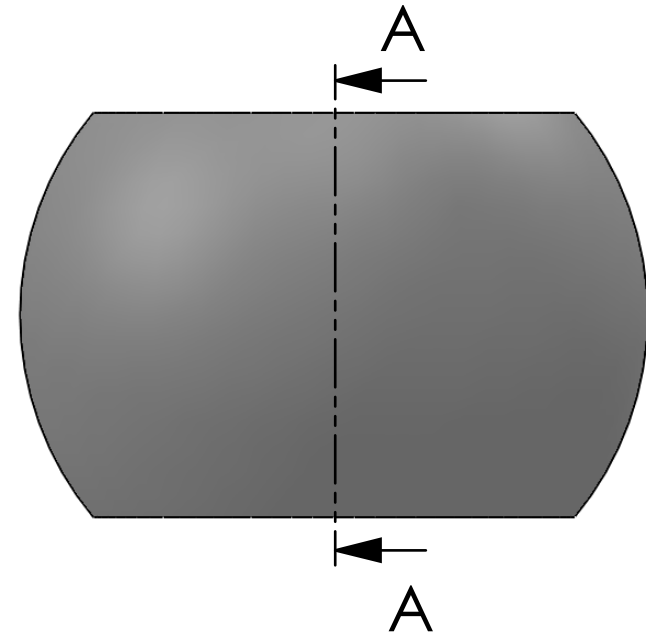



SECTION A-A  
SCALE 1 : 1.5



|  |          |                           |           |                     |             |  |
|--|----------|---------------------------|-----------|---------------------|-------------|--|
| DWG NR / NAME: <b>M13-232-62 / Bearing Ball with Rollers</b> |          |                           |           | BATCH NR:           |             | <br><b>JEFA MARINE A/S</b><br>NIMBUSVEJ 2<br>2670 GREVE, DENMARK<br>Tlf: +45 4615 5210 & Fax: +45 46155208<br>Email: info@jefa.com www.jefa.com |
| PROJECT: Shaft Ø62mm, OD Ø125mm                              |          |                           |           | REKV.NR / ORDRE NR: |             |  |
| DATE: 09.09.2015   | NAME: JR | SCALE / PAPER: 1:1,5 / A4 | MATERIAL: | LOCATION:           | ORDRE DATO: |  |
| MODIFY DATE: : /   |          |                           | WEIGHT: g | REV:                | LEV.DATO:   |  |