

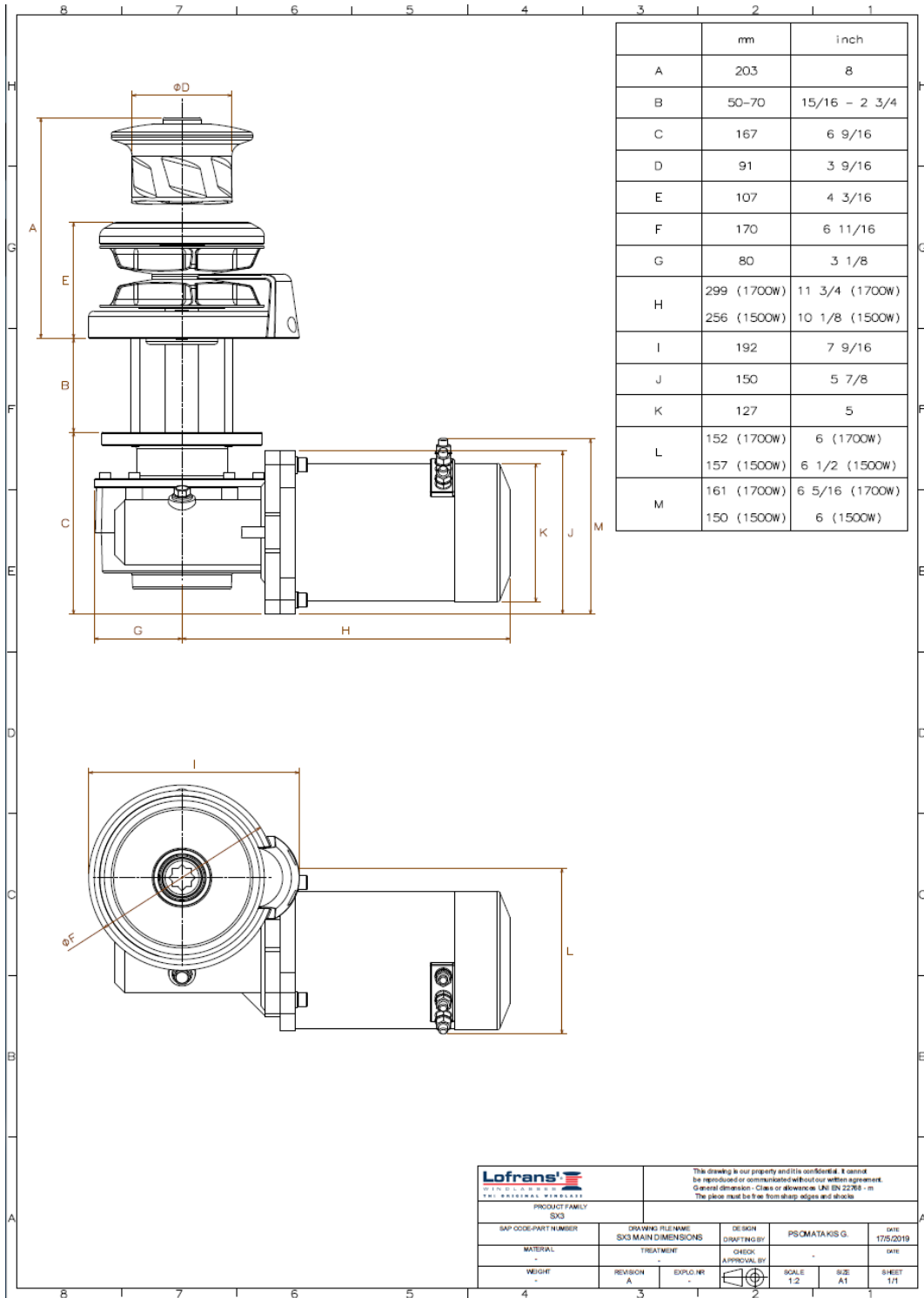
10 DIMENSIONI DI INGOMBRO

10 MAIN DIMENSIONS

10 DIMENSION E N'COMBREMENT

10 ABMESSUNGEN

10 DIMENSIONS TOTALES



		This drawing is our property and it is confidential. It cannot be reproduced or disseminated without our written agreement. General dimension - Class of allowance UNI EN 22768 - m The piece must be free from sharp edges and shocks			
PRODUCT FAMILY					
SX3					
SAP CODE-PART NUMBER	DRAWING FILE NAME	DESIGN	PSOMATAKIS G.	DATE	
-	SX3 MAIN DIMENSIONS	DRAWING BY		17/05/2019	
MATERIAL	TREATMENT	CHECK		DATE	
-	-	APPROVAL BY			
WEIGHT	REVISION	EXPL. NR	SCALE	SIZE	SHEET
-	A	-	1:2	A1	1/1