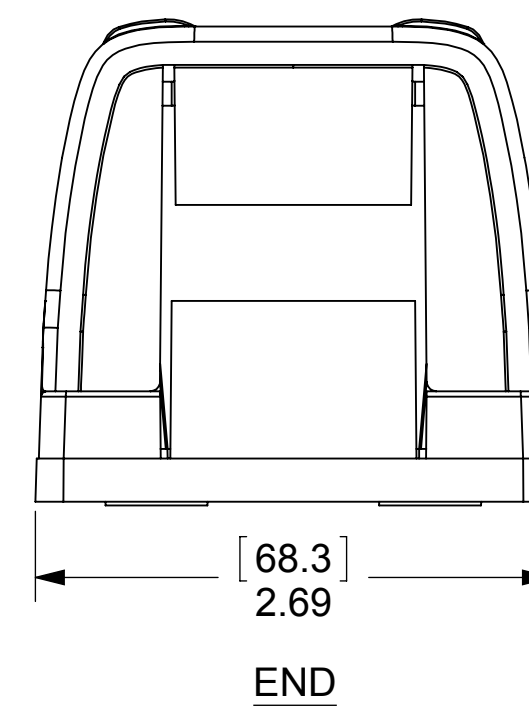
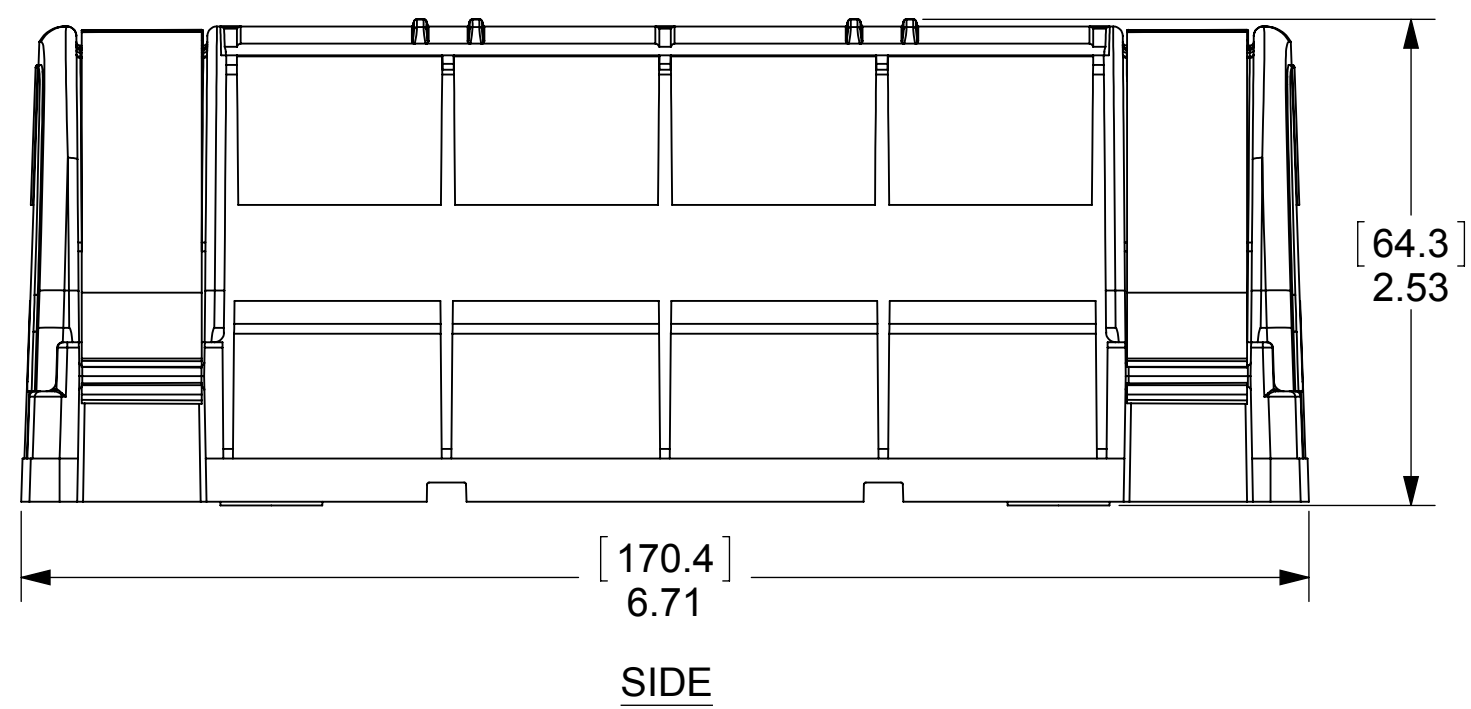
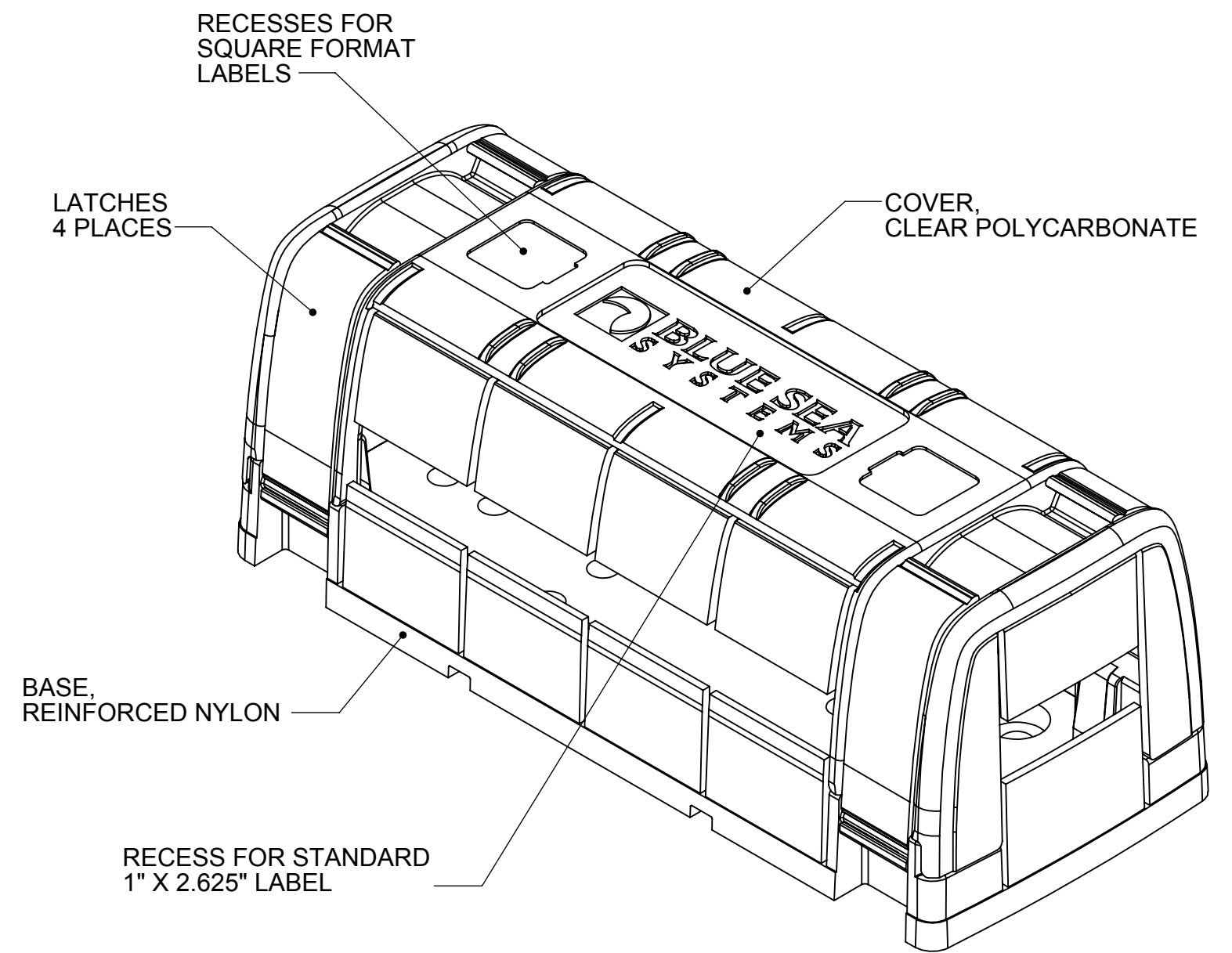
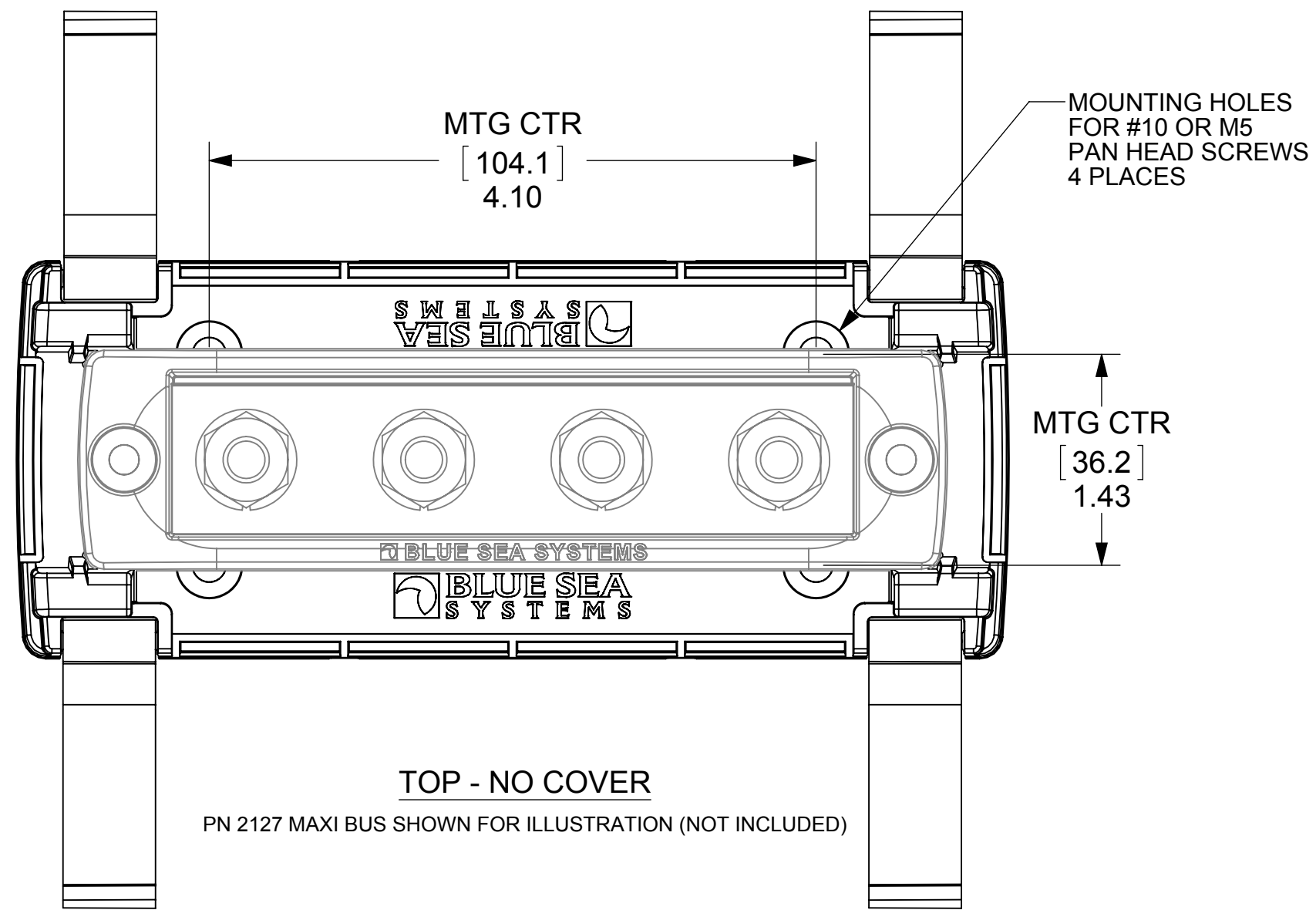


THIS DRAWING AND THE INFORMATION CONTAINED WITHIN IT ARE CONFIDENTIAL AND MAY NOT BE COPIED OR DISCLOSED WITHOUT THE WRITTEN PERMISSION OF BLUE SEA SYSTEMS.

REVISIONS				
ZONE	REV.	DESCRIPTION	DATE	APPROVED
	1	PRODUCTION RELEASE	4.27.2011	S. SCHANKEN



THIRD ANGLE PROJECTION



DIMENSIONS ARE SHOWN IN INCHES AND [MILLIMETERS]. UNSPECIFIED TOLERANCES ARE:			NAME	DATE
ANGLES	INCH	MM	S. SCHANKEN	6.6.2011
±0°30'	0.000±.002	0.00±.051	CHECKED	-
	.000±.005	.00±.127		-
	.00±.010	0±.254		-
MATERIAL	-		COMMENTS:	
FINISH	-		-	
DO NOT SCALE DRAWING				



425 Sequoia Drive Bellingham, WA 98226
Phone (360)738-8230 Fax (360)734-4195

2719-0 Cover MAXI Bus Short

Part Number 2719

SIZE	DWG. NO.	REV.
C	2719	1
SCALE 1:1	WEIGHT:	SHEET 1 OF 1