



COMPLETE MOUNTING SOLUTIONS
FOR MARINE ELECTRONICS

TABLE OF CONTENTS



3-4
SINGLE MOUNTS



5-6
DUAL MOUNTS



7
TOP PLATES



8-9
LIGHT BARS



10
ACCESSORIES



11
TAPERED MOUNTS



12
STAINLESS STEEL MOUNTS



13-14
LOW PROFILE SATDOME ADAPTERS



15-16
CAMERA & SEARCHLIGHT MOUNTS



17
DIRECT MOUNT WEDGES



18-20
MAST MOUNTS



21-24
POLE MOUNTS



25-26
POWER PODS



27-28
SAIL PODS & DECK PODS



29
BACKSTAY MOUNT



30
CUSTOM MOUNTS



For more information on Seaview products or to build your own mount please visit us on the web at www.seaviewglobal.com

Get social with us!



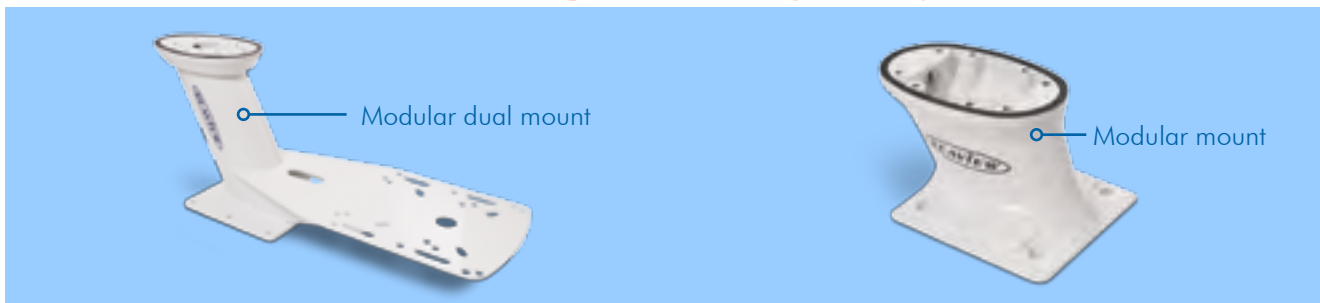
MODULAR MOUNTS

For Radars, Open Arrays & Satdomes

Easy 3 Step Solution

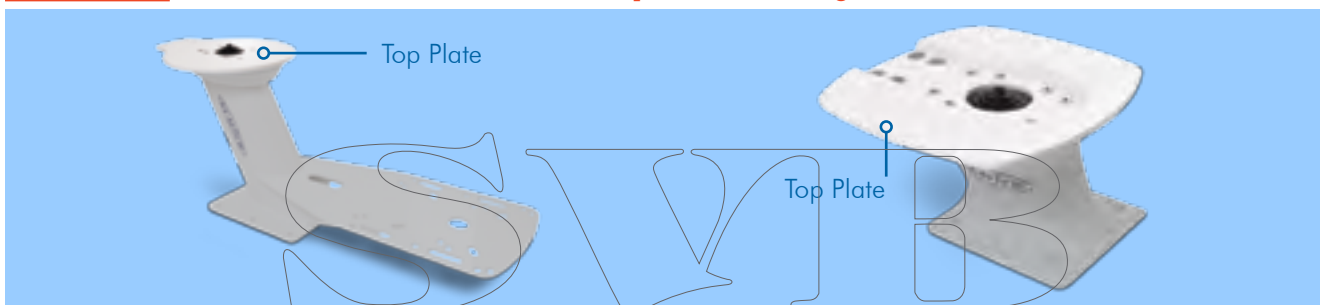
REQUIRED

STEP 1: Select Mount Base Style and Height - Pages 3-6



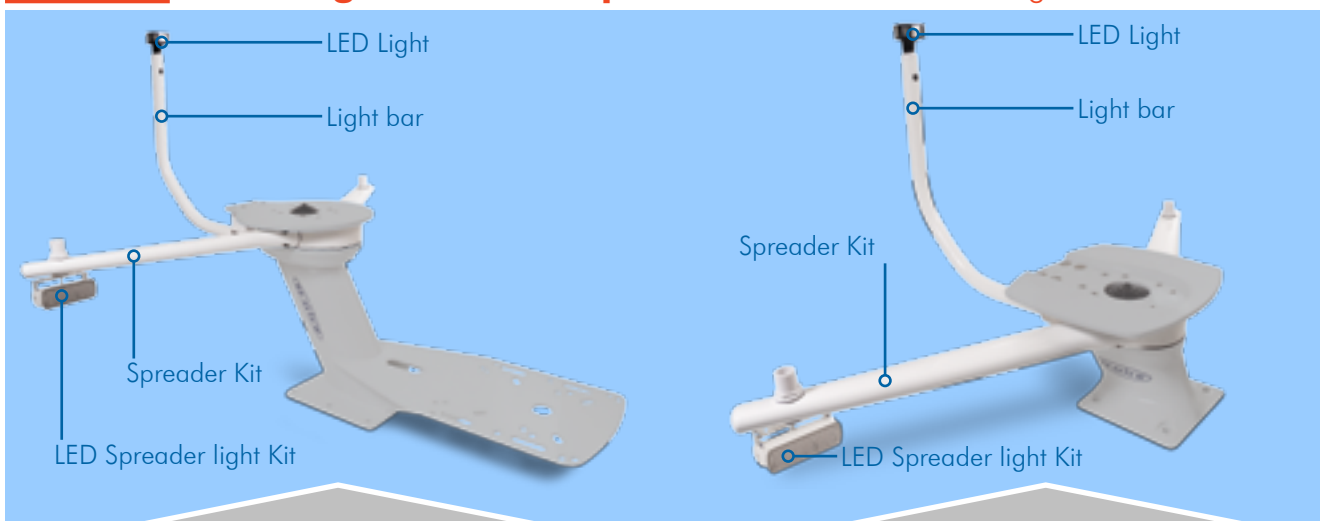
REQUIRED

STEP 2: Choose Your Modular Top Plate - Page 7



OPTIONAL

STEP 3: Select Light Bar and Optional Accessories - Pages 8-10



Complete part list for the above Dual Mount

- PMA-DM1-M2** - Modular dual mount
- ADA-S1** - Top plate
- LTB-S** - Light bar
- LTBA-7800** - LED light for any light bar
- SP2-MOD** - Spreader kit
- SP-LT-LED** - LED spreader light kit

Complete part list for the above radar mount

- PMA-57-M1** - Modular aft leaning mount
- ADA-R1** - Top plate
- LTB-R** - Light bar
- LTBA-7800** - LED Light for any light bar
- SP1-MOD** - Spreader kit
- SP-LT-LED** - LED spreader light kit

STEP 1: CHOOSE MODULAR

High quality marine grade aluminum that is chem treated,

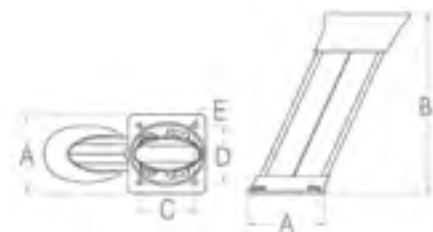
FORWARD LEANING

- » 18" - 24" closed dome radars
- » 16" diameter or smaller satdomes



Radar

Satdome



Model #	A inch/mm	B inch/mm	C & D inch/mm	E inch/mm
PMF-57-M1	7 / 177.8	5 / 127	5 / 127	.5 / 12.7
PMF-107-M1	7 / 177.8	10 / 254	5 / 127	.5 / 12.7

**10" tall mounts are not to be used with open array radars.*

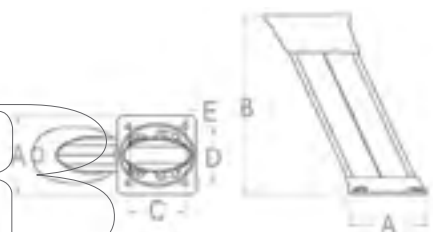
AFT LEANING

- » 18" - 24" closed dome radars
- » 16" diameter or smaller satdomes



Radar

Satdome



Model #	A inch/mm	B inch/mm	C & D inch/mm	E inch/mm
PMA-57-M1	7 / 177.8	5 / 127	5 / 127	.5 / 12.7
PMA-107-M1	7 / 177.8	10 / 254	5 / 127	.5 / 12.7
PMA-167-M1	7 / 177.8	16 / 406.4	5 / 127	.5 / 12.7
PMA-247-M1	7 / 177.8	24 / 609.6	5 / 127	.5 / 12.7
PMA-367-M1	8 / 203.2	36 / 914.4	6.5 / 165.1	.5 / 12.7

**10"-36" tall mounts are not to be used with open array radars.*

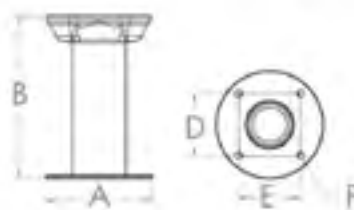
VERTICAL

- » 18" - 24" closed dome radars
- » 24" diameter or smaller satdomes



Radar

Satdome



Model #	A inch/mm	B inch/mm	D & E inch/mm	F inch/mm
AM5-M1	8 / 203.2	5 / 127	4.6 / 116.8	.5 / 12.7
AM12-M1	8 / 203.2	12 / 304.8	4.6 / 116.8	.5 / 12.7
AM18-M1	8 / 203.2	18 / 457.2	4.6 / 116.8	.5 / 12.7

**Not to be used with open array radars.*

SINGLE MOUNT & HEIGHT

primed & powder coated brilliant white.

OPEN ARRAY RADAR MOUNT

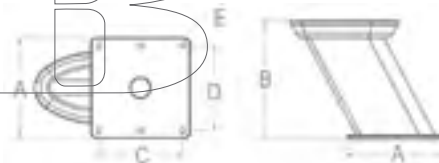
- » Up to 6' open array radars
- » Forward or aft leaning



Model #	A inch/mm	B inch/mm	C & D inch/mm	E inch/mm
PMF-57-M1 (FWD Leaning)	7 / 177.8	5 / 127	5 / 127	.5 / 12.7
PMA-57-M1 (AFT Leaning)	7 / 177.8	5 / 127	5 / 127	.5 / 12.7

SATDOME MOUNT

- » 16" - 24" diameter satdomes
- » Aft leaning



Model #	A inch/mm	B inch/mm	C & D inch/mm	E inch/mm
PMA-57-M1	7 / 177.8	5 / 127	5 / 127	.5 / 12.7
PMA-1210-M2	10 / 254	12 / 304.8	8.5 / 215.9	.5 / 12.7
PMA-1810-M2	10 / 254	18 / 457.2	8.5 / 215.9	.5 / 12.7

*Not to be used with open array radars.

All Modular Mounts are light bar & spreader kit compatible



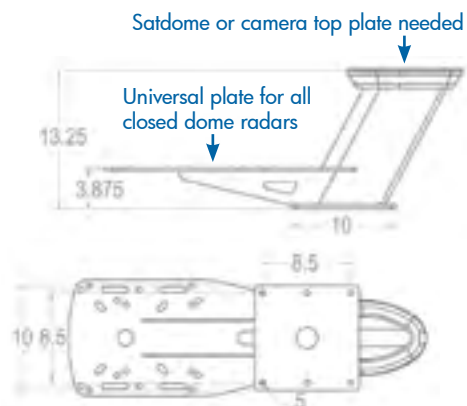
Seaview **Dual Mounts** are on pages **5 & 6**

STEP 1: CHOOSE MODULAR

High quality marine grade aluminum that is chem treated,

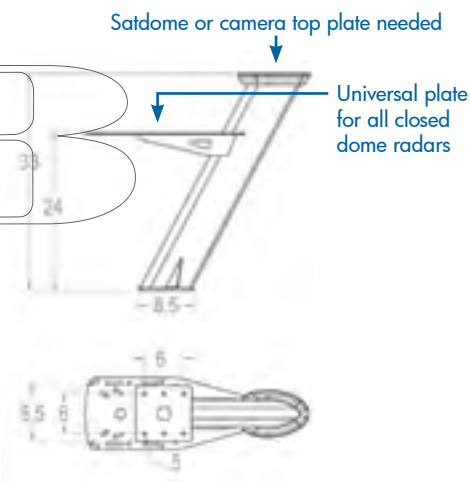
PMA-DM1-M2

- » 18" - 24" closed dome radars
- » 16" - 24" satdomes
- » Cameras



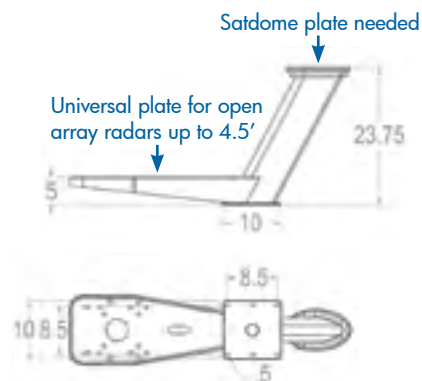
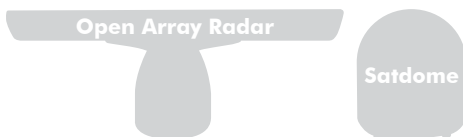
PMA-DM124-M2

- » 18" - 24" closed dome radars
- » 16" - 18" satdomes
- » Cameras



PMA-DM2-M2

- » Up to 4.5' open array radars
- » 16" - 24" satdomes

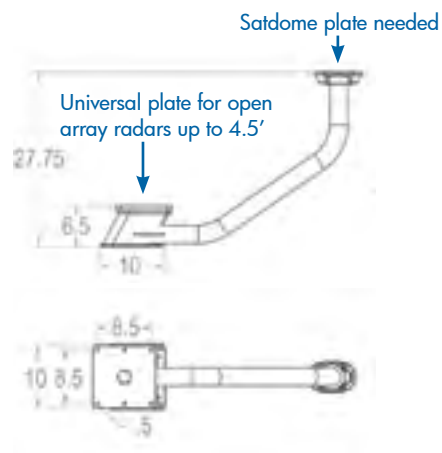


DUAL MOUNT

primed & powder coated brilliant white.

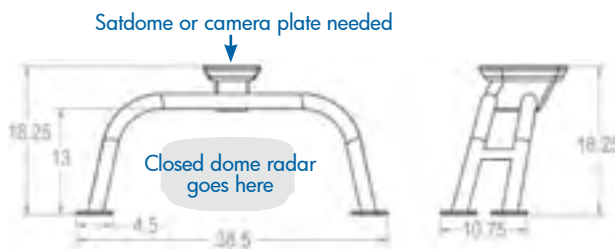
PMA-DM3-M1

- » Up to 4.5' open array radars
- » 16" - 18" satdomes



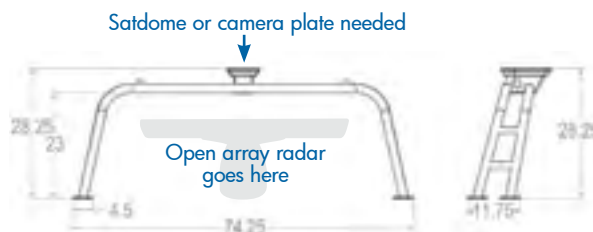
ARCH-1M2

- » 18" - 24" closed dome radars
- » 16" - 24" satdomes
- » Cameras

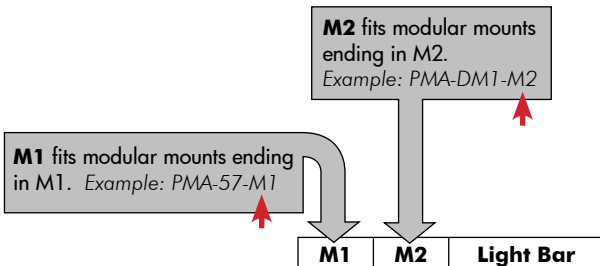


ARCH-2M2

- » Up to 4.5' open array radars
- » 16" - 24" satdomes
- » Cameras



STEP 2: CHOOSE TOP PLATE FOR MODULAR MOUNTS



	M1	M2	Light Bar
COMNAV			
Explorer V2/V3	ADA-F1	ADA-F1	LTB-S

	M1	M2	Light Bar
FLIR			
MD-Series, M-Series, Navigator	ADA-F1	ADA-F1	LTB-S

	M1	M2	Light Bar
FURUNO			
15" - 24" radar domes	ADA-R1	N/A	LTB-R
4'-6' Open array radar	ADA-R1	N/A	LTB-OA or LTB-OA-6
Open array radar 1942	ADA-R2	N/A	LTB-OA

	M1	M2	Light Bar
GARMIN			
18" - 24" radar domes	ADA-R1	N/A	LTB-R
4'-6' Open array radar	ADA-R1	N/A	LTB-OA or LTB-OA-6

	M1	M2	Light Bar
GEONAV			
24" radar domes	ADA-R1	N/A	LTB-R
4'-6' Open array radar	ADA-R1	N/A	LTB-OA or LTB-OA-6

	M1	M2	Light Bar
GLOMEX			
20" - 27" Satdome	ADA-S1	ADA-S3	LTB-S24

	M1	M2	Light Bar
HUMMINBIRD			
12" - 24" radar domes	ADA-R1	N/A	LTB-R

	M1	M2	Light Bar
INTELLIAN			
i1, i2 (11" - 13")	ADA-S1	ADA-S3	LTB-S
i3 (14.5")	ADA-S1	ADA-S1	LTB-S
i4, i4P, k4, d4 (18")	ADA-S2	ADA-S2	LTB-S
i6, i6P, k6, d6, S60, FB500 (24")	ADA-S2	ADA-S2	LTB-S24
FB150/ FB250 (10" - 14")	ADA-S4	ADA-S4	LTB-S

	M1	M2	Light Bar
JRC			
15" radar domes	ADA-R1	N/A	LTB-R
24" radar domes	ADA-R2	N/A	LTB-R

	M1	M2	Light Bar
KODEN			
18"-24" radar domes	ADA-R1	N/A	LTB-R
4' - 6' Open array radar	ADA-R1	N/A	LTB-OA or LTB-OA-6

	M1	M2	Light Bar
KVH			
M1DX, M1 (12.5")	ADA-S1	ADA-S3	LTB-S
M2, M3, M3DX, M3ST, V3 (14.5" - 15.5")	ADA-S1	ADA-S1	LTB-S
M5 (18")	ADA-S2	ADA-S2	LTB-S
M7, M7SK, Trac 50, HD7, V7, F55 (24")	ADA-S2	ADA-S2	LTB-S24
FB150/ FB250/ Fleet 33 (13" - 19")	ADA-S4	ADA-S4	LTB-S

	M1	M2	Light Bar
LOWRANCE			
18"-24" radar domes, BR24, 3G, 4G	ADA-R1	N/A	LTB-R
LRA 2400HD 24" radar dome	ADA-R2	N/A	LTB-R
4' - 6' Open array radar	ADA-R1	N/A	LTB-OA or LTB-OA-6

	M1	M2	Light Bar
LORENZ			
12" - 24" radar domes	ADA-R1	N/A	LTB-R
4' - 6' Open array radar	ADA-R1	N/A	LTB-OA or LTB-OA-6

	M1	M2	Light Bar
NOBELTEC			
17" - 25" radar domes	ADA-R1	N/A	LTB-R
3.5' - 6' Open array radar	ADA-R1	N/A	LTB-OA or LTB-OA-6

	M1	M2	Light Bar
NORTHSTAR			
18"-24" radar domes, BR24, 3G, 4G	ADA-R1	N/A	LTB-R
24" HD radar dome	ADA-R2	N/A	LTB-R
4' - 6' Open array radar	ADA-R1	N/A	LTB-OA or LTB-OA-6

	M1	M2	Light Bar
OYSTER			
50MGS, 75MGS, 77MGS, TRX-7MGS	ADA-S2	ADA-S2	LTB-S

	M1	M2	Light Bar
THRANE & THRANE			
FB150/ FB250/ Fleet 33, 33+ (10"-14")	ADA-S4	ADA-S4	LTB-S
Sailor FB500/ Fleet 55+ (24")	ADA-S1	ADA-S3	LTB-S24

	M1	M2	Light Bar
RAYMARINE			
18" - 24" radar domes	ADA-R1	N/A	LTB-R
4'-6' Open array radar	ADA-R1	N/A	LTB-OA or LTB-OA-6
335TV (13")	ADA-S1	ADA-S3	LTB-S
375TV (14.6")	ADA-S1	ADA-S1	LTB-S
455TV (18")	ADA-S2	ADA-S2	LTB-S
605TV (24")	ADA-S2	ADA-S2	LTB-S24
T200, T-Series	ADA-F1	ADA-F1	LTB-S

	M1	M2	Light Bar
SEA-KING			
1500HD (16")	ADA-S1	ADA-S1	LTB-S
1800HD (20")	ADA-S2	ADA-S2	LTB-S

	M1	M2	Light Bar
SEA-TEL (COBHAM)			
ST14, FX150 (16.5")	ADA-S1	ADA-S1	LTB-S
C18, FX250 (24")	ADA-S2	ADA-S2	LTB-S24
USAT24 (27" - 29")	ADA-S2	ADA-S2	LTB-S24
ST24, FX500 (29")	ADA-S2	ADA-S2	LTB-S24

	M1	M2	Light Bar
SIMRAD			
18"-24" radar domes, BR24, 3G, 4G	ADA-R1	N/A	LTB-R
24" HD radar dome	ADA-R2	N/A	LTB-R
4' - 6' Open array radar	ADA-R1	N/A	LTB-OA or LTB-OA-6

	M1	M2	Light Bar
SITEX			
12" - 24" radar domes	ADA-R1	N/A	LTB-R
4'-6' Open array radar	ADA-R1	N/A	LTB-OA or LTB-OA-6

	M1	M2	Light Bar
SEIWA / TECHMARINE			
12" - 24" radar domes	ADA-R1	N/A	LTB-R
4'-6' Open array radar	ADA-R1	N/A	LTB-OA or LTB-OA-6

	M1	M2	Light Bar
VDO			
Ocean Line 132 (13")	ADA-S1	ADA-S3	LTB-S
Ocean Line 337 (15")	ADA-S1	ADA-S1	LTB-S
Ocean Line 345 (18")	ADA-S2	ADA-S2	LTB-S
Ocean Line 360/ 445 / 460 (24")	ADA-S2	ADA-S2	LTB-S24

STEP 3: CHOOSE LIGHT BAR, LIGHT BAR TOP & ACCESSORIES FOR MODULAR MOUNTS

LIGHT BARS



LTB-R for closed dome radars. This light bar can fold over 90°.



LTB-S for 20" or smaller satdomes. This light bar can fold over 90°.

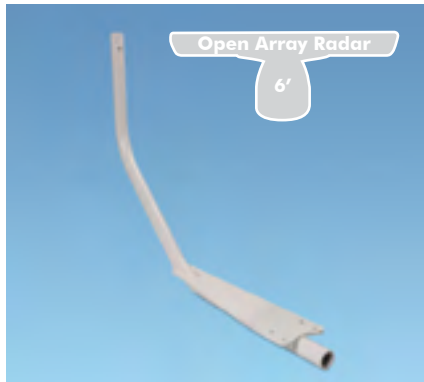
Please note that light bars do not come with a light. Select a light bar top for your light bar on page 9.



LTB-S24 for 26" satdomes. This light bar can fold over 90°.



LTB-OA for open array radars up to 4½'.



LTB-OA-6 for 6' open array radars.



LTB-SF to be used with FLIR MD-Series, M-Series or Raymarine T200, T-Series thermal cameras or search lights. For modular mounts using 20" diameter domes or smaller.

LIGHT BARS

STEP 3: CHOOSE LIGHT BAR, ACCESSORIES FOR MODULAR

LIGHT BAR TOPS



LTBP-1197 Perko 1197 Anchor light & 7' of wire (12v or 24v).



LTBA-7800 Attwood LED light & 7' of wire (12v).



LTB-BOX (4" x 4 1/2") Box Top to fit 3 Aqua Sig 40/41 lights or similar. Please note that this does not come with lights.



LTB-U1A (2 1/2" x 7") Allows you to mount a single light or a GPS and a light. Lights and GPS not included.



PM-U2A Allows you to mount a single light and two GPS units. Light and GPS not included.



PM-114LT-DLX Halogen Floodlight kit (12v). For Seaview 1 1/4" diameter light bars. Includes 1 1/4" stainless steel clamp, mounting hardware & Optronics DL-55CB.



PM-114LT-LED LED Floodlight kit (9-33v). For Seaview 1 1/4" diameter light bars. Includes 1 1/4" stainless steel clamp, mounting hardware & Hella 0670 Sea Hawk LED Floodlight.



LTB-U Adapter to mount a GPS or wind transducer. The threads are 1-14.

LIGHT BAR TOP & MOUNTS

SPREADER KITS



SP1-MOD Fits all Seaview mounts that end in "M1". For example PMA-57-M1.

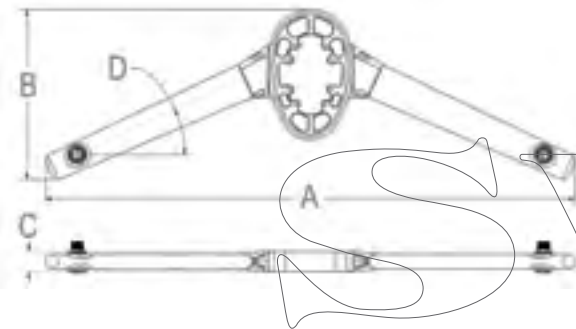


SP2-MOD Fits all Seaview mounts that end in "M2". For example PMA-DM2-M2.

Spreader Kit Accessories

SP-LT-LED

Enhance your visibility with a Seaview spreader LED floodlight kit. This kit includes stainless steel bracket, mounting hardware & Hella 0670 Sea Hawk LED Floodlight. (9-33v)

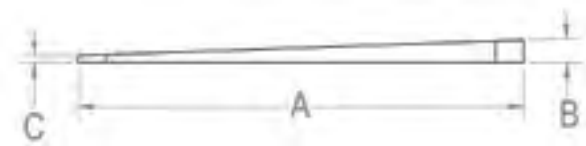


	A inch / mm	B inch / mm	C inch / mm	D
SP1-MOD	42.4 / 1077	12.625 / 320.67	1.75 / 44.45	25°
SP2-MOD	44.5 / 1130.3	14.282 / 362.76	1.75 / 44.45	25°

BASE WEDGES



Most common planing attitude requires 3-4° of adjustment. If you are unsure which to choose then we recommend the 4° wedge. We do however offer 2° & 6° wedges if you feel a little more or a little less is better for your application.



	Angle of Wedge	A inch / mm	B inch / mm	C inch / mm
PM-W2-7	2°	7 / 177.80	.369 / 9.372	.125 / 3.175
PM-W4-7	4°	7 / 177.80	.614 / 15.596	.125 / 3.175
PM-W6-7	6°	7 / 177.80	.861 / 21.869	.125 / 3.175
PM-W4-8	4°	8 / 203.20	.684 / 17.374	.191 / 4.841
PM-W4-10	4°	10 / 254	.95 / 24.130	.25 / 6.350

HINGE ADAPTERS



Captive knobs means these will stay with the hinge when it's open or closed.

PM-H7	For 7"x7" base plate. Fits 5" - 24" tall radar mounts.
PM-H8	For 8"x8" base plate. Fits 36" tall radar mounts.
PM-H10	For 10"x10" base plate. Not to be used for PMA-DM2-M2 or PMA-200 series mounts.

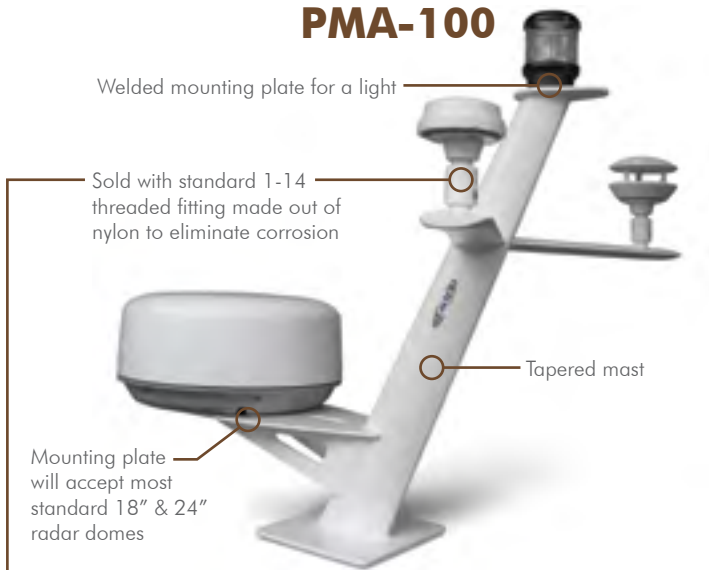
The Seaview hinge adapter can hinge back 180°. Allowing you to have the most clearance possible



TAPERED MASTS

For Most Closed Dome & Open Array Radars

PMA-100



PMA-BC-37

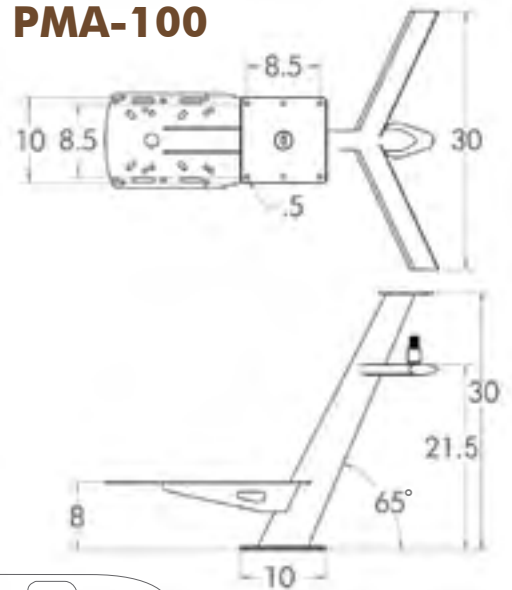


PMA-200

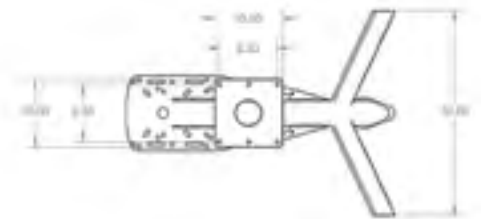
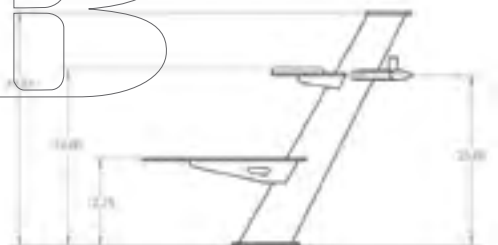


DIMENSIONS

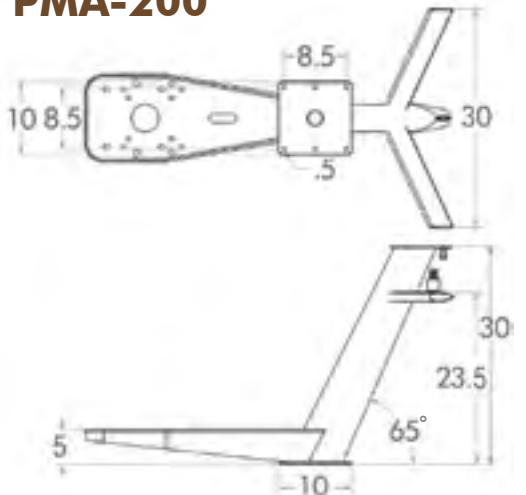
PMA-100



PMA-BC-37



PMA-200

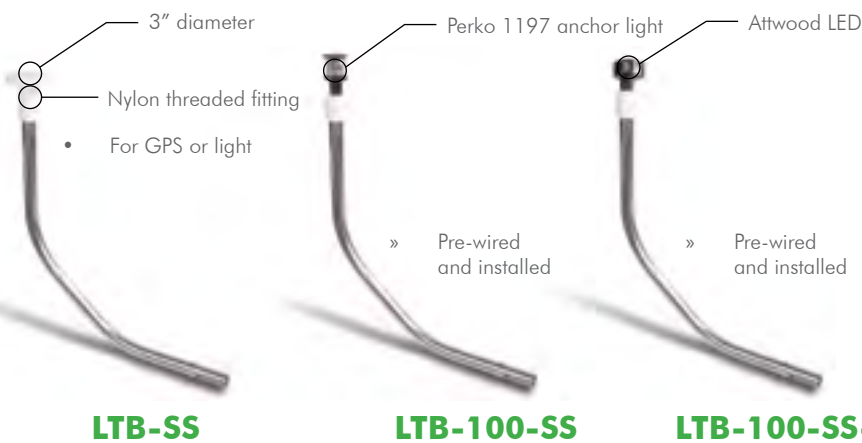


STAINLESS STEEL MOUNTS

For Most Closed Dome Radars

STAINLESS STEEL MOUNT PART NUMBER GUIDE

FURUNO	
15" - 19" Radomes, DR54D	PMA-5U-7LSS
24" Radomes	PMA-5FJ-7LSS
GYRO	PMA-5U-7LSS
GEONAV	
24" Radomes	PMA-5U-7LSS
GARMIN	
18" - 24" Radomes	PMA-5RG-7LSS
HUMMINBIRD	
12" - 24" Radomes	PMA-5RG-7LSS
JRC	
24" Radomes	PMA-5FJ-7LSS
LOWRANCE	
18" Radomes, LRA 2000	PMA-5U-7LSS
20" Radomes, BR24, 3G, 4G	PMA-5RG-7LSS
24" Radomes	PMA-5FJ-7LSS
LORENZ	
12" - 20" Radomes	PMA-5U-7LSS
NORTHSTAR	
18" Radomes	PMA-5U-7LSS
20" Radomes, BR24, 3G, 4G	PMA-5RG-7LSS
24" Radomes	PMA-5FJ-7LSS
KODEN	
18" Radomes	PMA-5U-7LSS
RAYMARINE	
18" - 24" Radomes	PMA-5RG-7LSS
SIMRAD	
18" Radomes	PMA-5U-7LSS
20" Radomes, BR24, 3G, 4G	PMA-5RG-7LSS
24" Radomes	PMA-5FJ-7LSS
SITEX	
12" - 24" Radomes	PMA-5U-7LSS
SEIWA	
12" - 23.5" Radomes	PMA-5U-7LSS
TECH MARINE	
12" - 20" Radomes	PMA-5U-7LSS



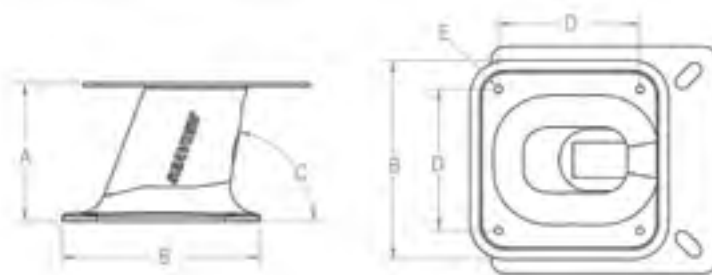
LTB-SS

LTB-100-SS

LTB-100-SS-LED

DIMENSIONS

	A	B	C	D	E
	inch/mm	inch/mm	Degrees	inch/mm	inch/mm
PMA-5U-7LSS	5 / 127	7 / 177.8	80°	5 / 127	.25 / 6.35
PMA-5RG-7LSS	5 / 127	7 / 177.8	80°	5 / 127	.25 / 6.35
PMA-FJ-7LSS	5 / 127	7 / 177.8	80°	5 / 127	.25 / 6.35



LOW PROFILE ADAPTERS

Optimize Satdome Installation

LOW PROFILE ADAPTERS



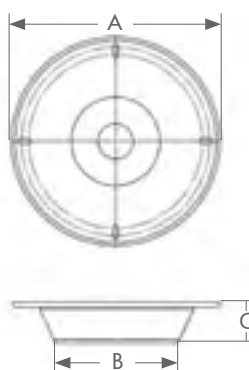
- » 3" models made with UV stable white ABS plastic
- » 5" models made of marine grade aluminum
- » Small mounting base for space limited installations
- » Hides cables



The AMA-W offers 0° - 12° adjustment. Optional wedge sold separately.

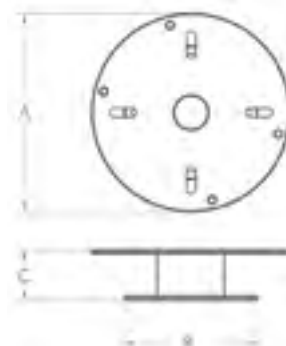
DIMENSIONS

	A inch/mm	B inch/mm	C inch/mm
AMA-14	8 / 203.2	4.75 / 120.6	2.75 / 69.85
AMA-16	12 / 304.8	8 / 203.2	2.75 / 69.85
AMA-18	14.25 / 362	8 / 203.2	2.75 / 69.85
AMA-24	19 / 482.6	8 / 203.2	2.75 / 69.85



AMA-GXF inch/mm

A	12 / 304.8
B	8 / 203.2
C	3 / 76.2



AMA-32 inch/mm

A	17 / 431.8
B	8½ / 215.9
C	4 / 101.6



- » Small footprint
- » Cable gland system for up to 7 cables if necessary
- » Heavy duty primed and powder coated aluminum

Find your Satdome below to find the correct Low Profile mount part number. Please note that some mounts require an adapter to fit properly. If you do not see your Satdome below please give us a call.

FURUNO	
FLEET 33, FELCOM 30	AMA-14
FLEET 55, FELCOM 50	AMA-GXF

GEONAV & EPAK	
TV44, TV46, TV59, SC60, TV61	AMA-18 (Requires ADA-M51 adapter)
SC90, TV90	AMA-32 (Requires ADA-M51 adapter)

GLOMEX	
V9100, V9160, V9600, V9630, V9800 (20" - 27")	AMA-GXF

INTELLIAN	
i1, i2 (11" - 13")	AMA-GXF
i3 (14.5")	AMA-16
FB150, FB250 (10" - 14")	AMA-14
i4, i4P, k4, d4 (18")	AMA-18
i6, i6P, k6, d6, s60, FB500 (24")	AMA-24
i9, k9, s85 (32")	AMA-32

JRC	
JUE 250, JUE 33	AMA-14
JUE 500	AMA-GXF

KVH	
Tracphone 252, Tracnet	AMA-14
FLEET 33, FB150, FB250 (13" - 19")	AMA-14
M1, M1DX (12.5")	AMA-GXF
M2, M3, M3ST, M3DX, V3 (14.5" - 15.5")	AMA-16
M5, G4, FB250, TRAC 50 (18")	AMA-18
M7, M7SK, G6, F55, FB500, V7, HD7 (24")	AMA-24
M9, F77, FB500, V7 (32")	AMA-32

RAYMARINE	
33STV (13")	AMA-GXF
37STV (14.6")	AMA-16
45STV (18")	AMA-18
60STV (24")	AMA-24

SEA KING	
1500HD (16")	AMA-16
1800HD (20")	AMA-18

OYSTER	
50MGS, 75MGS, 77MGS, TRX-7MGS	AMA-24

SEA TEL / COBHAM	
ST14 (16.5")	AMA-16
C18 (24")	AMA-18
C24, USAT24 (27" - 29")	AMA-18
C30, 3004, USAT30 (32")	AMA-32
DTV04 (32")	AMA-32

THRANE & THRANE	
FB150, FB250, Fleet 33, Fleet 33+ (10" - 14")	AMA-14
SAILOR FB500, Fleet 55+ (24")	AMA-GXF

VDO	
OCEAN LINE 132 (13")	AMA-GXF
OCEAN LINE 337 (15")	AMA-VD1
OCEAN LINE 345, 445	AMA-VD2
OCEAN LINE 360, 460	AMA-VD2



An AMA-16 on AMA-W optional wedges.



AMA-GXF shown above.

CAMERA AND SEARCH LIGHT

For Most Cameras & Search Lights

CAMERA & SEARCH LIGHT MOUNTS



No visible bolts for extra security and improved aesthetics!



- » Top down riser available
- » Available in vertical or aft leaning designs
- » Space saving designs



The Top Down Riser mounts allow you to mount FLIR or Raymarine thermal cameras upside down or vertically.



A **RM-GOL-1** rail mount for search lights.



A **SM-14-F** mast mount for thermal cameras.

CAMERA & SEARCHLIGHT MOUNT PART NUMBER GUIDE:

	CAMERA								SEARCH LIGHT				
	RAYMARINE		FLIR		IRIS	NVTI	COMNAV	VEI	ACR			GOLIGHT	JABSCO
	T200	T300 / 400 Series	MD SERIES	M-SERIES	IRIS2 / IRIS3 / IRIS 116	NV2020 / NV1018 / NV1020	EXPLORER V2 / V3	APOLLO II / II HD	RCL50 / RCL100	RCL75	RCL300	ALL MODELS	ALL MODELS
FTDR1					*								
FTDR2		*		*									
FTDR3	*		*										
PM5-FMT-8		*		*			*						
PM5-FMD-8	*		*										
PM5-SL-8						*		*	*	*	*	*	*
PMA-5FMT-7	*	*	*	*			*						
PMA-12FMT-7	*	*	*	*			*						
PMA-5FSL-7						*		*	*	*	*	*	*
PMA-12FSL-7						*		*	*	*	*	*	*
RM-GOL-1												*	
PMA-DM1-M2*	*	*	*	*	*		*						
SM-14-F	*	*	*	*	*								

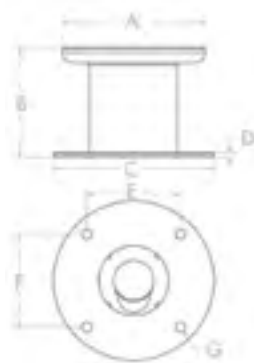
* Requires ADA-F1 modular top plate.

MOUNTS

PM5-FMT-8
inch/mm

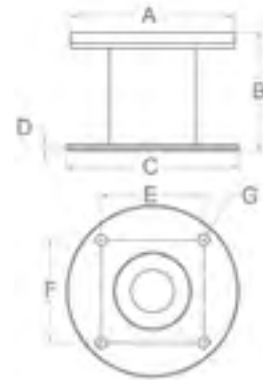
A	7.12 / 182.56	6 / 152.4
B	5.5 / 140	5.5 / 140
C	8 / 203	8 / 203
D	.25 / 6.35	.25 / 6.35
E	4.77 / 121.15	4.77 / 121.15
F	4.77 / 121.15	4.77 / 121.15
G	0.5 / 12.7	0.5 / 12.7

PM5-FMD-8
inch/mm



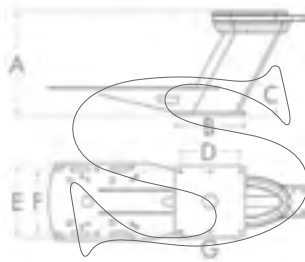
PM5-SL-8
inch/mm

A	7.6 / 193.04
B	5.5 / 139.7
C	8 / 203.2
D	.25 / 6.35
E	4.77 / 121.15
F	4.77 / 121.15
G	0.5 / 12.7



PMA-DM1-M2
inch/mm

A	14.5 / 368.3
B	10 / 254
C	62°
D	8.5 / 216
E	10 / 254
F	8.5 / 216
G	0.5 / 12.7

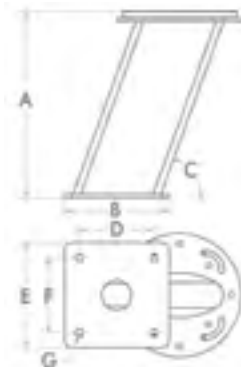


PMA-DM1-M2 with a ADA-F1 top plate.

PMA-5FMT-7
PMA-5FSL-7
inch/mm

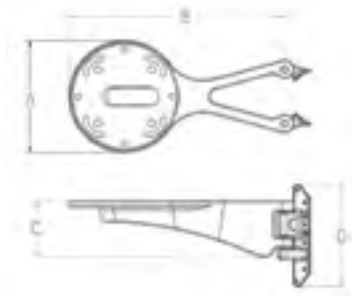
A	5.25 / 140	12.5 / 318
B	7 / 178	7 / 178
C	70°	70°
D	5 / 127	5 / 127
E	7 / 178	7 / 178
F	5 / 127	5 / 127
G	0.5 / 12.7	0.5 / 12.7

PMA-12FMT-7
PMA-12FSL-7
inch/mm



SM-14-F
inch/mm

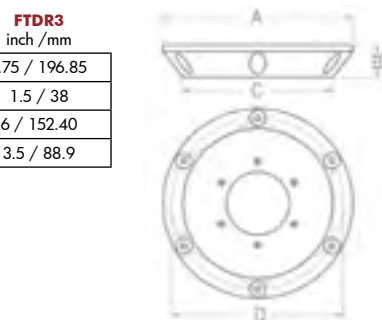
A	8.25 / 210
B	16.5 / 419
C	4.25 / 108
D	7.5 / 190.5



FTDR1
inch/mm

A	6.75 / 171.45	8.86 / 225	7.75 / 196.85
B	1 / 25.4	1.5 / 38	1.5 / 38
C	5.125 / 130.17	7 / 178	6 / 152.40
D	3 / 76.2	8 / 203	3.5 / 88.9

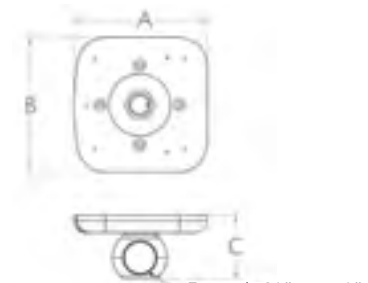
FTDR2
inch/mm



FTDR3
inch/mm

RM-GOL-1
inch/mm

A	6 / 152
B	6 / 152
C	2.75 / 70



Fits rails 3/4" to 1 1/4" in diameter

DIRECT MOUNT WEDGES

Optimizes Radar Beam



3-4° is most commonly need to compensate for planing attitude. This is why Seaview only offers the 4° direct mount wedge.



	A inch / mm	B inch / mm
RW4-1	.31 / 7.874	.95 / 24.130
RW4-2	.53 / 13.462	1.40 / 35.560
RW4-3	.25 / 6.350	.95 / 24.130
RW4-4	.15 / 3.810	.95 / 24.130
RW4-5	.25 / 6.350	.77 / 19.558
RW4-6	.67 / 17.018	1.50 / 38.10

DIRECT MOUNT ANGLED WEDGES PART NUMBER GUIDE

FURUNO	
15" - 19" Radomes, DR54D	RW4-1
24" Radomes	RW4-6
2' - 6' Open Array Radars	RW4-3
GYRO	RW4-1
GEONAV	
24" Radomes	RW4-6
3.5' - 4.5' Open Array Radars	RW4-5
GARMIN	
18" - 24" Radomes	RW4-2
4' - 6' Open Array Radars	RW4-3
HUMMINBIRD	
12" - 24" Radomes	RW4-2
JRC	
24" Radomes	RW4-6
4' - 6' Open Array Radars	RW4-5
LOWRANCE	
18" Radomes, LRA 2000	RW4-1
20" Radomes, BR24, 3G, 4G	RW4-2
24" Radomes	RW4-6
4' - 6' Open Array Radars	RW4-5

LORENZ	
18" - 20" Radomes	RW4-1
4' Open Array	RW4-5
NORTHSTAR	
18" Radomes	RW4-1
20" Radomes, BR24, 3G, 4G	RW4-2
24" Radomes	RW4-6
4' Open Array Radar (6kW 2007+)	RW4-5
4' Open Array Radar (6kW)	RW4-3
KODEN	
18" Radomes	RW4-1
25.5" Radomes	RW4-2
4' - 6' Open Array Radars	RW4-3
RAYMARINE	
18" - 24" Radomes	RW4-2
4' - 6' Open Array Radars	RW4-4
SIMRAD	
20" Radomes, BR24, 3G, 4G	RW4-2
18" Radomes	RW4-1
24" Radomes	RW4-6
4' Open Array Radars	RW4-3

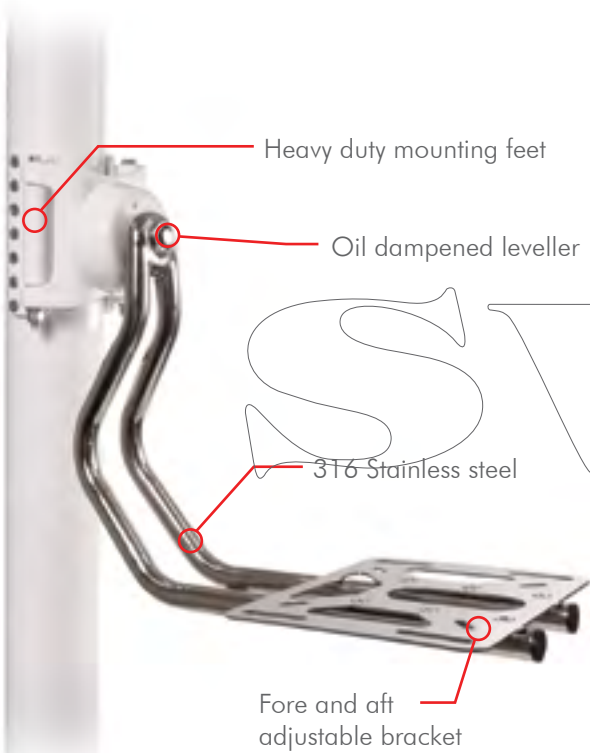
SITEX	
12" - 24" Radomes	RW4-1
SEIWA	
12" - 23.5" Radomes	RW4-1
3' - 6' Open Array Radars	RW4-3
TECH MARINE	
12" - 20" Radars	RW4-1



SELF LEVELING MAST MOUNT

For Most Closed Dome Radars

Maintain a level view of the horizon through heels & rolls.

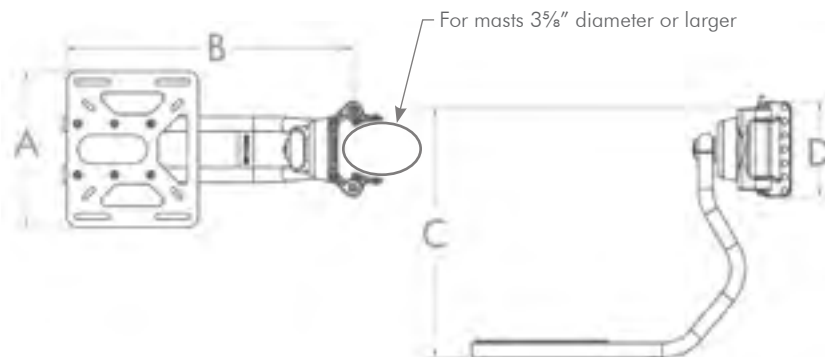


SELF LEVELING RADAR MAST MOUNT PART NUMBER GUIDE

FURUNO	
15" - 24" Radomes	SLM-1S
GEONAV	
24" Radomes	SLM-1S
GARMIN	
18" - 24" Radomes	SLM-1S
HUMMINBIRD	
12" - 24" Radomes	SLM-1S
KODEN	
18" - 25.5" Radomes	SLM-1S
LORENZ	
12" - 20" Radomes	SLM-1S
LOWRANCE	
18" - 24" Radomes (Not LRA 2400HD)	SLM-1S
NORTHSTAR	
18" - 20" Radomes	SLM-1S
RAYMARINE	
18" - 24" Radomes	SLM-1S
SEIWA	
12" - 23.5" Radomes	SLM-1S
SIMRAD	
18" - 20" Radomes	SLM-1S
SITEX	
12" - 24" Radomes	SLM-1S
TECHMARINE	
12" - 20" Radomes	SLM-1S

DIMENSIONS

SLM-1S inch / mm	
A	10.75 / 273
B	19.5 / 495
C	17 / 432
D	6.5 / 165



MAST PLATFORMS

For Most Radars and Satdomes

MAST PLATFORM ACCESSORIES



Solid underbody construction not only greatly improves strength but also hides radar cables.

Pre-drilled to receive accessories such as a flood light or horn.



SMG-18-U A universal stainless steel guard for all 2kW radomes.

SMG-24-U A universal stainless steel guard for all 4kW radomes.

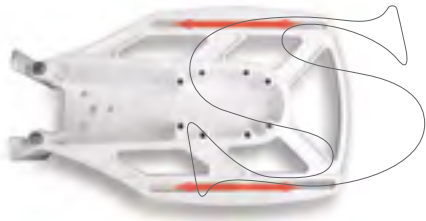


SM-AD-ISO Isomat adapter for boats with Isomat masts (Integral Track at the Front).



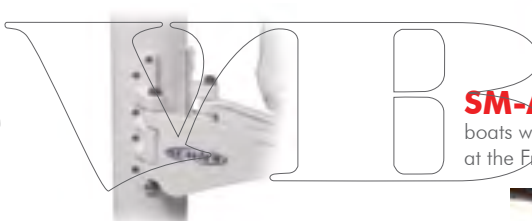
SM-AD-FB Flybridge adapter kit for smaller mast mounts. Fits the following Seaview mast mounts: SM-18-R, SM-18-U, SM-14-F. Will allow for 35° of adjustment.

ADJUSTABILITY



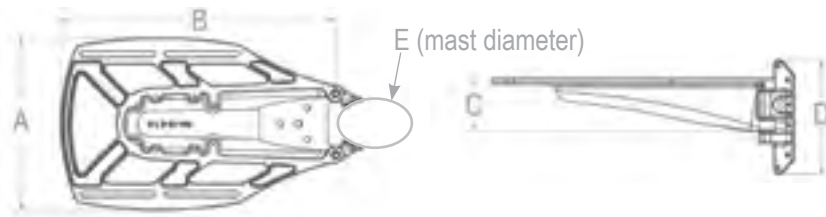
The **SM-18-R** is designed with fore and aft adjustable rails so that you can have the radar as close as possible to the mast.

STRENGTH



Six rivets per foot are used to hold the heavy duty mounting feet to the mast.

DIMENSIONS



	SM-14-A inch / mm	SM-15-A inch / mm	SM-18-A inch / mm	SM-18-U inch / mm	SM-18-R inch / mm	SM-24-A inch / mm	SM-24-U inch / mm	SM-24-R inch / mm
A	8.23 / 209	12 / 304.8	18.5 / 469.9	12 / 304.80	11.28 / 286.5	18.50 / 470	11.75 / 298.45	11.75 / 298.45
B	15.9 / 403.1	16.25 / 412.75	22.75 / 577.85	15.65 / 397.51	18.01 / 457.5	25 / 635	20 / 508	20 / 508
C	4.11 / 104.4	6 / 152.4	6 / 152.4	3.44 / 87.4	3.44 / 87.4	6 / 152.4	6 / 152.4	6 / 152.4
D	7.44 / 189	6.50 / 165.1	6.50 / 165.1	7.44 / 189	7.44 / 189	6.50 / 165.1	6.50 / 165.1	6.50 / 165.1
E	2.625 / 66.675	2.625 / 66.675	2.625 / 66.675	2.625 / 66.675	2.625 / 66.675	3.625 / 92.075	3.625 / 92.075	3.625 / 92.075

Find your Radar, Satdome, Camera or Search Light below to find the correct mast mount part number. If you do not see your electronics below please give us a call.

FLIR	
MD-Series, M-Series Camera	SM-14-F

FURUNO	
18" Radomes	SM-18-U
24" Radomes	SM-24-U
FLEET 33, FELCOM 30	SM-14-A
SC30, SC60, SC120	SM-24-U

GARMIN	
18" Radomes	SM-18-R
24" Radomes	SM-24-R

GEONAV & EPAK	
TV 44, TV 46 (18")	SM-18-A
TV59 (24")	SM-24-A
GRH-4D (24")	SM-24-U

GLOMEX	
V9100, V9600 (20")	SM-24-A
V9600, V9630, V9800 (27")	SM-24-A

HUMMINBIRD	
12" - 24" Radomes	SM-24-A

INTELLIAN	
i1, i2, i3 (11" - 14.5")	SM-15-A
FB150, FB250 (10" - 14")	SM-14-A
i4, i4P, k4, d4 (18")	SM-18-A
i6, i6P, k6, d6, s60, FB500 (24")	SM-24-A

JRC	
JUE 250, JUE 33 (14")	SM-14-A
JUE 500 (24")	SM-24-A
JMA-5104, NKE-2042 (24")	SM-24-U

KVH	
Tracphone 252, Tracnet (14")	SM-14-A
FLEET 33, FB150, FB250 (14")	SM-14-A
M1DX, M1, M2, M3, M3ST, M3DX, V3 (12.5" - 15.5")	SM-15-A
M5, G4, FB250, TRAC 50 (18")	SM-18-A
M7, M7SK, G6, F55, FB500, V7, HD7 (24")	SM-24-A

KODEN	
2kW - RP714A (18")	SM-18-U
4kW - RB715A (25")	SM-24-R

LORENZ	
2kW (12" - 18")	SM-18-U
4kW (20")	SM-24-U

LOWRANCE	
BROADBAND BR24, 3G, 4G (18")	SM-18-R
LRA 1800HD, 1500 (18")	SM-18-U
LRA 2000, LRA24HD (24")	SM-24-U

NORTHSTAR	
BROADBAND BR24, 3G, 4G	SM-18-R
2kW - RB714A	SM-18-U
4kW - RB714A	SM-24-U

OYSTER	
50MGS, 75MGS, 77MGS, TRX-7MGS	SM-24-A

RAYMARINE	
18" Radomes	SM-18-R
24" Radomes	SM-24-R
33STV, 37STV (13" - 14.6")	SM-15-A
45STV (18")	SM-18-A
60STV (24")	SM-24-A
T-200, T-Series Camera	SM-14-F

SEA KING	
1500HD (16")	SM-18-A
1800HD (20")	SM-18-A

SEA TEL / COBHAM	
ST14, FX150 (16.5")	SM-18-A
C18, FX250 (24")	SM-18-A

SIMRAD	
BROADBAND BR24, 3G, 4G	SM-18-R
RB714A, DX425	SM-18-U
DX64S	SM-24-U

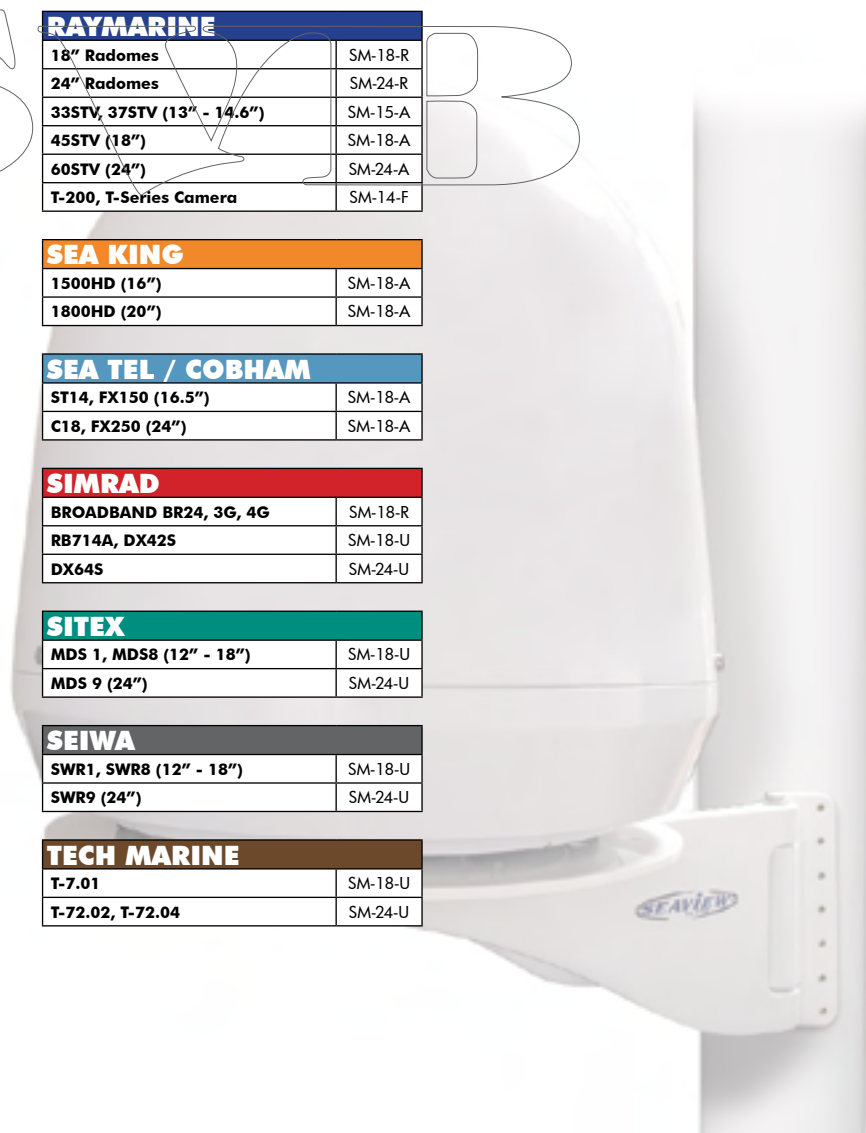
SITEX	
MDS 1, MDS8 (12" - 18")	SM-18-U
MDS 9 (24")	SM-24-U

SEIWA	
SWR1, SWR8 (12" - 18")	SM-18-U
SWR9 (24")	SM-24-U

TECH MARINE	
T-7.01	SM-18-U
T-72.02, T-72.04	SM-24-U

THRANE & THRANE	
FB150, FB250, Fleet 33, Fleet 33+ (10" - 14")	SM-14-A
SAILOR FB500, Fleet 55+ (24")	SM-24-A

VDO	
OCEAN LINE 132 (18")	SM-18-U
OCEAN LINE 337 (15")	SM-18-A
OCEAN LINE 345 (18")	SM-24-A
OCEAN LINE 360, 445, 460 (24")	SM-24-A

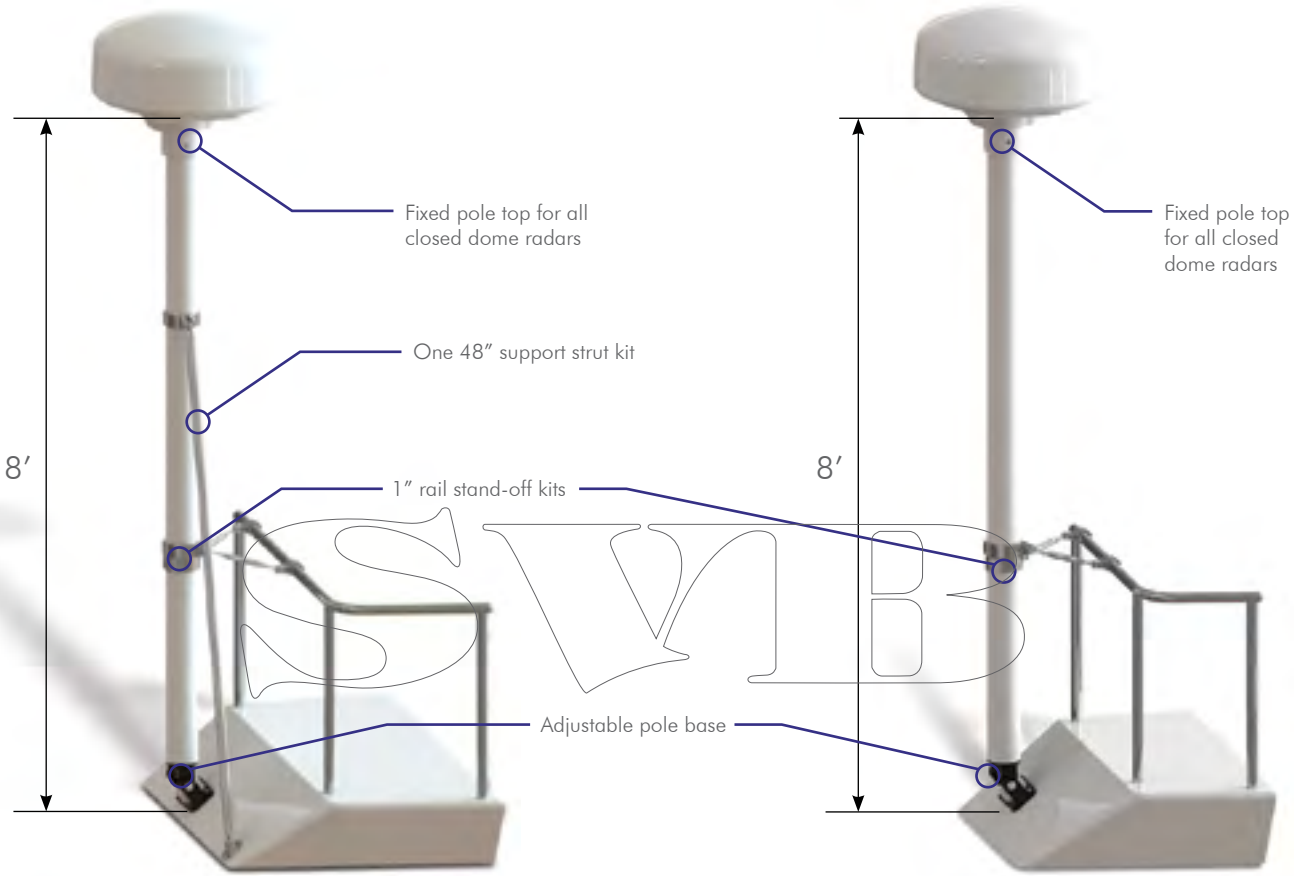


MAST PLATFORMS

RADAR MAST POLE KIT

Radar Masts For Sail Boats & Trawlers

Seaview offers a pole mount for just about any application. The two most common pole kits are the 8' or 10' tall pole kits. Additional sizes are available, please call to special order. The adjustable base has a small 5¼" x 3" footprint, and water tight cable gland, which can be easily disassembled for pole removal.



RM8148 8' Tall Kit

- » Fixed pole top
- » One 48" strut
- » One 1" rail stand off kit
- » Adjustable base

RM8KT1 8' Tall Kit

- » Fixed pole top
- » One 1" rail stand off kit
- » Adjustable base

8' TALL POLE KIT (For 3" Diameter Mast)

*Fixed Top, Adjustable Base, Pole & 48" Strut Kit and One Rail Stand-Off Kit	RM8148
*Fixed Top, Adjustable Base, Pole & One Rail Stand-Off Kit	RM8KT1
*Fixed Top, Adjustable Base, Pole & Two 48" Strut Kits	RM848S

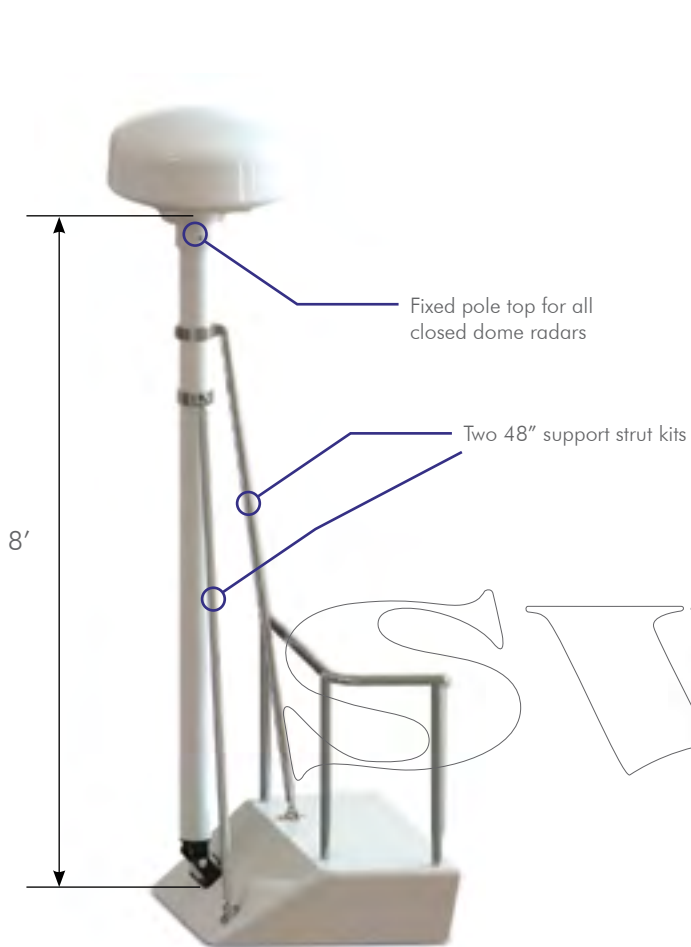
10' TALL POLE KIT (For 3" Diameter Mast)

*Self-Leveling Top, Adjustable Base, Pole & 60" Strut Kit & One Rail Stand-Off Kit	SL10160
--	----------------

*Does not fit 24" JRC, Lowrance 2400 HD & Simrad DX64S



The rail stand-off kit includes two turnbuckle style "arms" that are adjustable from 6" to 12", two stainless steel 3" pole clamps and two stainless steel 1" rail clamps.



RM848S 8' Tall Kit

- » Fixed pole top
- » Two 48" strut kits
- » Adjustable base



SL10160 10' Tall Kit

- » Self leveling pole top
- » One 60" strut kits
- » One 1" rail stand off kit
- » Adjustable base



High polished stainless steel strut supports.



Self leveling pole top with adjustable stainless steel bracket. This will not fit a 24" JRC, Lowrance 2400HD or Simrad DX64S satdomes.



A hard anodized adjustable base with a water tight cable gland.

BUILDING YOUR OWN POLE

5 Simple Steps to Building Your Own Pole System

STEP 1 - CHOOSE TUBE

TUBE		
3" TUBE	Powder coated white (Ordered by the foot)	RP3-TUBE
	UV protected clear coat carbon tube (Ordered by the foot)*	RP3-TUBE-CB
4" TUBE	Powder coated white (Ordered by the foot)	RP4-TUBE
	UV protected clear coat carbon tube (Ordered by the foot)*	RP4-TUBE-CB

When ordering the quantity is the length of tubing. Example: A quantity of 8 equals an 8' pole.
*Special order



When ordering please specify the length you of tube you want. 3" & 4" diameter tubes are available.

STEP 2 - CHOOSE YOUR TOP STYLE

POLE TOP		
Modular pole top for 3" or 4" tube (must use ADA top plate)		MOD-TOP-PTM1
Wind Generator pole top for ATMB D-400, for 3" tube only		WG-TDA-003
Wind Generator pole top for Aerogen 12V, for 4" tube only		WG-TDA-004
Wind Generator pole top for Aerogen 24V, for 4" tube only		WG-TDA-005
Self leveling pole top with stainless steel basket**		SLP-1S

** Does not fit 24" JRC, Lowrance 2400 HD & Simrad DX645



From left to right, universal fixed top, self leveling top and wind generator.

STEP 3 - CHOOSE TOP PLATE

Select the appropriate Seaview Top Plate for your closed dome radar or satdome. Refer to the "M1" column of the Top Plate reference guide on page 7 of this catalog. **Please note that Seaview pole mounts are only for closed dome radars or satdomes.**



ADA-R1 Top Plate shown, refer to page 7 for your correct Top Plate.

STEP 4 - CHOOSE BASE & BASE ACCESSORIES

BASE		
3" TUBE	Fixed Pole Base (10 1/2" diameter round base)	RM-FB-300
	Adjustable Pole Base (5 1/4" x 3" base)	RM-3AB
	2' long fiberglass tube for thru-hull pole installation (3" diameter pole)	RP-3FG-TB
4" TUBE	Fixed Pole Base (10 1/2" diameter round base)	RM-FB-400
	Adjustable Pole Base (5 1/4" x 3" base)	RM-4AB
	2' long fiberglass tube for thru-hull pole installation (4" diameter pole)	RP-4FG-TB



The fixed base **RM-FB-300** on the left and the adjustable base **RM-3AB** on the right.

STEP 5 - CHOOSE YOUR ACCESSORIES

LIGHT BARS / LIGHT BAR TOPS / SPREADER KITS		
ALL POLES	Refer to pages 8 to find the appropriate Light Bar for your application. Please note that lights are sold separately.	LIGHT BARS
	Refer to page 9 for all available Light Bar Tops.	LIGHT BAR TOPS
	Floodlight kit for light bars 1.25" diameter (includes LED floodlight & hardware)	PM-114LT-DLX
	Floodlight kit for light bars 1.25" diameter (includes 4" x 6" 55-watt quartz halogen floodlight & hardware)	PM-114LT-LED
	Complete spreader kit for radar or satdome applications / no additional accessories required*	SP1-MOD



Pole setup with **ADA-R1** top plate, **SP1-MOD** spreader kit, **LTB-R** light bar, **LTBP-1197** light, and **PM-114-LT-LED** floodlight kit.

SYSTEM

STEP 5 - CONTINUED...

ACCESSORIES (3" Diameter Masts)		
3" DIAMETER POLES	1" Rail mount kit (2x RM-CL-300, 2x RM-SS-TBL, 2x RM-CL-100)	RM3-KIT-1
	1 1/4" Rail mount kit (2x RM-CL-300, 2x RM-SS-TBL, 2x RM-CL-114)	RM3-KIT-114
	48" Stainless steel strut kit (2x RM-SS-48, 2x RM-CL-300, 2x RM-TPE)	RM3-48-S
	60" Stainless steel strut kit (2x RM-SS-60, 2x RM-CL-300, 2x RM-TPE)	RM3-60-S
	72" Stainless steel strut kit (2x RM-SS-72, 2x RM-CL-300, 2x RM-TPE)	RM3-72-S
	1" Rail mount kit & 48" stainless steel strut kit (1x RM-SS-48, 1x RM-CL-300, 1x RM-TPE, RM3-KIT-1)	RM3-RS-1
	1" Rail mount kit & 60" stainless steel strut kit (1x RM-SS-60, 1x RM-CL-300, 1x RM-TPE, RM3-KIT-1)	RM3-RS-160
	1" Rail mount kit & 72" stainless steel strut kit (1x RM-SS-72, 1x RM-CL-300, 1x RM-TPE, RM3-KIT-1)	RM3-RS-172
	Trim ring for thru-deck installation, machined starboard	RM-3TRIM
	Floodlight kit (includes 4" x 6" 55-watt quartz halogen floodlight & hardware)	RM-3LT-DLX
	Floodlight kit for 3" diameter pole (includes LED floodlight & hardware)	RM-3LT-LED
	Removable outboard lifting davit, includes block & tackle hoist (lifts up to 150lbs)	RM3-LIFT
	3" Stainless steel clamp	RM-CL-300
ACCESSORIES (4" Diameter Masts)		
4" DIAMETER POLES	1" Rail mount kit (2x RM-CL-400, 2x RM-SS-TBL, 2x RM-CL-100)	RM4-KIT-1
	1 1/4" Rail mount kit (2x RM-CL-400, 2x RM-SS-TBL, 2x RM-CL-114)	RM4-KIT-114
	48" Stainless steel strut kit (2x RM-SS-48, 2x RM-CL-400, 2x RM-TPE)	RM4-48-S
	60" Stainless steel strut kit (2x RM-SS-60, 2x RM-CL-400, 2x RM-TPE)	RM4-60-S
	72" Stainless steel strut kit (2x RM-SS-72, 2x RM-CL-400, 2x RM-TPE)	RM4-72-S
	1" Rail mount kit & 48" stainless steel strut kit (1x RM-SS-48, 1x RM-CL-400, 1x RM-TPE, RM3-KIT-1)	RM4-RS-1
	1" Rail mount kit & 60" stainless steel strut kit (1x RM-SS-60, 1x RM-CL-400, 1x RM-TPE, RM3-KIT-1)	RM4-RS-160
	1" Rail mount kit & 72" stainless steel strut kit (1x RM-SS-72, 1x RM-CL-400, 1x RM-TPE, RM3-KIT-1)	RM4-RS-172
	Trim ring for thru-deck installation, machined starboard	RM-4TRIM
	Floodlight kit (includes 4" x 6" 55-watt quartz halogen floodlight & hardware)	RM-4LT-DLX
	Floodlight kit for 4" diameter pole (includes LED floodlight & hardware)	RM-4LT-LED
	Removable outboard lifting davit, includes block & tackle hoist (lifts up to 150lbs)	RM4-LIFT
	4" Stainless steel clamp	RM-CL-400
OTHER ACCESSORY COMPONENT PARTS		
ALL POLES	48" Stainless steel strut 0.875" diameter	RM-SS-48
	60" Stainless steel strut 0.875" diameter	RM-SS-60
	72" Stainless steel strut 0.875" diameter	RM-SS-72
	1" Stainless steel rail clamp	RM-CL-100
	1 1/4" Stainless steel rail clamp	RM-CL-114
	Stainless steel toggle pad eye and base for stainless steel struts	RM-TPE
	Adjustable stainless steel turnbuckle for rail mount kits	RM-SS-TBL



LIFTING DAVIT Removable outboard lifting davit, includes block & tackle hoist. Lifts up to 150 lbs. Available for both 3" & 4" poles.



FLOODLIGHT KIT Enhance your visibility with a floodlight kit. Available for both 3" & 4" poles. Includes a 4"x6" 55-watt quartz halogen floodlight and hardware.



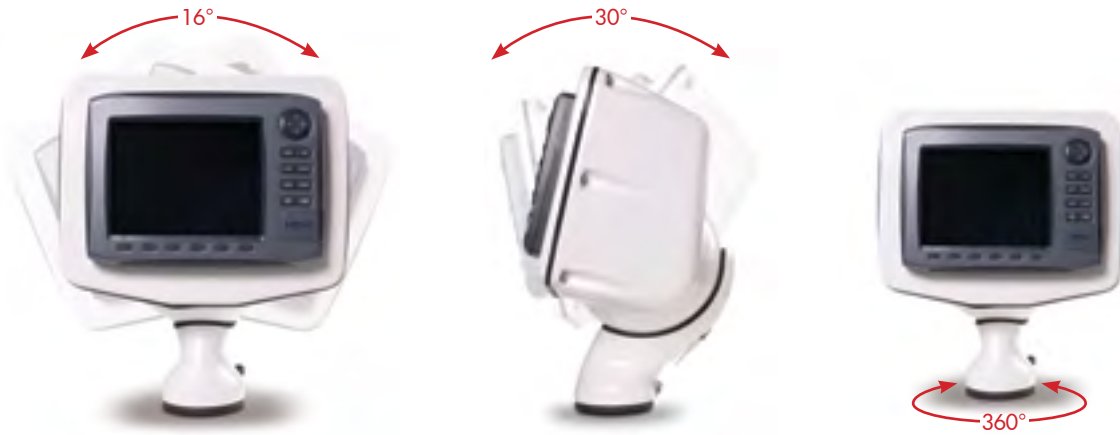
LED FLOODLIGHT KIT Enhance your visibility with a LED floodlight kit. Available for both 3" & 4" poles. This kit includes 1 1/4" stainless steel clamp, mounting hardware & Hella 0670 Sea Hawk LED Floodlight.

POWER PODS

For Most Instruments and Displays



- » **Supplied pre-cut or uncut for your convenience**
- » **GORE™ protective vent relieves pressure buildup**
- » **Can be mounted vertical or upside down. *Except for PODW-5-UC & POD-5-UC***
- » **Fully adjustable mounting base for better viewing**



DIMENSIONS

	A inch /mm	B inch /mm	C inch /mm	D inch /mm	E inch /mm	F ¹ inch /mm	F ² inch /mm	G ¹ inch /mm	G ² inch /mm
PODW-1-UC	10 / 254	14 / 355.6	4 / 101.6	10 / 254	8.2 / 208.3	9.5 / 241.29	9 / 228.6	8.5 / 215.89	8.5 / 215.89
PODW-2-UC	13 / 330	14.5 / 368.3	4 / 101.6	9.5 / 241.3	8.2 / 208.3	12.5 / 317.5	12.125 / 307.97	9.25 / 234.95	9 / 228.6
PODW-3-UC	15 / 381	15 / 381	4 / 101.6	10 / 254	8.2 / 208.3	14.25 / 361.95	13.875 / 352.42	9.5 / 241.29	9.5 / 241.29
PODW-4-UC	17 / 431.8	17 / 431.8	4 / 101.6	11.5 / 292.1	8.2 / 208.3	16.25 / 412.75	15.875 / 403.22	11.5 / 292.09	11.5 / 292.09
PODW-5-UC	18.5 / 470	20.5 / 520.7	4 / 101.6	15 / 381	9.6 / 243.8	17.25 / 438.15	17.5 / 444.5	14.75 / 374.65	14.5 / 368.29

Uncut Pod Box Size	Seaview Part Number	
	Item # (Black Base)	Item # (White Base)
UNCUT		
1	9.5" x 8.5"	POD-1-UC PODW-1-UC
2	12.5" x 9.25"	POD-2-UC PODW-2-UC
3	14.25" x 9.5"	POD-3-UC PODW-3-UC
4	16.25" x 11.5"	POD-4-UC PODW-4-UC
5	17.25" x 14.75"	POD5-UC PODW-5-UC

Refer to the uncut pod box size next to your electronics.

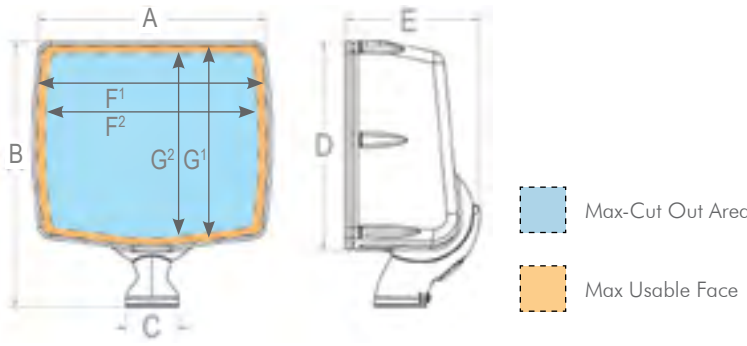
Please note that these Power Pods come uncut. Seaview can cut the Power Pod to fit your electronics (refer to price list for cut charge). When ordering use part number **POD-CUT** and a description of the electronics.

Allow for 3-5 days when ordering a pre-cut Power Pod

Pod Box Size Needed For Your Electronics

	Uncut Pod Box Size
B&G	
Z7, Z8	2
T12, Z12	4
FURUNO	
1623, 1715	1
GP150D, GP1670, GP1870, GP7800, MFD8	2
1964C	3
MFD12	4
GARMIN	
527, 547, 741, 70s	1
6008, 6208, 8008, 8208	2
6012, 6212, 7012, 7212, 8012, 8212	4
7015, 7215, 8015, 8215	5
HUMMINBIRD	
500, 700 Series	1
800, 900 Series, ONIX 8, ONIX 10	2
1100 Series, ION 10	3
ION 12	4

	Uncut Pod Box Size
LOWRANCE	
HDS-5, HDS-5M, HDS-5X, HDS-7, HDS-7M	1
HDS-8, HDS-8M	2
HDS-10, HDS-10M	3
RAYMARINE	
a65, a67, a68, a75, a77, a78, e7, e7D	1
e9, c95, c97, e95, e97	2
c125, c127, e125, e127	3
SIMRAD	
NSS7	1
NSS8, NSE8	2
NSS12, NSE12	4
SITEX	
EC5, EC7, SNS 700	1
EC11, SNS 1100	3
STANDARD HORIZON	
CPN700i, CP190i, CP390i, CPF190i	1
CPN1010i	2
CP590	3
ICOM	
MXD5000	4



SPOD & DPOD

Sail & Deck Pods For Most Instruments and Displays

SPOD



Water tight gasket

The **SPOD** fits the majority of steering gear including Jefa, Whitlock and Edson.

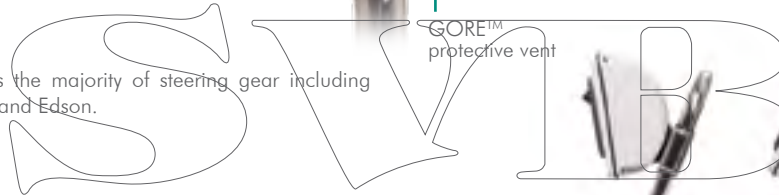


A SP1S can also be used to mount a single instrument to your rail as well as onto your **SPOD** or **DPOD**.



Two high polished stainless steel clamps are used to secure your **SPOD** to a 1", 1 1/8" or 1 1/4" (25mm to 32mm) rails.

The **SPOD** fits standard 12", 9 1/2" and non standard guard rails.



GORE™ protective vent



The **SPOD** has a wide mounting angle, allowing for precise viewing. Angle is set during installation.

DPOD



GORE™ protective vent

Anodized aluminum rotating base

UV resistant ABS plastic

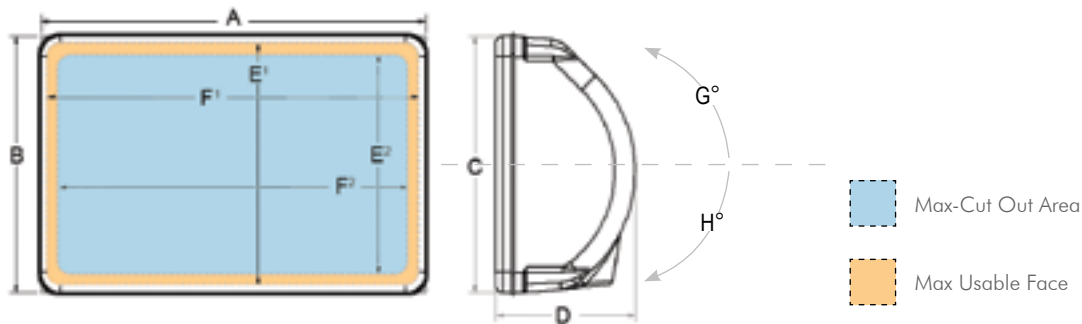


Tamper proof screws are used to secure the UV protected ABS plastic housing of both the **SPOD** and **DPOD**.



Simply pull the secure bolt out and rotate the **DPOD** up to 350°.

DIMENSIONS



	A inch / mm	B / C inch / mm	D inch / mm	F ¹ inch / mm	E ¹ inch / mm	F ² inch / mm	E ² inch / mm	G	H
	Overall Dimensions			Max Usable Face		Max Cut Out Area			
SPOD									
SP1S	5.038 / 127.97	5.163 / 131.14	3.125 / 79.375	4.625 / 117.47	4.625 / 117.47	4.125 / 104.77	4.125 / 104.77	NA	NA
SP2S	12.305 / 312.55	7.555 / 191.89	5.08 / 129.03	11.75 / 298.45	7 / 177.80	11 / 279.40	6.125 / 155.57	26°	12°
SP3S	14.25 / 361.95	9.5 / 241.30	5.147 / 130.73	13.75 / 349.25	9 / 228.60	12.938 / 328.63	8.125 / 206.37	32°	30°
SP4S	17.5 / 444.50	12.75 / 323.85	5.7 / 144.78	16.938 / 430.23	12.25 / 311.15	16 / 406.40	11.25 / 285.75	10°	7°
SP5S	15.25 / 387.35	5.5 / 139.70	3.185 / 80.899	14.75 / 374.65	5 / 127	13.875 / 352.42	4.125 / 104.77	6°	6°

DPOD									
SP2P	12.305 / 312.55	7.555 / 191.89	5.08 / 129.03	11.75 / 298.45	7 / 177.80	11 / 279.40	6.125 / 155.57		
SP3P	14.25 / 361.95	9.5 / 241.30	5.147 / 130.73	13.75 / 349.25	9 / 228.60	12.938 / 328.63	8.125 / 206.37		
SP5P	15.25 / 387.35	5.5 / 139.70	3.185 / 80.899	14.75 / 374.65	5 / 127	13.875 / 352.42	4.125 / 104.77		

Accessory

SP1BOX	5.038 / 127.97	5.163 / 131.14	3.125 / 79.375	4.625 / 117.47	4.625 / 117.47	4.125 / 104.77	4.125 / 104.77		
--------	----------------	----------------	----------------	----------------	----------------	----------------	----------------	--	--

SPOD & DPOD ACCESSORIES



SP1BOX allows you to mount additional instruments to your SPOD or DPOD.



Two SP1BOX on a SPOD.



Back view of SP1BOX.

SPOD & DPOD PART # GUIDE

	SPOD Part #	DPOD Part #
B&G		
Z7, Z8	SP3S	SP3P
T12, Z12	SP4S	—
FURUNO		
GP150D, GP1670, GP1870, GP7800	SP2S	SP2P
1623, 1715	SP3S	SP3P
MFD8	SP3SMFD8*	SP3PMFD8*
1964C, TZT114, MFD12	SP4S	—
GARMIN		
527, 547, 741, 70s	SP2S	SP2P
4008, 4208, 5008, 5208	SP3S	SP3P
6008, 6208	SP3SG6*	SP3PG6*
8008, 8208	SP3SG8*	SP3PG8*
6012, 6212	SP4SG6*	—
7012, 7212	SP4SG712*	—
7012, 7215	SP4SG715*	—
8012, 8212	SP4S	—
8015, 8215	SP4S	—
HUMMINBIRD		
500, 700, 800, 900 Series	SP2S	SP2P
ONIX 8, ONIX 10	SP3S	SP3P
ION 10, ION 12, 1100 Series	SP4S	—

	SPOD Part #	DPOD Part #
LOWRANCE		
HDS-5, HDS-5M, HDS-5X, HDS-7, HDS-7M	SP2S	SP2P
HDS-8, HDS-8M	SP3S	SP3P
HDS-10, HDS-10M	SP3S	SP3P
RAYMARINE		
a65, a67, a68, a75, a77, a78, e7, e7D, e9, c95, c97, e95, e97	SP2S	SP2P
c125, c127, e125, e127	SP4S	—
SIMRAD		
NSS7	SP2S	SP2P
NSS8, NSE8	SP3S	SP3P
NSS12, NSE12	SP4S	—
SITEX		
EC5, EC7, SNS 700	SP2S	SP2P
EC11, SNS 1100	SP4S	—
STANDARD HORIZON		
CPN700i, CP190i, CP390i, CPF190i, CPF390i	SP2S	SP2P
CPN1010i	SP3S	SP3P
CP590	SP4S	—
ICOM		
MXD5000	SP4S	—

SPOD & DPOD

BACKSTAY MOUNT

Keep Your Radar Antenna Level With The Horizon

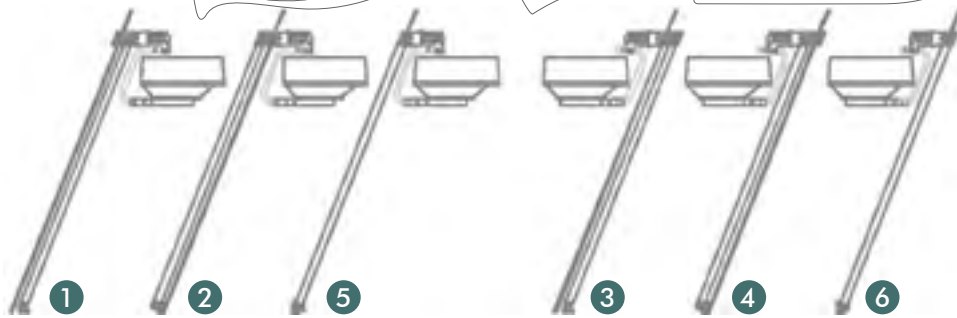


- » **No port or starboard radar target loss**
- » **Economical and easy installation**
- » **Hydraulically damped**



The Seaview Backstay System can be installed in six different configurations. Over the backstay either forward or aft mounted. Behind the backstay either forward or aft mounted. And in front of the backstay either forward or aft mounted radome. Installation does not require modification to the vessel or rigging including those with hydraulic backstay adjusters.

Part number **SLB1** (for 18" closed dome radars)



Deck Mount

1. Radome forward - pole forward of the backstay
2. Radome forward - pole aft of the backstay
3. Radome aft - pole forward of the backstay
4. Radome aft - pole aft of the backstay

Chain Plate Mount

5. Radome forward
6. Radome aft

Accessories

SV GPS3 = Single antenna mounting kit

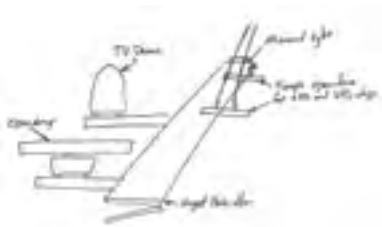
SV DBA2 = Double antenna mounting kit



Single antenna mounting kit shown here.

CUSTOM & OEM DIVISION

Complete Custom Design & Production Specific to Your Application



FIRST SKETCH

A quick sketch over the phone going over what you want to look like.



DESIGN

Dimensional CAD drawing along with a 3D view as seen in examples below are provided to the customer for review.



FINISHED MOUNT

Please allow for 3-4 weeks to complete custom mount.

Visit WWW.SEAVIEWGLOBAL.COM for more!

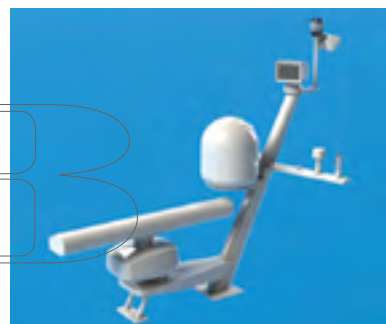
Here are some examples of custom mounts that we have done. For more examples visit our website at

www.seaviewglobal.com

Or give us a call today to get your custom mount started!



Model #1



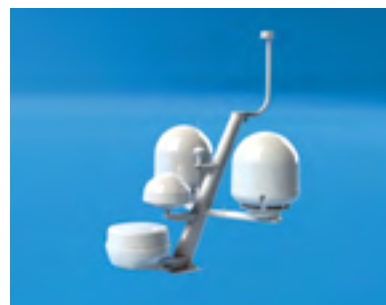
Model #8



Model #14



Model #17



Model #22



Model #23

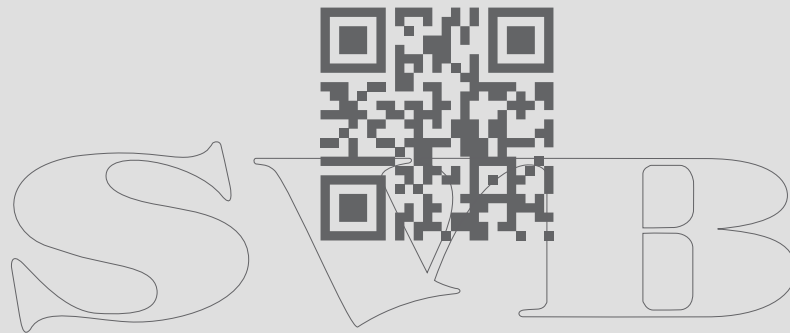


Model #32



A Seaview custom arch for a Beneteau 58

WWW.SEAVIEWGLOBAL.COM



Headquarters

12532 Beverly Park Road
Lynnwood, WA 98087
+1 (800) 523 - 7558
jr@pyiinc.com
www.seaviewglobal.com

European Office

ZI du Capitou, 85 rue Louis Lepine
83600 Frejus - France
+33 4 94 5327 70
info@seaviewprogress.com
www.seaviewprogress.com