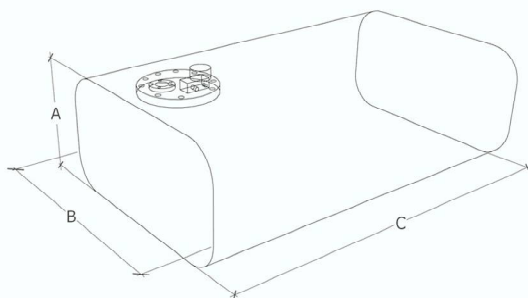
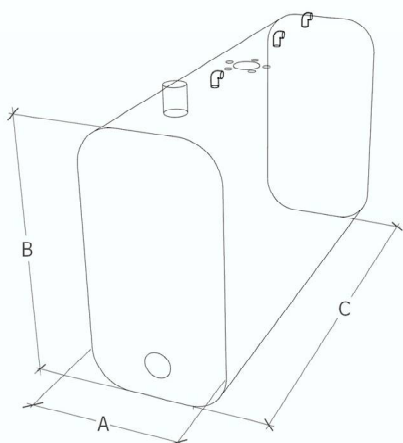


# TABELLA SERBATOI ORIZZONTALI STANDARD

## TABLE FOR HORIZONTAL STANDARD TANKS



A = altezza / height  
B = larghezza / depth  
C = lunghezza / length

<b>D</b>	<b>E</b>	<b>F</b>	<b>G</b>	<b>H</b>	<b>I</b>	<b>L</b>	<b>M</b>	<b>N</b>
B x A 300x250	B x A 300x300	B x A 320x170	B x A 350x200	B x A 350x280	B x A 400x200	B x A 400x250	B x A 400x280	B x A 400x300

<b>C = 300</b>	LT. articolo/code spessore/thickness	D22000 1	E27000 1	F16000 1	G21000 1	H29000 1	I24000 1	L30000 1	M33000 1	N36000 1
<b>C = 400</b>	LT. articolo/code spessore/thickness	D30000 1	E36000 1	F21000 1	G28000 1	H39000 1	I32000 1	L40000 1	M44000 1	N48000 1
<b>C = 500</b>	LT. articolo/code spessore/thickness	D37000 1	E45000 1	F27000 1	G35000 1	H49000 1	I40000 1	L50000 1	M56000 1	N60000 1
<b>C = 600</b>	LT. articolo/code spessore/thickness	D45000 1	E54000 1	F32000 1	G42000 1	H58000 1	I48000 1	L60000 1	M67000 1	N72000 1
<b>C = 700</b>	LT. articolo/code spessore/thickness	D52000 1	E63000 1	F38000 1	G49000 1	H69000 1	I56000 1	L70000 1	M78000 1	N84000 1
<b>C = 800</b>	LT. articolo/code spessore/thickness	D60000 1	E72000 1	F43000 1	G56000 1	H78000 1	I64000 1	L80000 1	M89000 1	N96000 1
<b>C = 900</b>	LT. articolo/code spessore/thickness	D67000 1	E81000 1	F49000 1	G63000 1	H89000 1	I72000 1	L90000 1	M10000 1	N10800 1,2
<b>C = 1000</b>	LT. articolo/code spessore/thickness	D75000 1	E90000 1	F54000 1	G70000 1	H98000 1	I80000 1	L10000 1	M11200 1,2	N12000 1,2
<b>C = 1100</b>	LT. articolo/code spessore/thickness	D82000 1	E99000 1	F59000 1	G77000 1	H10700 1,2	I88000 1	L11000 1,2	M12300 1,2	N13200 1,2
<b>C = 1200</b>	LT. articolo/code spessore/thickness	D90000 1	E10800 1,2	F65000 1	G84000 1	H11700 1,2	I96000 1	L12000 1,2	M13400 1,2	N14400 1,2
<b>C = 1300</b>	LT. articolo/code spessore/thickness	D97000 1	E11700 1,2	F70000 1	G91000 1	H12700 1,2	I10400 1,2	L13000 1,2	M14500 1,2	N15600 1,2
<b>C = 1400</b>	LT. articolo/code spessore/thickness	D10500 1,2	E12600 1,2	F76000 1	G98000 1	H13700 1,2	I11200 1,2	L14000 1,2	M15600 1,2	N16800 1,2
<b>C = 1500</b>	LT. articolo/code spessore/thickness	D11200 1,2	E13500 1,2	F81000 1	G10500 1,2	H14700 1,2	I12000 1,2	L15000 1,2	M16800 1,2	N18000 1,2