

BILGE BLOWER

Certificated by ISO 8846-Direction CE94/25N°3016808
ISO 10330, 9097.



- Extended Life Motor.
- Tough Reinforced Thermoset Plastic Housing
 - Mounts To Any Flat Surface
 - Slip-On Inlet Ducting Connection
 - Efficient High Volume Air Flow
 - Low-Current Draw
 - Corrosion-Resistant Materials
 - Meets USCG Electrical Regulations
 - ISO 8846, 10133, 9097
 - CE Conforms with EN 55014 for Suppression of Electro-magnetic interference

FLANGE MOUNT.

CAPACITY: 280 m3/h 163cfm DIMENSIONS:200x165x195mm PORT CONNECTIONS:Inlet: 75 mm -Outlet: 72 mm CD. 5500001212 12 V. Amp 3,9 CD. 5500001224 24 V. Amp 2,5
CAPACITY: 550 m3/h 324cfm DIMENSIONS:290x257x150 mm PORT CONNECTIONS:Inlet:110 mm -Outlet:103 mm CD. 5500101212 12 V. Amp 11,5 CD.5500121224 24 V. Amp 7,0
CAPACITY:750 m3/h 441 cfm DIMENSIONS:290x257x150 mm PORT CONNECTIONS: Inlet:150 mm -Outlet:103 mm CD. 5500101412 12 V. Amp 19 CD. 5500101424 24 V. Amp 11
CAPACITY:1000 m3/h 589CFM DIMENSIONS:290x257x180 mm PORT CONNECTIONS:Inlet:150 mm -Outlet:103 mm CD. 5500101624 24 V. Amp 16

FLEX MOUNT.

CAPACITY: 550 m3/h 324CFM DIMENSIONS:290x257x150 mm PORT CONNECTIONS:Inlet:110 mm -Outlet:103mm CD. 5500102212 12 V. Amp 11,5 CD.5500122224 24 V. Amp 7,0
CAPACITY:750 m3/h 441 cfm DIMENSIONS:290x257x150 mm PORT CONNECTIONS: Inlet:150 mm -Outlet:103 mm CD. 5500102412 12 V. Amp 19 CD. 5500102424 24 V. Amp 11
CAPACITY:1000 m3/h 589 cfm DIMENSIONS:290x257x180mm PORT CONNECTIONS:Inlet:150 mm - Outlet:103 mm CD. 5500102624 24 V. Amp 16

Flex mount:

Blower is mounted on a flat bulkhead surface in highest part of compartment free from spray or deck wash. Use a suitable discharge fitting so that static pressure of blower will not be affected by change in wind direction. Route inlet ducting with as few bends as possible to lower 1/3 of the bilge compartment where vapors are likely to accumulate. Be sure ducting is positioned below top of engine stringers but not so low as to become submerged in bilge water. Locate pickup to take advantage of natural airflow direction.

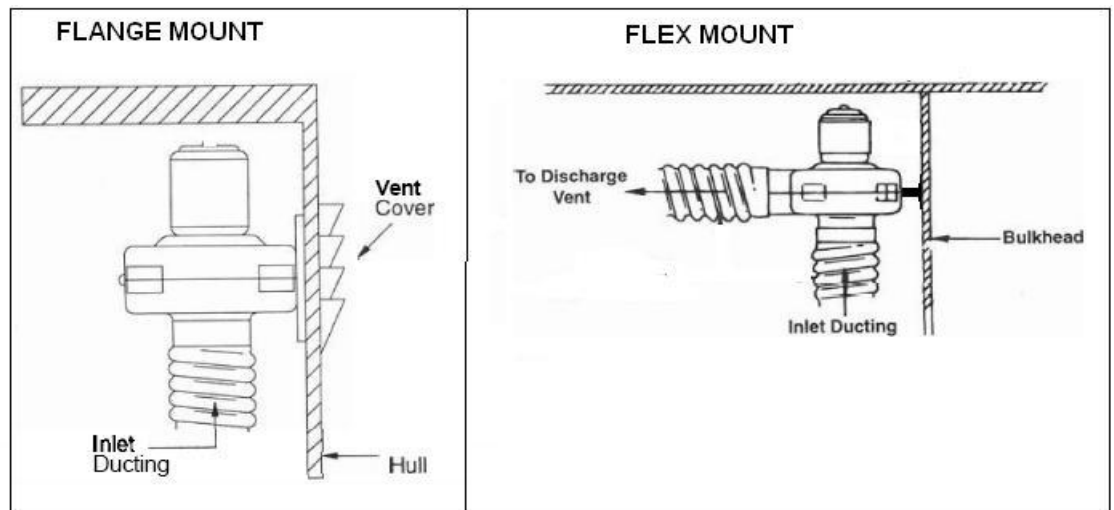
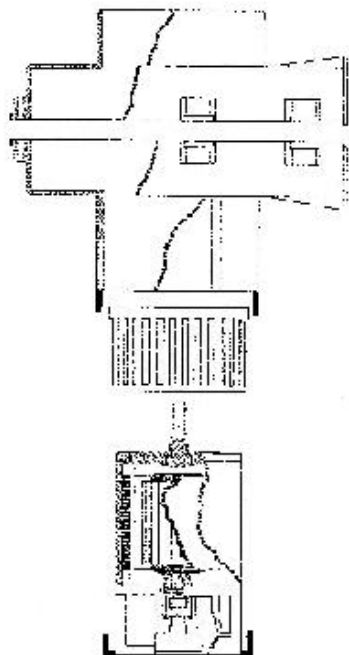
Flange mount:

Blower is mounted on flat bulkhead surface In highest part of compartment free from spray or deck wash. Cut a hole in bulkhead and secure blower with washers and screws dia. 6 (NOTICE: Tighten screws evenly to avoid flange damage). Use the suitable discharge fitting so that static pressure of blower will not be affected by change in wind direction. Route inlet ducting with as few bends as possible to lower 1/3 of the bilge compartment where vapors are likely to accumulate. Be sure ducting is positioned below top of engine stringers but not so low as to become submerged in bilge water. Locate pickup to take advantage of natural air flow direction.

Electrical Connection

WIRING: Use stranded copper wire. For lengths up to 25 feet (7,6 in) from power source: Use 2 mm. wire for 12 volt and 1.5 wire for 24 volt. Use larger wire for longer lengths. Circuit must be protected with a fuse. Suggested fuse sizes are listed in the specification table. Fuse size: 5 Amp for 280 m3/h. 10 Amp x 550 m3/h 24V, 15 Amp x 550 m3/h 12v. 15 Amp x 750 m3/h 24V, 20 Amp x 750 m3/h 12v. And 1000 m3/h 24V.

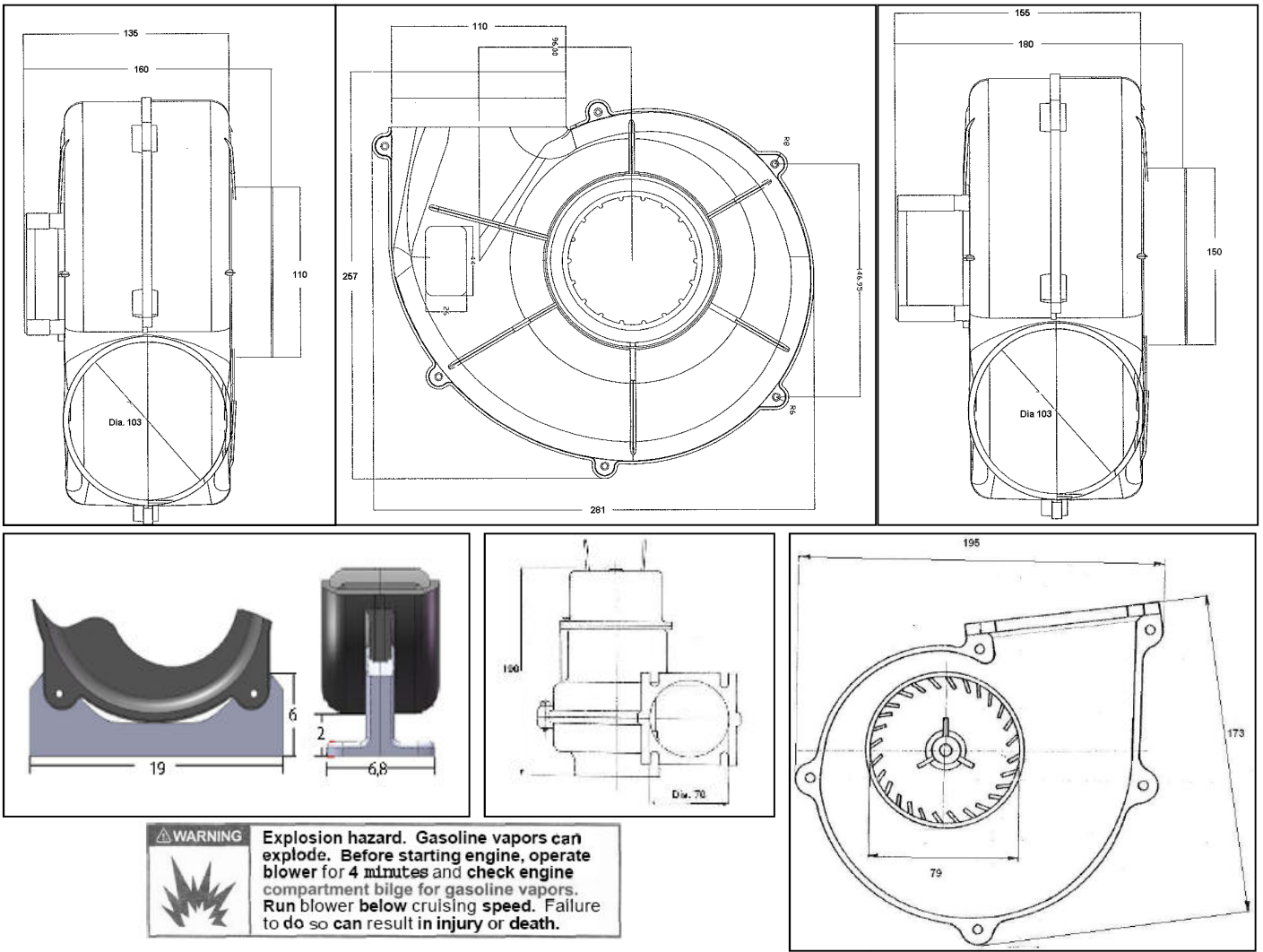
EXPLODED VIEW:



- 1) 6000001212 MOTOR BLOWER 12 V 280 M3/H
- 2) 6000001224 MOTOR BLOWER 12 V 280 M3/H
- 3) 6000101212 MOTOR BLOWER 12 V 550 M3/H
- 4) 6000101224 MOTOR BLOWER 24 V 550 M3/H
- 5) 6000101412 MOTOR BLOWER 12 V 750 M3/H
- 6) 6000101424 MOTOR BLOWER 24 V 750 M3/H
- 7) 6000101624 MOTOR BLOWER 12 V 1000 M3/H

- 8) PL000BL004 BLOWER FAN 280 M3/H
- 9) PL000BL005 GRATE FOR 5500001212/24
- 10) PL000BL006 REDUCTION FOR 5500001212/24
- 11) 6000001210 BLOWER FAN (ALL OTHER MODELS)
- 12) PL000BL013 PLASTIC FLEXMOUNT (MODEL< 550 M3/H)

DIMENSIONS:



WARRANTY

A. LIMITED WARRANTY: MATROMARINE warrants that at the time of shipment, the products manufactured by MATROMARINE and sold hereunder shall be in conformity with applicable **written** specifications and descriptions referred to or set forth herein, free from defects in material and workmanship, merchantable, and suitable for a particular purpose, provided such is implied by State law under the circumstances of this sale.

1. Matromarine agrees to repair or furnish a replacement for, **but** not to remove or install, any product or component thereof which, within one
 - (1) year from date of purchase, shall upon test and examination by MATROMARINE
 - (2) prove defective within the above warranty. Receipt verifying purchase date is required to obtain the claimed goods

3. No product will be accepted for return or replacement without the prior written authorization of MAROMARINE. Upon such authorization, and in accordance with instructions from Matromarine, the product will be returned to our factory, shipping charges prepaid by Buyer. Products returned to the following address:

Matromarine products

Via Sereghe' 1
16017 Isola del Cantone (Ge) ITALY.