



COMPLETE MOUNTING SOLUTIONS  
FOR MARINE ELECTRONICS

# TABLE OF CONTENTS



**3-4**  
SINGLE MOUNTS



**5-6**  
DUAL MOUNTS



**7**  
TOP PLATES



**8-9**  
LIGHT BARS



**10**  
ACCESSORIES



**11**  
TAPERED MOUNTS



**12**  
STAINLESS STEEL MOUNTS



**13-14**  
LOW PROFILE SATDOME ADAPTERS



**15-16**  
CAMERA & SEARCHLIGHT MOUNTS



**17**  
DIRECT MOUNT WEDGES



**18-20**  
MAST MOUNTS



**21-24**  
POLE MOUNTS



**25-26**  
POWER PODS



**27-28**  
SAIL PODS & DECK PODS



**29**  
BACKSTAY MOUNT



**30**  
CUSTOM MOUNTS



For more information on Seaview products or to build your own mount please visit us on the web at [www.seaviewglobal.com](http://www.seaviewglobal.com)

Get social with us!



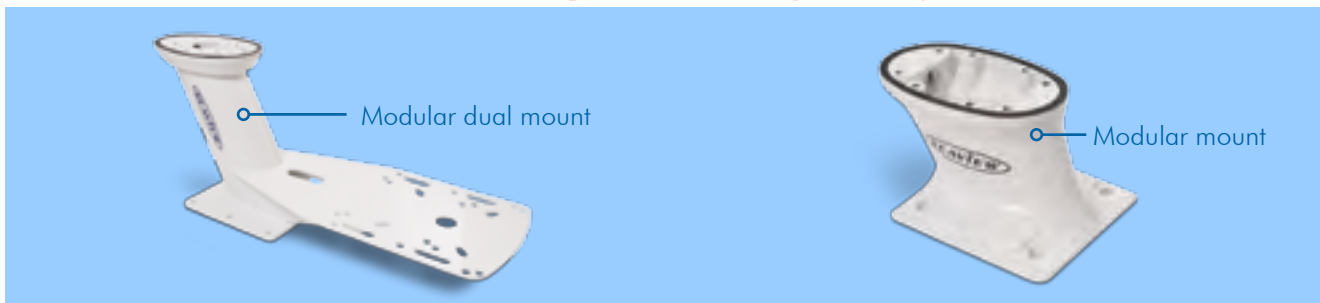
# MODULAR MOUNTS

For Radars, Open Arrays & Satdomes

## Easy 3 Step Solution

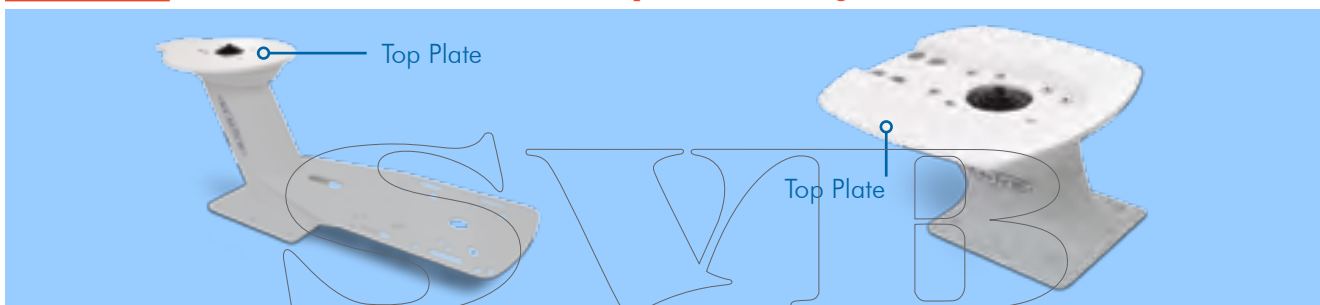
REQUIRED

**STEP 1: Select Mount Base Style and Height** - Pages 3-6



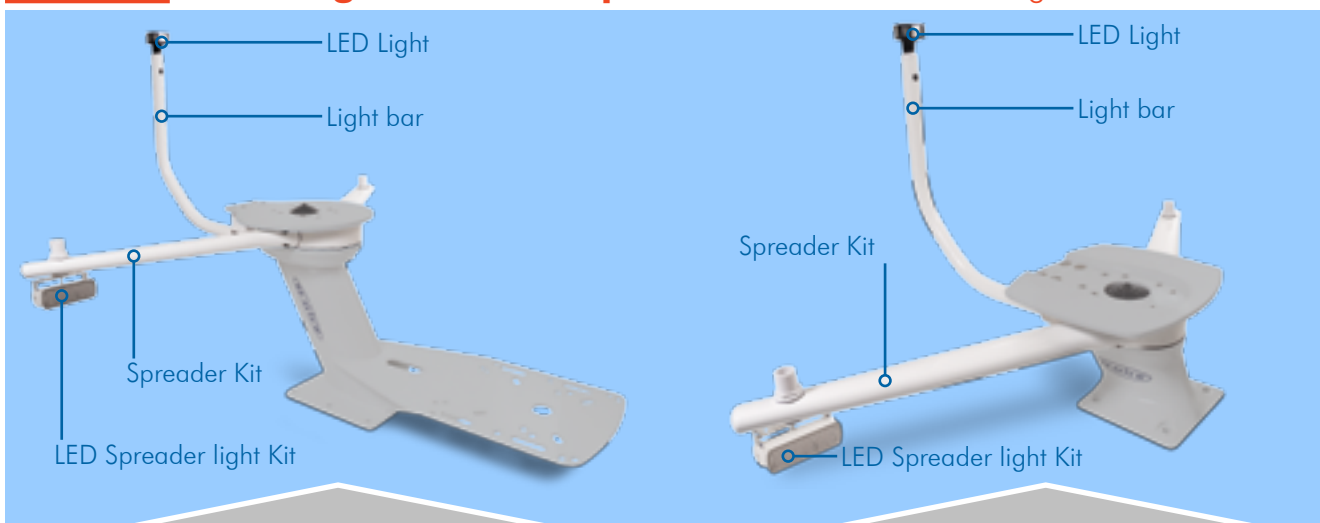
REQUIRED

**STEP 2: Choose Your Modular Top Plate** - Page 7



OPTIONAL

**STEP 3: Select Light Bar and Optional Accessories** - Pages 8-10



Complete part list for the above Dual Mount

- PMA-DM1-M2** - Modular dual mount
- ADA-S1** - Top plate
- LTB-S** - Light bar
- LTBA-7800** - LED light for any light bar
- SP2-MOD** - Spreader kit
- SP-LT-LED** - LED spreader light kit

Complete part list for the above radar mount

- PMA-57-M1** - Modular aft leaning mount
- ADA-R1** - Top plate
- LTB-R** - Light bar
- LTBA-7800** - LED Light for any light bar
- SP1-MOD** - Spreader kit
- SP-LT-LED** - LED spreader light kit

# STEP 1: CHOOSE MODULAR

High quality marine grade aluminum that is chem treated,

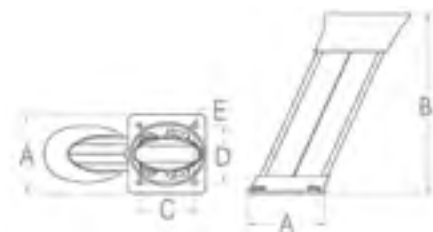
## FORWARD LEANING

- » 18" - 24" closed dome radars
- » 16" diameter or smaller satdomes



Radar

Satdome



Model #	A inch/mm	B inch/mm	C & D inch/mm	E inch/mm
<b>PMF-57-M1</b>	7 / 177.8	5 / 127	5 / 127	.5 / 12.7
<b>PMF-107-M1</b>	7 / 177.8	10 / 254	5 / 127	.5 / 12.7

*\*10" tall mounts are not to be used with open array radars.*

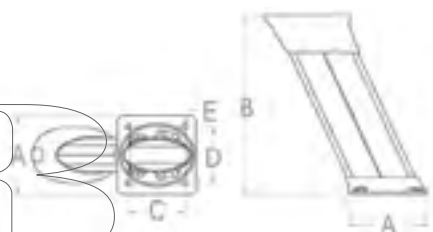
## AFT LEANING

- » 18" - 24" closed dome radars
- » 16" diameter or smaller satdomes



Radar

Satdome



Model #	A inch/mm	B inch/mm	C & D inch/mm	E inch/mm
<b>PMA-57-M1</b>	7 / 177.8	5 / 127	5 / 127	.5 / 12.7
<b>PMA-107-M1</b>	7 / 177.8	10 / 254	5 / 127	.5 / 12.7
<b>PMA-167-M1</b>	7 / 177.8	16 / 406.4	5 / 127	.5 / 12.7
<b>PMA-247-M1</b>	7 / 177.8	24 / 609.6	5 / 127	.5 / 12.7
<b>PMA-367-M1</b>	8 / 203.2	36 / 914.4	6.5 / 165.1	.5 / 12.7

*\*10"-36" tall mounts are not to be used with open array radars.*

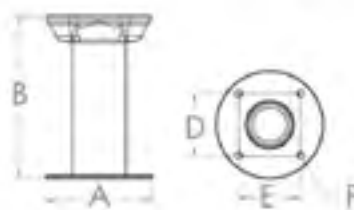
## VERTICAL

- » 18" - 24" closed dome radars
- » 24" diameter or smaller satdomes



Radar

Satdome



Model #	A inch/mm	B inch/mm	D & E inch/mm	F inch/mm
<b>AM5-M1</b>	8 / 203.2	5 / 127	4.6 / 116.8	.5 / 12.7
<b>AM12-M1</b>	8 / 203.2	12 / 304.8	4.6 / 116.8	.5 / 12.7
<b>AM18-M1</b>	8 / 203.2	18 / 457.2	4.6 / 116.8	.5 / 12.7

*\*Not to be used with open array radars.*

# SINGLE MOUNT & HEIGHT

primed & powder coated brilliant white.

## OPEN ARRAY RADAR MOUNT

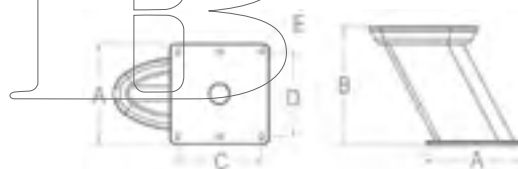
- » Up to 6' open array radars
- » Forward or aft leaning



Model #	A inch / mm	B inch / mm	C & D inch / mm	E inch / mm
<b>PMF-57-M1</b> (FWD Leaning)	7 / 177.8	5 / 127	5 / 127	.5 / 12.7
<b>PMA-57-M1</b> (AFT Leaning)	7 / 177.8	5 / 127	5 / 127	.5 / 12.7

## SATDOME MOUNT

- » 16" - 24" diameter satdomes
- » Aft leaning



Model #	A inch / mm	B inch / mm	C & D inch / mm	E inch / mm
<b>PMA-57-M1</b>	7 / 177.8	5 / 127	5 / 127	.5 / 12.7
<b>PMA-1210-M2</b>	10 / 254	12 / 304.8	8.5 / 215.9	.5 / 12.7
<b>PMA-1810-M2</b>	10 / 254	18 / 457.2	8.5 / 215.9	.5 / 12.7

\*Not to be used with open array radars.

All Modular Mounts are light bar & spreader kit compatible



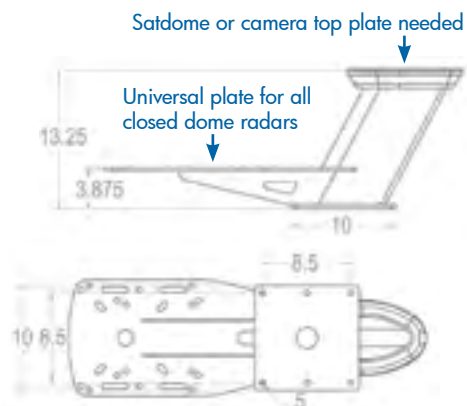
Seaview **Dual Mounts** are on pages **5 & 6**

# STEP 1: CHOOSE MODULAR

High quality marine grade aluminum that is chem treated,

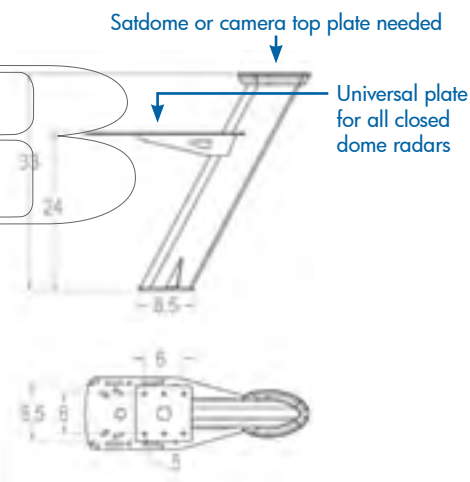
## PMA-DM1-M2

- » 18" - 24" closed dome radars
- » 16" - 24" satdomes
- » Cameras



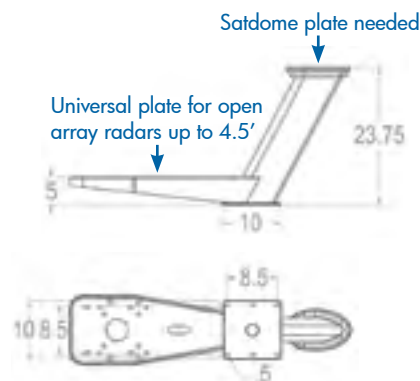
## PMA-DM124-M2

- » 18" - 24" closed dome radars
- » 16" - 18" satdomes
- » Cameras



## PMA-DM2-M2

- » Up to 4.5' open array radars
- » 16" - 24" satdomes

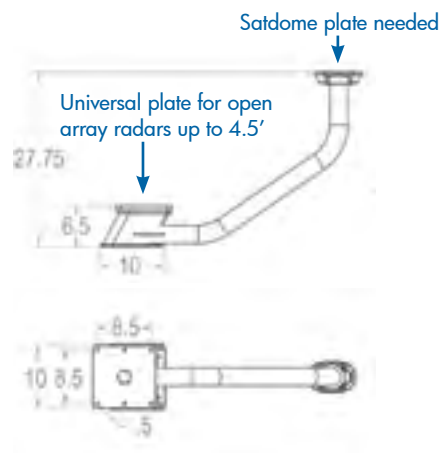


# DUAL MOUNT

primed & powder coated brilliant white.

## PMA-DM3-M1

- » Up to 4.5' open array radars
- » 16" - 18" satdomes



## ARCH-1M2

- » 18" - 24" closed dome radars
- » 16" - 24" satdomes
- » Cameras



Satdome or camera plate needed



## ARCH-2M2

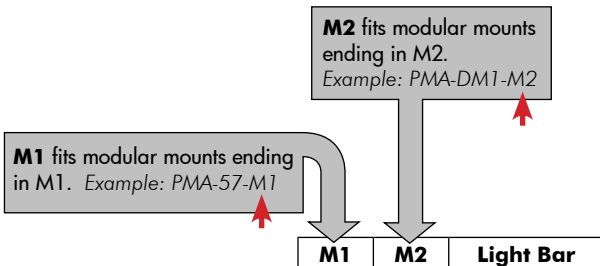
- » Up to 4.5' open array radars
- » 16" - 24" satdomes
- » Cameras



Satdome or camera plate needed



# STEP 2: CHOOSE TOP PLATE FOR MODULAR MOUNTS



	M1	M2	Light Bar
<b>COMNAV</b>			
Explorer V2/V3	ADA-F1	ADA-F1	LTB-S

	M1	M2	Light Bar
<b>FLIR</b>			
MD-Series, M-Series, Navigator	ADA-F1	ADA-F1	LTB-S

	M1	M2	Light Bar
<b>FURUNO</b>			
15" - 24" radar domes	ADA-R1	N/A	LTB-R
4'-6' Open array radar	ADA-R1	N/A	LTB-OA or LTB-OA-6
Open array radar 1942	ADA-R2	N/A	LTB-OA

	M1	M2	Light Bar
<b>GARMIN</b>			
18" - 24" radar domes	ADA-R1	N/A	LTB-R
4'-6' Open array radar	ADA-R1	N/A	LTB-OA or LTB-OA-6

	M1	M2	Light Bar
<b>GEONAV</b>			
24" radar domes	ADA-R1	N/A	LTB-R
4'-6' Open array radar	ADA-R1	N/A	LTB-OA or LTB-OA-6

	M1	M2	Light Bar
<b>GLOMEX</b>			
20" - 27" Satdome	ADA-S1	ADA-S3	LTB-S24

	M1	M2	Light Bar
<b>HUMMINBIRD</b>			
12" - 24" radar domes	ADA-R1	N/A	LTB-R

	M1	M2	Light Bar
<b>INTELLIAN</b>			
i1, i2 (11" - 13")	ADA-S1	ADA-S3	LTB-S
i3 (14.5")	ADA-S1	ADA-S1	LTB-S
i4, i4P, k4, d4 (18")	ADA-S2	ADA-S2	LTB-S
i6, i6P, k6, d6, S60, FB500 (24")	ADA-S2	ADA-S2	LTB-S24
FB150/ FB250 (10" - 14")	ADA-S4	ADA-S4	LTB-S

	M1	M2	Light Bar
<b>JRC</b>			
15" radar domes	ADA-R1	N/A	LTB-R
24" radar domes	ADA-R2	N/A	LTB-R

	M1	M2	Light Bar
<b>KODEN</b>			
18"-24" radar domes	ADA-R1	N/A	LTB-R
4' - 6' Open array radar	ADA-R1	N/A	LTB-OA or LTB-OA-6

	M1	M2	Light Bar
<b>KVH</b>			
M1DX, M1 (12.5")	ADA-S1	ADA-S3	LTB-S
M2, M3, M3DX, M3ST, V3 (14.5" - 15.5")	ADA-S1	ADA-S1	LTB-S
M5 (18")	ADA-S2	ADA-S2	LTB-S
M7, M7SK, Trac 50, HD7, V7, F55 (24")	ADA-S2	ADA-S2	LTB-S24
FB150/ FB250/ Fleet 33 (13" - 19")	ADA-S4	ADA-S4	LTB-S

	M1	M2	Light Bar
<b>LOWRANCE</b>			
18"-24" radar domes, BR24, 3G, 4G	ADA-R1	N/A	LTB-R
LRA 2400HD 24" radar dome	ADA-R2	N/A	LTB-R
4' - 6' Open array radar	ADA-R1	N/A	LTB-OA or LTB-OA-6

	M1	M2	Light Bar
<b>LORENZ</b>			
12" - 24" radar domes	ADA-R1	N/A	LTB-R
4' - 6' Open array radar	ADA-R1	N/A	LTB-OA or LTB-OA-6

	M1	M2	Light Bar
<b>NOBELTEC</b>			
17" - 25" radar domes	ADA-R1	N/A	LTB-R
3.5' - 6' Open array radar	ADA-R1	N/A	LTB-OA or LTB-OA-6

	M1	M2	Light Bar
<b>NORTHSTAR</b>			
18"-24" radar domes, BR24, 3G, 4G	ADA-R1	N/A	LTB-R
24" HD radar dome	ADA-R2	N/A	LTB-R
4' - 6' Open array radar	ADA-R1	N/A	LTB-OA or LTB-OA-6

	M1	M2	Light Bar
<b>OYSTER</b>			
50MGS, 75MGS, 77MGS, TRX-7MGS	ADA-S2	ADA-S2	LTB-S

	M1	M2	Light Bar
<b>THRANE &amp; THRANE</b>			
FB150/ FB250/ Fleet 33, 33+ (10"-14")	ADA-S4	ADA-S4	LTB-S
Sailor FB500/ Fleet 55+ (24")	ADA-S1	ADA-S3	LTB-S24

	M1	M2	Light Bar
<b>RAYMARINE</b>			
18" - 24" radar domes	ADA-R1	N/A	LTB-R
4'-6' Open array radar	ADA-R1	N/A	LTB-OA or LTB-OA-6
335TV (13")	ADA-S1	ADA-S3	LTB-S
375TV (14.6")	ADA-S1	ADA-S1	LTB-S
455TV (18")	ADA-S2	ADA-S2	LTB-S
605TV (24")	ADA-S2	ADA-S2	LTB-S24
T200, T-Series	ADA-F1	ADA-F1	LTB-S

	M1	M2	Light Bar
<b>SEA-KING</b>			
1500HD (16")	ADA-S1	ADA-S1	LTB-S
1800HD (20")	ADA-S2	ADA-S2	LTB-S

	M1	M2	Light Bar
<b>SEA-TEL (COBHAM)</b>			
ST14, FX150 (16.5")	ADA-S1	ADA-S1	LTB-S
C18, FX250 (24")	ADA-S2	ADA-S2	LTB-S24
USAT24 (27" - 29")	ADA-S2	ADA-S2	LTB-S24
ST24, FX500 (29")	ADA-S2	ADA-S2	LTB-S24

	M1	M2	Light Bar
<b>SIMRAD</b>			
18"-24" radar domes, BR24, 3G, 4G	ADA-R1	N/A	LTB-R
24" HD radar dome	ADA-R2	N/A	LTB-R
4' - 6' Open array radar	ADA-R1	N/A	LTB-OA or LTB-OA-6

	M1	M2	Light Bar
<b>SITEX</b>			
12" - 24" radar domes	ADA-R1	N/A	LTB-R
4'-6' Open array radar	ADA-R1	N/A	LTB-OA or LTB-OA-6

	M1	M2	Light Bar
<b>SEIWA / TECHMARINE</b>			
12" - 24" radar domes	ADA-R1	N/A	LTB-R
4'-6' Open array radar	ADA-R1	N/A	LTB-OA or LTB-OA-6

	M1	M2	Light Bar
<b>VDO</b>			
Ocean Line 132 (13")	ADA-S1	ADA-S3	LTB-S
Ocean Line 337 (15")	ADA-S1	ADA-S1	LTB-S
Ocean Line 345 (18")	ADA-S2	ADA-S2	LTB-S
Ocean Line 360/ 445 / 460 (24")	ADA-S2	ADA-S2	LTB-S24



# STEP 3: CHOOSE LIGHT BAR, LIGHT BAR TOP & ACCESSORIES FOR MODULAR MOUNTS

## LIGHT BARS



**LTB-R** for closed dome radars. This light bar can fold over 90°.



**LTB-S** for 20" or smaller satdomes. This light bar can fold over 90°.

Please note that light bars do not come with a light. Select a light bar top for your light bar on page 9.



**LTB-S24** for 26" satdomes. This light bar can fold over 90°.



**LTB-OA** for open array radars up to 4 1/2'.



**LTB-OA-6** for 6' open array radars.



**LTB-SF** to be used with FLIR MD-Series, M-Series or Raymarine T200, T-Series thermal cameras or search lights. For modular mounts using 20" diameter domes or smaller.

LIGHT BARS

# STEP 3: CHOOSE LIGHT BAR, ACCESSORIES FOR MODULAR

## LIGHT BAR TOPS



**LTBP-1197** Perko 1197 Anchor light & 7' of wire (12v or 24v).



**LTBA-7800** Attwood LED light & 7' of wire (12v).



**LTB-BOX** (4" x 4 1/2") Box Top to fit 3 Aqua Sig 40/41 lights or similar. Please note that this does not come with lights.



**LTB-U1A** (2 1/2" x 7") Allows you to mount a single light or a GPS and a light. Lights and GPS not included.



**PM-U2A** Allows you to mount a single light and two GPS units. Light and GPS not included.



**PM-114LT-DLX** Halogen Floodlight kit (12v). For Seaview 1 1/4" diameter light bars. Includes 1 1/4" stainless steel clamp, mounting hardware & Optronics DL-55CB.



**PM-114LT-LED** LED Floodlight kit (9-33v). For Seaview 1 1/4" diameter light bars. Includes 1 1/4" stainless steel clamp, mounting hardware & Hella 0670 Sea Hawk LED Floodlight.



**LTB-U** Adapter to mount a GPS or wind transducer. The threads are 1-14.

# LIGHT BAR TOP & MOUNTS

## SPREADER KITS



**SP1-MOD** Fits all Seaview mounts that end in "M1". For example PMA-57-M1.

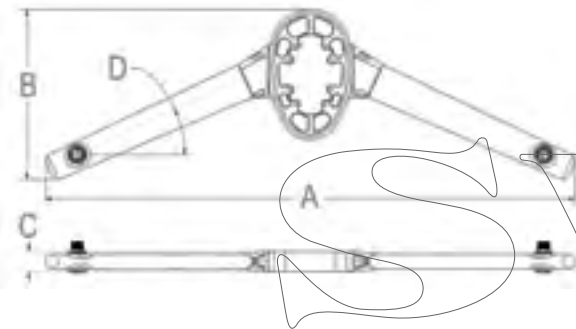


**SP2-MOD** Fits all Seaview mounts that end in "M2". For example PMA-DM2-M2.

## Spreader Kit Accessories

### SP-LT-LED

Enhance your visibility with a Seaview spreader LED floodlight kit. This kit includes stainless steel bracket, mounting hardware & Hella 0670 Sea Hawk LED Floodlight. (9-33v)

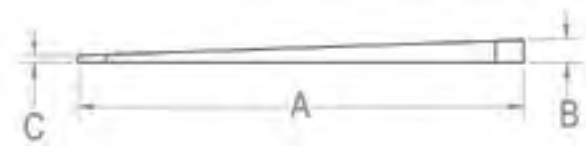


	A inch / mm	B inch / mm	C inch / mm	D
<b>SP1-MOD</b>	42.4 / 1077	12.625 / 320.67	1.75 / 44.45	25°
<b>SP2-MOD</b>	44.5 / 1130.3	14.282 / 362.76	1.75 / 44.45	25°

## BASE WEDGES



Most common planing attitude requires 3-4° of adjustment. If you are unsure which to choose then we recommend the 4° wedge. We do however offer 2° & 6° wedges if you feel a little more or a little less is better for your application.



	Angle of Wedge	A inch / mm	B inch / mm	C inch / mm
<b>PM-W2-7</b>	2°	7 / 177.80	.369 / 9.372	.125 / 3.175
<b>PM-W4-7</b>	4°	7 / 177.80	.614 / 15.596	.125 / 3.175
<b>PM-W6-7</b>	6°	7 / 177.80	.861 / 21.869	.125 / 3.175
<b>PM-W4-8</b>	4°	8 / 203.20	.684 / 17.374	.191 / 4.841
<b>PM-W4-10</b>	4°	10 / 254	.95 / 24.130	.25 / 6.350

## HINGE ADAPTERS



Captive knobs means these will stay with the hinge when it's open or closed.

<b>PM-H7</b>	For 7"x7" base plate. Fits 5" - 24" tall radar mounts.
<b>PM-H8</b>	For 8"x8" base plate. Fits 36" tall radar mounts.
<b>PM-H10</b>	For 10"x10" base plate. Not to be used for PMA-DM2-M2 or PMA-200 series mounts.

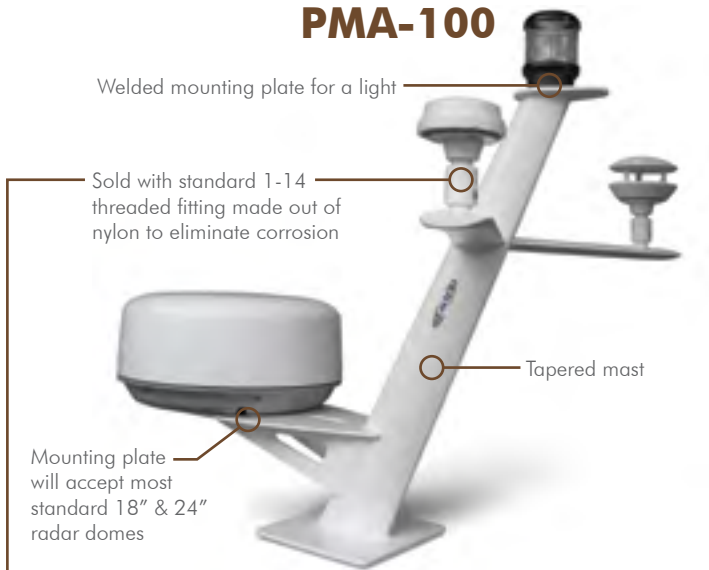
The Seaview hinge adapter can hinge back 180°. Allowing you to have the most clearance possible



# TAPERED MASTS

For Most Closed Dome & Open Array Radars

## PMA-100



## PMA-BC-37

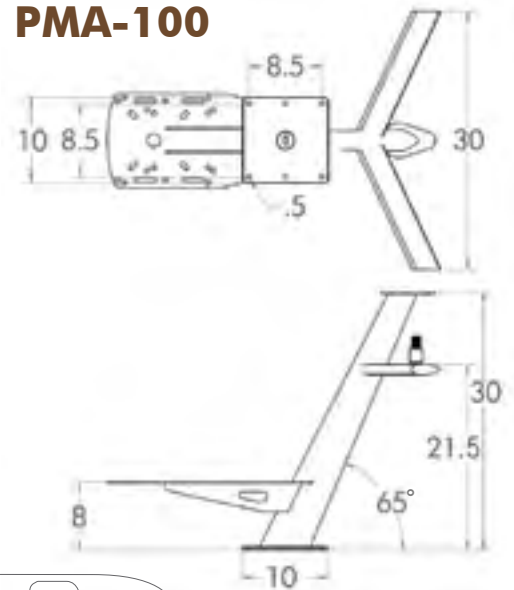


## PMA-200

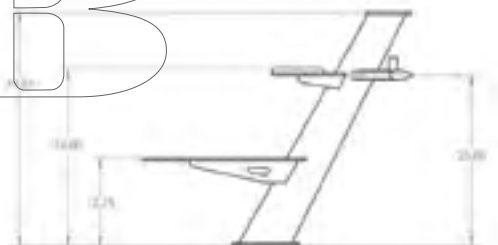


## DIMENSIONS

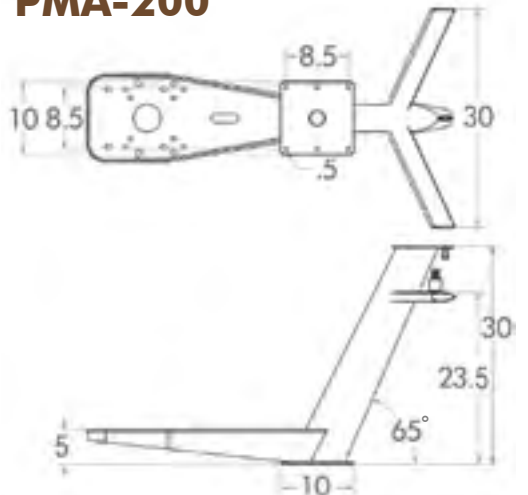
### PMA-100



### PMA-BC-37



### PMA-200



# STAINLESS STEEL MOUNTS

For Most Closed Dome Radars

## STAINLESS STEEL MOUNT PART NUMBER GUIDE

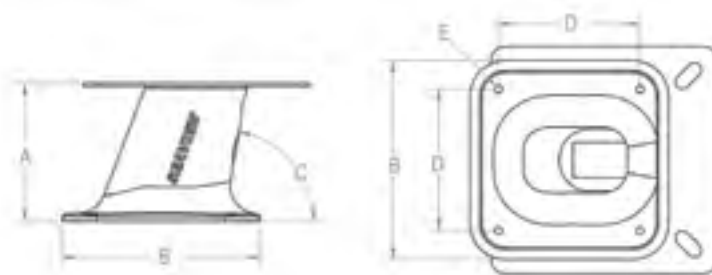
<b>FURUNO</b>	
15" - 19" Radomes, DR54D	PMA-5U-7LSS
24" Radomes	PMA-5FJ-7LSS
<b>GYRO</b>	PMA-5U-7LSS
<b>GEONAV</b>	
24" Radomes	PMA-5U-7LSS
<b>GARMIN</b>	
18" - 24" Radomes	PMA-5RG-7LSS
<b>HUMMINBIRD</b>	
12" - 24" Radomes	PMA-5RG-7LSS
<b>JRC</b>	
24" Radomes	PMA-5FJ-7LSS
<b>LOWRANCE</b>	
18" Radomes, LRA 2000	PMA-5U-7LSS
20" Radomes, BR24, 3G, 4G	PMA-5RG-7LSS
24" Radomes	PMA-5FJ-7LSS
<b>LORENZ</b>	
12" - 20" Radomes	PMA-5U-7LSS
<b>NORTHSTAR</b>	
18" Radomes	PMA-5U-7LSS
20" Radomes, BR24, 3G, 4G	PMA-5RG-7LSS
24" Radomes	PMA-5FJ-7LSS
<b>KODEN</b>	
18" Radomes	PMA-5U-7LSS
<b>RAYMARINE</b>	
18" - 24" Radomes	PMA-5RG-7LSS
<b>SIMRAD</b>	
18" Radomes	PMA-5U-7LSS
20" Radomes, BR24, 3G, 4G	PMA-5RG-7LSS
24" Radomes	PMA-5FJ-7LSS
<b>SITEX</b>	
12" - 24" Radomes	PMA-5U-7LSS
<b>SEIWA</b>	
12" - 23.5" Radomes	PMA-5U-7LSS
<b>TECH MARINE</b>	
12" - 20" Radomes	PMA-5U-7LSS



STAINLESS STEEL MOUNTS

## DIMENSIONS

	A	B	C	D	E
	inch/mm	inch/mm	Degrees	inch/mm	inch/mm
<b>PMA-5U-7LSS</b>	5 / 127	7 / 177.8	80°	5 / 127	.25 / 6.35
<b>PMA-5RG-7LSS</b>	5 / 127	7 / 177.8	80°	5 / 127	.25 / 6.35
<b>PMA-FJ-7LSS</b>	5 / 127	7 / 177.8	80°	5 / 127	.25 / 6.35



# LOW PROFILE ADAPTERS

Optimize Satdome Installation

LOW PROFILE ADAPTERS



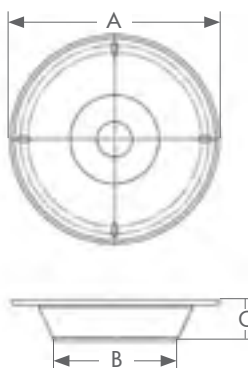
- » 3" models made with UV stable white ABS plastic
- » 5" models made of marine grade aluminum
- » Small mounting base for space limited installations
- » Hides cables



The AMA-W offers 0° - 12° adjustment. Optional wedge sold separately.

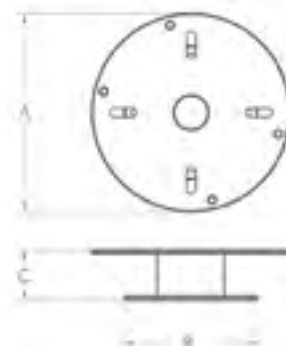
## DIMENSIONS

	A inch/mm	B inch/mm	C inch/mm
<b>AMA-14</b>	8 / 203.2	4.75 / 120.6	2.75 / 69.85
<b>AMA-16</b>	12 / 304.8	8 / 203.2	2.75 / 69.85
<b>AMA-18</b>	14.25 / 362	8 / 203.2	2.75 / 69.85
<b>AMA-24</b>	19 / 482.6	8 / 203.2	2.75 / 69.85



### AMA-GXF inch/mm

A	12 / 304.8
B	8 / 203.2
C	3 / 76.2



### AMA-32 inch/mm

A	17 / 431.8
B	8½ / 215.9
C	4 / 101.6



- » Small footprint
- » Cable gland system for up to 7 cables if necessary
- » Heavy duty primed and powder coated aluminum

Find your Satdome below to find the correct Low Profile mount part number. Please note that some mounts require an adapter to fit properly. If you do not see your Satdome below please give us a call.

<b>FURUNO</b>	
<b>FLEET 33, FELCOM 30</b>	AMA-14
<b>FLEET 55, FELCOM 50</b>	AMA-GXF

<b>GEONAV &amp; EPAK</b>	
<b>TV44, TV46, TV59, SC60, TV61</b>	AMA-18 (Requires ADA-M51 adapter)
<b>SC90, TV90</b>	AMA-32 (Requires ADA-M51 adapter)

<b>GLOMEX</b>	
<b>V9100, V9160, V9600, V9630, V9800 (20" - 27")</b>	AMA-GXF

<b>INTELLIAN</b>	
<b>i1, i2 (11" - 13")</b>	AMA-GXF
<b>i3 (14.5")</b>	AMA-16
<b>FB150, FB250 (10" - 14")</b>	AMA-14
<b>i4, i4P, k4, d4 (18")</b>	AMA-18
<b>i6, i6P, k6, d6, s60, FB500 (24")</b>	AMA-24
<b>i9, k9, s85 (32")</b>	AMA-32

<b>JRC</b>	
<b>JUE 250, JUE 33</b>	AMA-14
<b>JUE 500</b>	AMA-GXF

<b>KVH</b>	
<b>Tracphone 252, Tracnet</b>	AMA-14
<b>FLEET 33, FB150, FB250 (13" - 19")</b>	AMA-14
<b>M1, M1DX (12.5")</b>	AMA-GXF
<b>M2, M3, M3ST, M3DX, V3 (14.5" - 15.5")</b>	AMA-16
<b>M5, G4, FB250, TRAC 50 (18")</b>	AMA-18
<b>M7, M7SK, G6, F55, FB500, V7, HD7 (24")</b>	AMA-24
<b>M9, F77, FB500, V7 (32")</b>	AMA-32

<b>RAYMARINE</b>	
<b>33STV (13")</b>	AMA-GXF
<b>37STV (14.6")</b>	AMA-16
<b>45STV (18")</b>	AMA-18
<b>60STV (24")</b>	AMA-24

<b>SEA KING</b>	
<b>1500HD (16")</b>	AMA-16
<b>1800HD (20")</b>	AMA-18

<b>OYSTER</b>	
<b>50MGS, 75MGS, 77MGS, TRX-7MGS</b>	AMA-24

<b>SEA TEL / COBHAM</b>	
<b>ST14 (16.5")</b>	AMA-16
<b>C18 (24")</b>	AMA-18
<b>C24, USAT24 (27" - 29")</b>	AMA-18
<b>C30, 3004, USAT30 (32")</b>	AMA-32
<b>DTV04 (32")</b>	AMA-32

<b>THRANE &amp; THRANE</b>	
<b>FB150, FB250, Fleet 33, Fleet 33+ (10" - 14")</b>	AMA-14
<b>SAILOR FB500, Fleet 55+ (24")</b>	AMA-GXF

<b>VDO</b>	
<b>OCEAN LINE 132 (13")</b>	AMA-GXF
<b>OCEAN LINE 337 (15")</b>	AMA-VD1
<b>OCEAN LINE 345, 445</b>	AMA-VD2
<b>OCEAN LINE 360, 460</b>	AMA-VD2



An AMA-16 on AMA-W optional wedges.



AMA-GXF shown above.

# CAMERA AND SEARCH LIGHT

For Most Cameras & Search Lights

CAMERA & SEARCH LIGHT MOUNTS



No visible bolts for extra security and improved aesthetics!



- » Top down riser available
- » Available in vertical or aft leaning designs
- » Space saving designs



The Top Down Riser mounts allow you to mount FLIR or Raymarine thermal cameras upside down or vertically.



A **RM-GOL-1** rail mount for search lights.



A **SM-14-F** mast mount for thermal cameras.

## CAMERA & SEARCHLIGHT MOUNT PART NUMBER GUIDE:

	CAMERA								SEARCH LIGHT				
	RAYMARINE		FLIR		IRIS	NVTI	COMNAV	VEI	ACR			GOLIGHT	JABSCO
	T200	T300 / 400 Series	MD SERIES	M-SERIES	IRIS2 / IRIS3 / IRIS 116	NV2020 / NV1018 / NV1020	EXPLORER V2 / V3	APOLLO II / II HD	RCL50 / RCL100	RCL75	RCL300	ALL MODELS	ALL MODELS
<b>FTDR1</b>					*								
<b>FTDR2</b>		*		*									
<b>FTDR3</b>	*		*										
<b>PM5-FMT-8</b>		*		*			*						
<b>PM5-FMD-8</b>	*		*										
<b>PM5-SL-8</b>						*		*	*	*	*	*	*
<b>PMA-5FMT-7</b>	*	*	*	*			*						
<b>PMA-12FMT-7</b>	*	*	*	*			*						
<b>PMA-5FSL-7</b>						*		*	*	*	*	*	*
<b>PMA-12FSL-7</b>						*		*	*	*	*	*	*
<b>RM-GOL-1</b>												*	
<b>PMA-DM1-M2*</b>	*	*	*	*	*		*						
<b>SM-14-F</b>	*	*	*	*	*								

\* Requires ADA-F1 modular top plate.

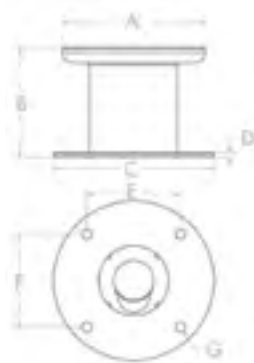


# MOUNTS

**PM5-FMT-8**  
inch/mm

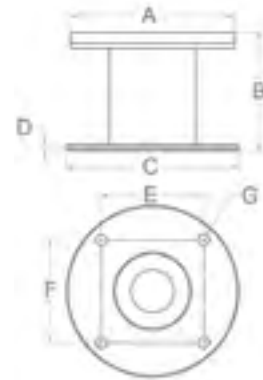
A	7.12 / 182.56	6 / 152.4
B	5.5 / 140	5.5 / 140
C	8 / 203	8 / 203
D	.25 / 6.35	.25 / 6.35
E	4.77 / 121.15	4.77 / 121.15
F	4.77 / 121.15	4.77 / 121.15
G	0.5 / 12.7	0.5 / 12.7

**PM5-FMD-8**  
inch/mm



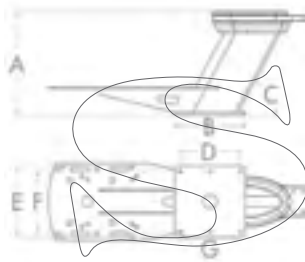
**PM5-SL-8**  
inch/mm

A	7.6 / 193.04
B	5.5 / 139.7
C	8 / 203.2
D	.25 / 6.35
E	4.77 / 121.15
F	4.77 / 121.15
G	0.5 / 12.7



**PMA-DM1-M2**  
inch/mm

A	14.5 / 368.3
B	10 / 254
C	62°
D	8.5 / 216
E	10 / 254
F	8.5 / 216
G	0.5 / 12.7

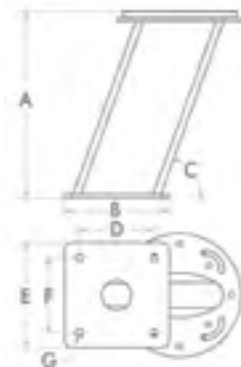


PMA-DM1-M2 with a ADA-F1 top plate.

**PMA-5FMT-7**  
**PMA-5FSL-7**  
inch/mm

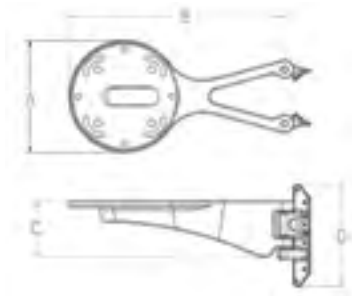
A	5.25 / 140	12.5 / 318
B	7 / 178	7 / 178
C	70°	70°
D	5 / 127	5 / 127
E	7 / 178	7 / 178
F	5 / 127	5 / 127
G	0.5 / 12.7	0.5 / 12.7

**PMA-12FMT-7**  
**PMA-12FSL-7**  
inch/mm



**SM-14-F**  
inch/mm

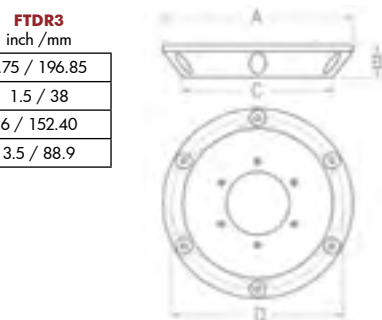
A	8.25 / 210
B	16.5 / 419
C	4.25 / 108
D	7.5 / 190.5



**FTDR1**  
inch/mm

A	6.75 / 171.45	8.86 / 225	7.75 / 196.85
B	1 / 25.4	1.5 / 38	1.5 / 38
C	5.125 / 130.17	7 / 178	6 / 152.40
D	3 / 76.2	8 / 203	3.5 / 88.9

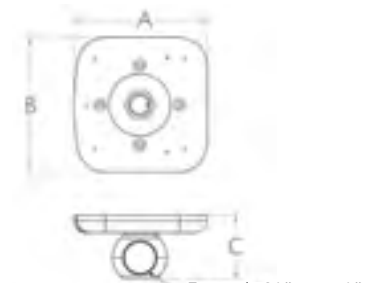
**FTDR2**  
inch/mm



**FTDR3**  
inch/mm

**RM-GOL-1**  
inch/mm

A	6 / 152
B	6 / 152
C	2.75 / 70



Fits rails 3/4" to 1 1/4" in diameter

# DIRECT MOUNT WEDGES

Optimizes Radar Beam



3-4° is most commonly need to compensate for planing attitude. This is why Seaview only offers the 4° direct mount wedge.



	A inch / mm	B inch / mm
<b>RW4-1</b>	.31 / 7.874	.95 / 24.130
<b>RW4-2</b>	.53 / 13.462	1.40 / 35.560
<b>RW4-3</b>	.25 / 6.350	.95 / 24.130
<b>RW4-4</b>	.15 / 3.810	.95 / 24.130
<b>RW4-5</b>	.25 / 6.350	.77 / 19.558
<b>RW4-6</b>	.67 / 17.018	1.50 / 38.10

## DIRECT MOUNT ANGLED WEDGES PART NUMBER GUIDE

<b>FURUNO</b>	
15" - 19" Radomes, DR54D	RW4-1
24" Radomes	RW4-6
2' - 6' Open Array Radars	RW4-3
GYRO	RW4-1
<b>GEONAV</b>	
24" Radomes	RW4-6
3.5' - 4.5' Open Array Radars	RW4-5
<b>GARMIN</b>	
18" - 24" Radomes	RW4-2
4' - 6' Open Array Radars	RW4-3
<b>HUMMINBIRD</b>	
12" - 24" Radomes	RW4-2
<b>JRC</b>	
24" Radomes	RW4-6
4' - 6' Open Array Radars	RW4-5
<b>LOWRANCE</b>	
18" Radomes, LRA 2000	RW4-1
20" Radomes, BR24, 3G, 4G	RW4-2
24" Radomes	RW4-6
4' - 6' Open Array Radars	RW4-5

<b>LORENZ</b>	
18" - 20" Radomes	RW4-1
4' Open Array	RW4-5
<b>NORTHSTAR</b>	
18" Radomes	RW4-1
20" Radomes, BR24, 3G, 4G	RW4-2
24" Radomes	RW4-6
4' Open Array Radar (6kW 2007+)	RW4-5
4' Open Array Radar (6kW)	RW4-3
<b>KODEN</b>	
18" Radomes	RW4-1
25.5" Radomes	RW4-2
4' - 6' Open Array Radars	RW4-3
<b>RAYMARINE</b>	
18" - 24" Radomes	RW4-2
4' - 6' Open Array Radars	RW4-4
<b>SIMRAD</b>	
20" Radomes, BR24, 3G, 4G	RW4-2
18" Radomes	RW4-1
24" Radomes	RW4-6
4' Open Array Radars	RW4-3

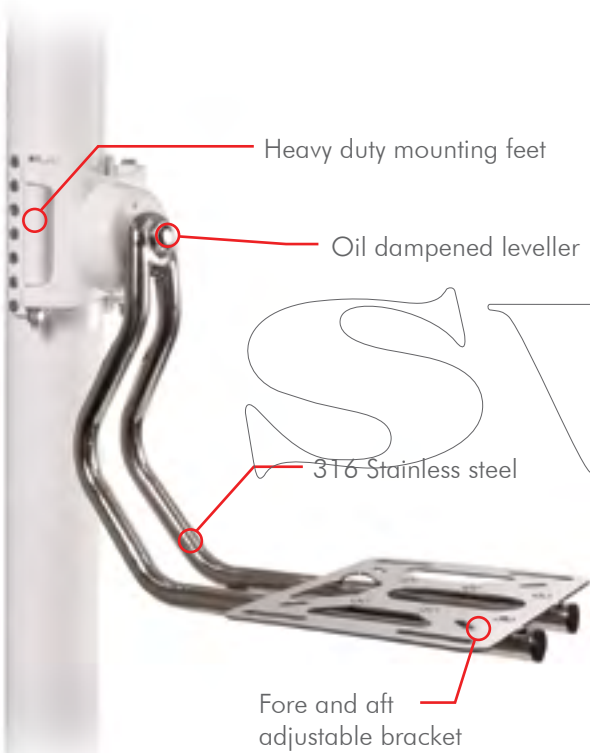
<b>SITEX</b>	
12" - 24" Radomes	RW4-1
<b>SEIWA</b>	
12" - 23.5" Radomes	RW4-1
3' - 6' Open Array Radars	RW4-3
<b>TECH MARINE</b>	
12" - 20" Radars	RW4-1



# SELF LEVELING MAST MOUNT

For Most Closed Dome Radars

Maintain a level view of the horizon through heels & rolls.

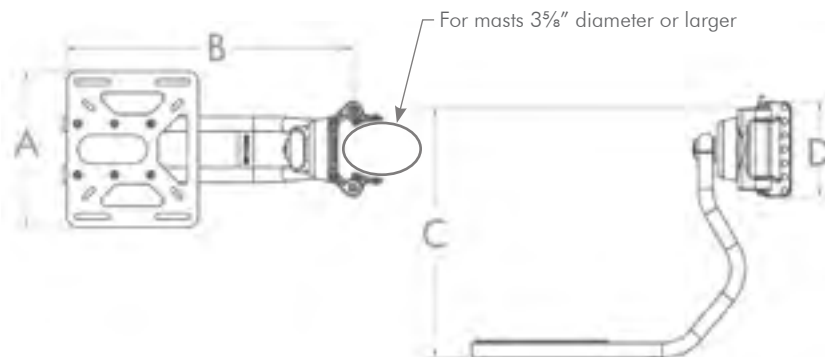


## SELF LEVELING RADAR MAST MOUNT PART NUMBER GUIDE

<b>FURUNO</b>	
15" - 24" Radomes	SLM-1S
<b>GEONAV</b>	
24" Radomes	SLM-1S
<b>GARMIN</b>	
18" - 24" Radomes	SLM-1S
<b>HUMMINBIRD</b>	
12" - 24" Radomes	SLM-1S
<b>KODEN</b>	
18" - 25.5" Radomes	SLM-1S
<b>LORENZ</b>	
12" - 20" Radomes	SLM-1S
<b>LOWRANCE</b>	
18" - 24" Radomes (Not LRA 2400HD)	SLM-1S
<b>NORTHSTAR</b>	
18" - 20" Radomes	SLM-1S
<b>RAYMARINE</b>	
18" - 24" Radomes	SLM-1S
<b>SEIWA</b>	
12" - 23.5" Radomes	SLM-1S
<b>SIMRAD</b>	
18" - 20" Radomes	SLM-1S
<b>SITEX</b>	
12" - 24" Radomes	SLM-1S
<b>TECHMARINE</b>	
12" - 20" Radomes	SLM-1S

## DIMENSIONS

SLM-1S	
inch / mm	
A	10.75 / 273
B	19.5 / 495
C	17 / 432
D	6.5 / 165



# MAST PLATFORMS

For Most Radars and Satdomes

## MAST PLATFORM ACCESSORIES



Solid underbody construction not only greatly improves strength but also hides radar cables.

Pre-drilled to receive accessories such as a flood light or horn.



**SMG-18-U** A universal stainless steel guard for all 2kW radomes.

**SMG-24-U** A universal stainless steel guard for all 4kW radomes.

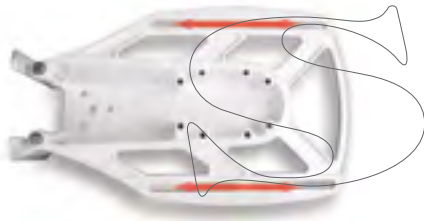


**SM-AD-ISO** Isomat adapter for boats with Isomat masts (Integral Track at the Front).



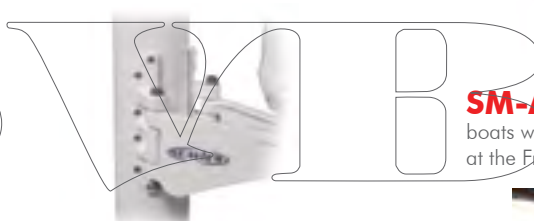
**SM-AD-FB** Flybridge adapter kit for smaller mast mounts. Fits the following Seaview mast mounts: SM-18-R, SM-18-U, SM-14-F. Will allow for 35° of adjustment.

## ADJUSTABILITY



The **SM-18-R** is designed with fore and aft adjustable rails so that you can have the radar as close as possible to the mast.

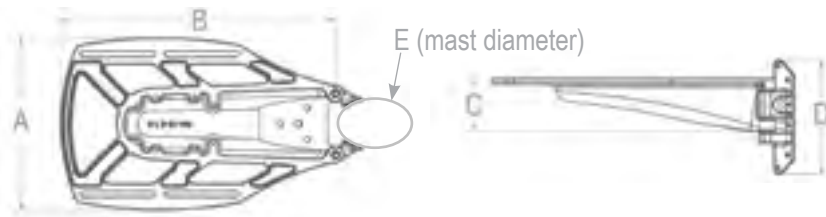
## STRENGTH



Six rivets per foot are used to hold the heavy duty mounting feet to the mast.

MAST PLATFORMS

## DIMENSIONS



	<b>SM-14-A</b> inch / mm	<b>SM-15-A</b> inch / mm	<b>SM-18-A</b> inch / mm	<b>SM-18-U</b> inch / mm	<b>SM-18-R</b> inch / mm	<b>SM-24-A</b> inch / mm	<b>SM-24-U</b> inch / mm	<b>SM-24-R</b> inch / mm
A	8.23 / 209	12 / 304.8	18.5 / 469.9	12 / 304.80	11.28 / 286.5	18.50 / 470	11.75 / 298.45	11.75 / 298.45
B	15.9 / 403.1	16.25 / 412.75	22.75 / 577.85	15.65 / 397.51	18.01 / 457.5	25 / 635	20 / 508	20 / 508
C	4.11 / 104.4	6 / 152.4	6 / 152.4	3.44 / 87.4	3.44 / 87.4	6 / 152.4	6 / 152.4	6 / 152.4
D	7.44 / 189	6.50 / 165.1	6.50 / 165.1	7.44 / 189	7.44 / 189	6.50 / 165.1	6.50 / 165.1	6.50 / 165.1
E	2.625 / 66.675	2.625 / 66.675	2.625 / 66.675	2.625 / 66.675	2.625 / 66.675	3.625 / 92.075	3.625 / 92.075	3.625 / 92.075

Find your Radar, Satdome, Camera or Search Light below to find the correct mast mount part number. If you do not see your electronics below please give us a call.

<b>FLIR</b>	
MD-Series, M-Series Camera	SM-14-F

<b>FURUNO</b>	
18" Radomes	SM-18-U
24" Radomes	SM-24-U
FLEET 33, FELCOM 30	SM-14-A
SC30, SC60, SC120	SM-24-U

<b>GARMIN</b>	
18" Radomes	SM-18-R
24" Radomes	SM-24-R

<b>GEONAV &amp; EPAK</b>	
TV 44, TV 46 (18")	SM-18-A
TV59 (24")	SM-24-A
GRH-4D (24")	SM-24-U

<b>GLOMEX</b>	
V9100, V9600 (20")	SM-24-A
V9600, V9630, V9800 (27")	SM-24-A

<b>HUMMINBIRD</b>	
12" - 24" Radomes	SM-24-A

<b>INTELLIAN</b>	
i1, i2, i3 (11" - 14.5")	SM-15-A
FB150, FB250 (10" - 14")	SM-14-A
i4, i4P, k4, d4 (18")	SM-18-A
i6, i6P, k6, d6, s60, FB500 (24")	SM-24-A

<b>JRC</b>	
JUE 250, JUE 33 (14")	SM-14-A
JUE 500 (24")	SM-24-A
JMA-5104, NKE-2042 (24")	SM-24-U

<b>KVH</b>	
Tracphone 252, Tracnet (14")	SM-14-A
FLEET 33, FB150, FB250 (14")	SM-14-A
M1DX, M1, M2, M3, M3ST, M3DX, V3 (12.5" - 15.5")	SM-15-A
M5, G4, FB250, TRAC 50 (18")	SM-18-A
M7, M7SK, G6, F55, FB500, V7, HD7 (24")	SM-24-A

<b>KODEN</b>	
2kW - RP714A (18")	SM-18-U
4kW - RB715A (25")	SM-24-R

<b>LORENZ</b>	
2kW (12" - 18")	SM-18-U
4kW (20")	SM-24-U

<b>LOWRANCE</b>	
BROADBAND BR24, 3G, 4G (18")	SM-18-R
LRA 1800HD, 1500 (18")	SM-18-U
LRA 2000, LRA24HD (24")	SM-24-U

<b>NORTHSTAR</b>	
BROADBAND BR24, 3G, 4G	SM-18-R
2kW - RB714A	SM-18-U
4kW - RB714A	SM-24-U

<b>OYSTER</b>	
50MGS, 75MGS, 77MGS, TRX-7MGS	SM-24-A

<b>RAYMARINE</b>	
18" Radomes	SM-18-R
24" Radomes	SM-24-R
33STV, 37STV (13" - 14.6")	SM-15-A
45STV (18")	SM-18-A
60STV (24")	SM-24-A
T-200, T-Series Camera	SM-14-F

<b>SEA KING</b>	
1500HD (16")	SM-18-A
1800HD (20")	SM-18-A

<b>SEA TEL / COBHAM</b>	
ST14, FX150 (16.5")	SM-18-A
C18, FX250 (24")	SM-18-A

<b>SIMRAD</b>	
BROADBAND BR24, 3G, 4G	SM-18-R
RB714A, DX425	SM-18-U
DX64S	SM-24-U

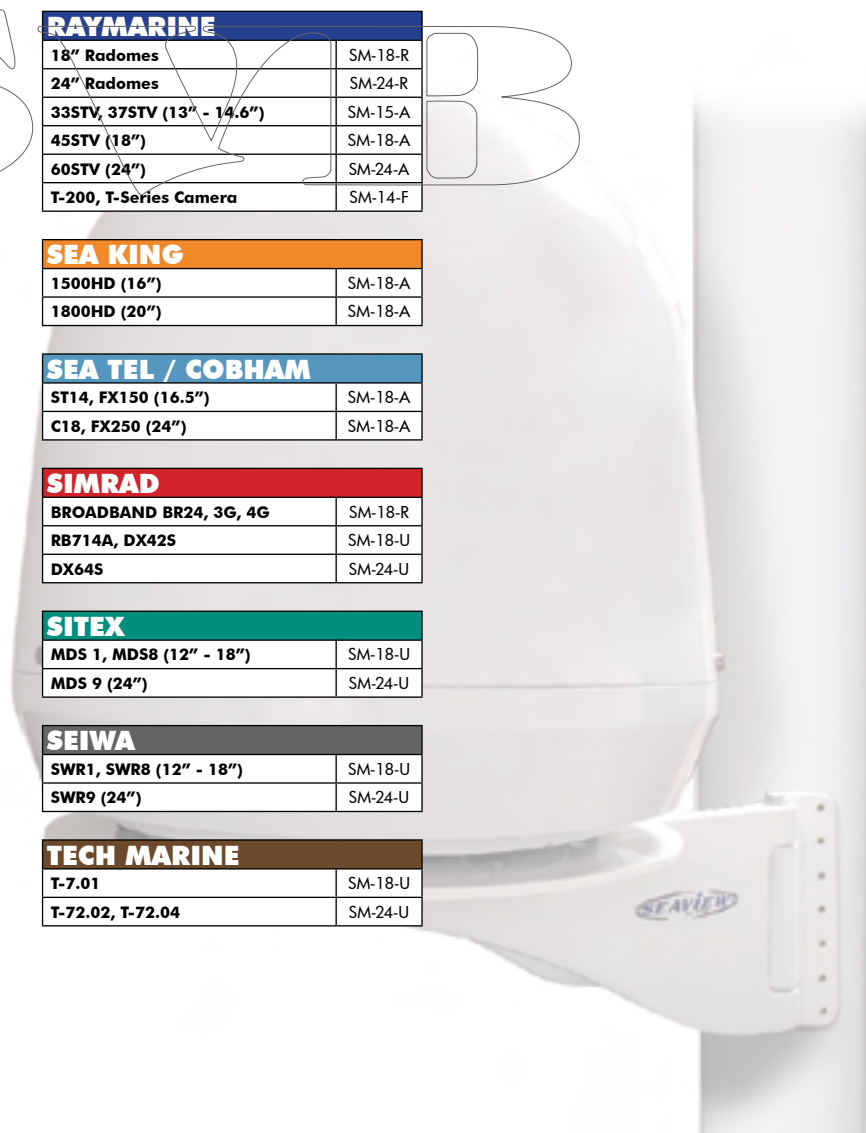
<b>SITEX</b>	
MDS 1, MDS8 (12" - 18")	SM-18-U
MDS 9 (24")	SM-24-U

<b>SEIWA</b>	
SWR1, SWR8 (12" - 18")	SM-18-U
SWR9 (24")	SM-24-U

<b>TECH MARINE</b>	
T-7.01	SM-18-U
T-72.02, T-72.04	SM-24-U

<b>THRANE &amp; THRANE</b>	
FB150, FB250, Fleet 33, Fleet 33+ (10" - 14")	SM-14-A
SAILOR FB500, Fleet 55+ (24")	SM-24-A

<b>VDO</b>	
OCEAN LINE 132 (18")	SM-18-U
OCEAN LINE 337 (15")	SM-18-A
OCEAN LINE 345 (18")	SM-24-A
OCEAN LINE 360, 445, 460 (24")	SM-24-A

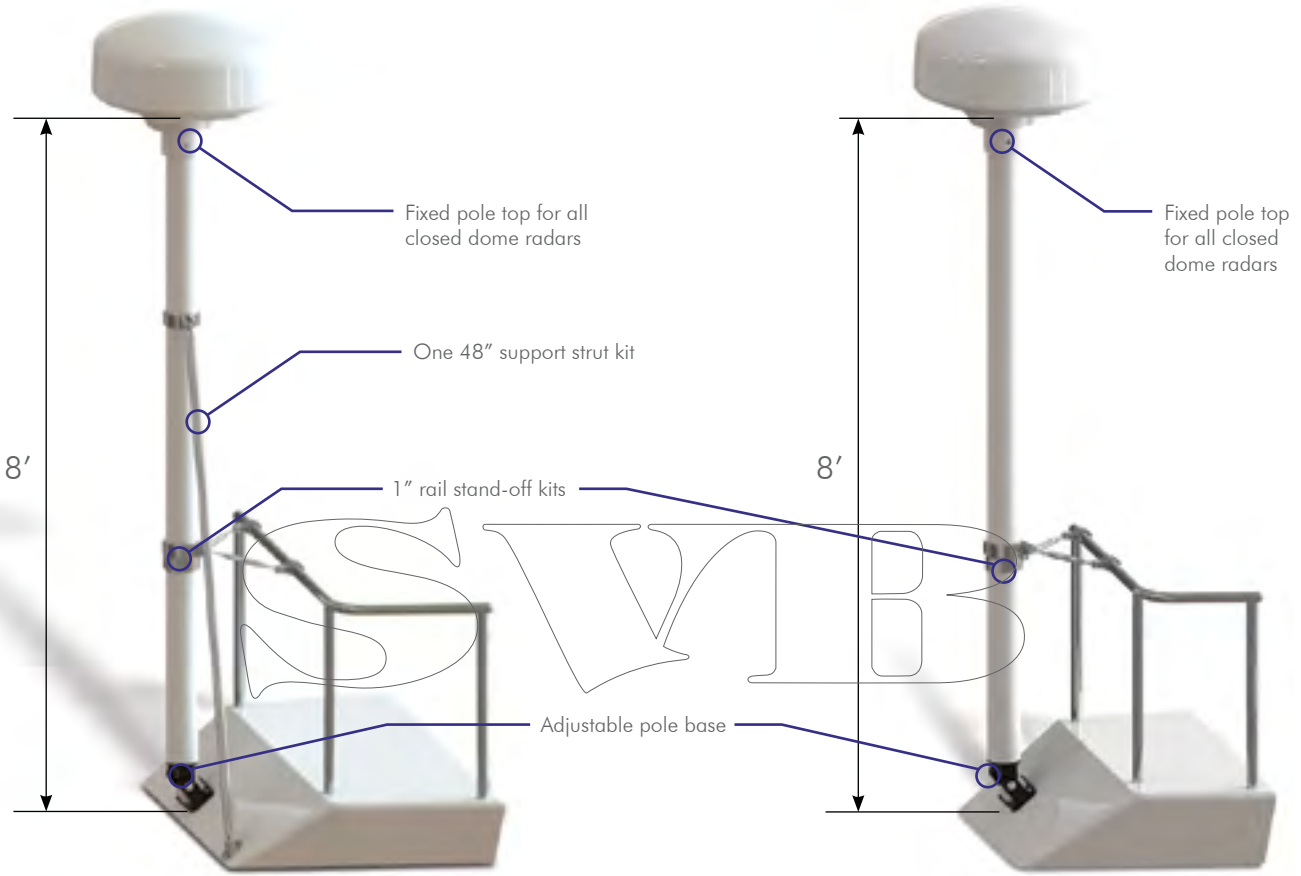


MAST PLATFORMS

# RADAR MAST POLE KIT

## Radar Masts For Sail Boats & Trawlers

Seaview offers a pole mount for just about any application. The two most common pole kits are the 8' or 10' tall pole kits. Additional sizes are available, please call to special order. The adjustable base has a small 5¼" x 3" footprint, and water tight cable gland, which can be easily disassembled for pole removal.



### RM8148 8' Tall Kit

- » Fixed pole top
- » One 48" strut
- » One 1" rail stand off kit
- » Adjustable base

### RM8KT1 8' Tall Kit

- » Fixed pole top
- » One 1" rail stand off kit
- » Adjustable base

### 8' TALL POLE KIT (For 3" Diameter Mast)

*Fixed Top, Adjustable Base, Pole & 48" Strut Kit and One Rail Stand-Off Kit	<b>RM8148</b>
*Fixed Top, Adjustable Base, Pole & One Rail Stand-Off Kit	<b>RM8KT1</b>
*Fixed Top, Adjustable Base, Pole & Two 48" Strut Kits	<b>RM848S</b>

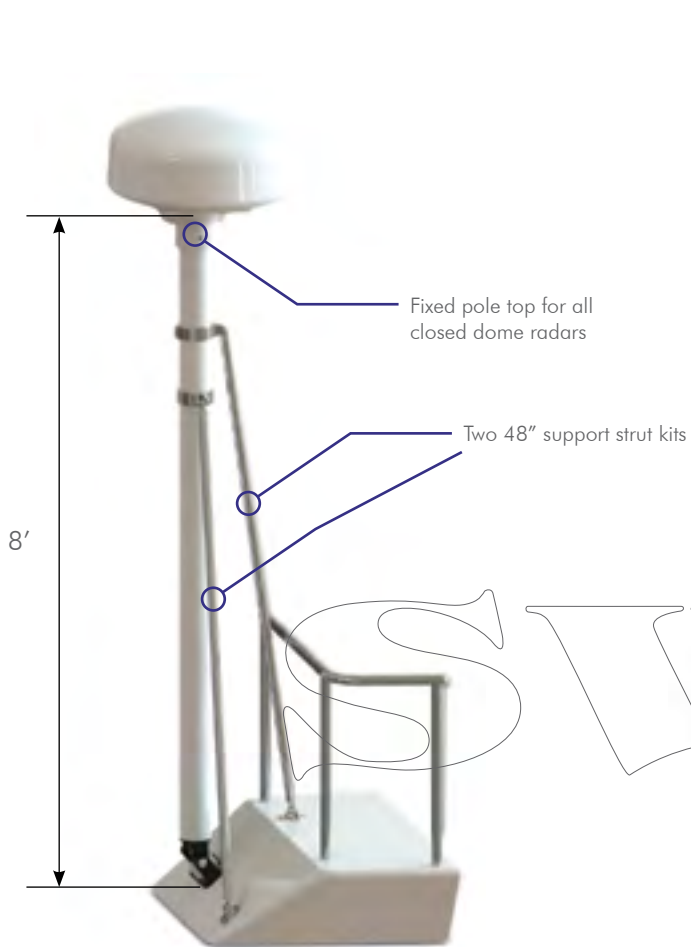
### 10' TALL POLE KIT (For 3" Diameter Mast)

*Self-Leveling Top, Adjustable Base, Pole & 60" Strut Kit & One Rail Stand-Off Kit	<b>SL10160</b>
--	----------------

\*Does not fit 24" JRC, Lowrance 2400 HD & Simrad DX64S

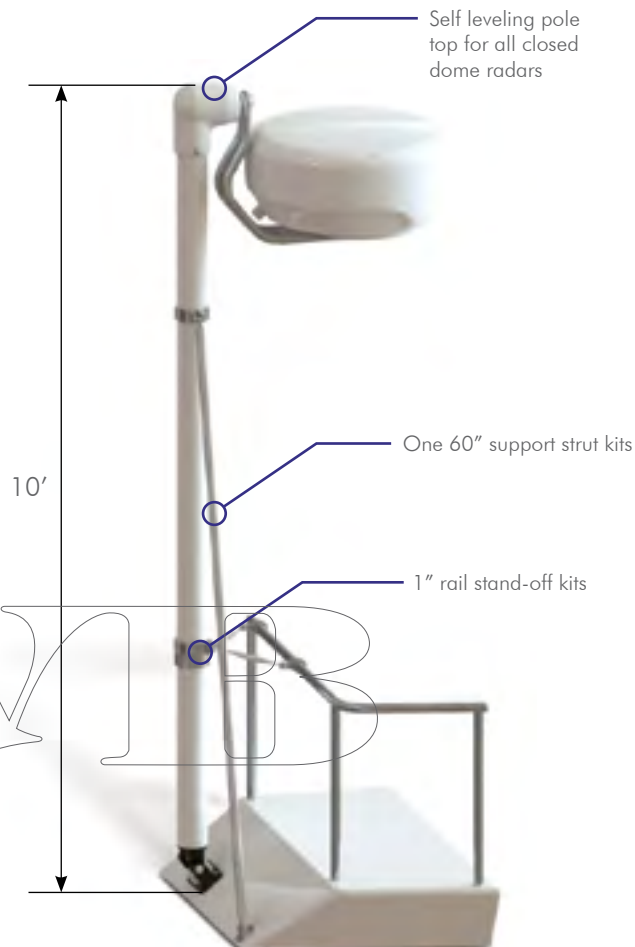


The rail stand-off kit includes two turnbuckle style "arms" that are adjustable from 6" to 12", two stainless steel 3" pole clamps and two stainless steel 1" rail clamps.



**RM848S 8' Tall Kit**

- » Fixed pole top
- » Two 48" strut kits
- » Adjustable base



**SL10160 10' Tall Kit**

- » Self leveling pole top
- » One 60" strut kits
- » One 1" rail stand off kit
- » Adjustable base



High polished stainless steel strut supports.



Self leveling pole top with adjustable stainless steel bracket. This will not fit a 24" JRC, Lowrance 2400HD or Simrad DX64S satdomes.



A hard anodized adjustable base with a water tight cable gland.

# BUILDING YOUR OWN POLE

## 5 Simple Steps to Building Your Own Pole System

### STEP 1 - CHOOSE TUBE

TUBE		
3" TUBE	Powder coated white (Ordered by the foot)	<b>RP3-TUBE</b>
	UV protected clear coat carbon tube (Ordered by the foot)*	<b>RP3-TUBE-CB</b>
4" TUBE	Powder coated white (Ordered by the foot)	<b>RP4-TUBE</b>
	UV protected clear coat carbon tube (Ordered by the foot)*	<b>RP4-TUBE-CB</b>

When ordering the quantity is the length of tubing. Example: A quantity of 8 equals an 8' pole.  
\*Special order



When ordering please specify the length you of tube you want. 3" & 4" diameter tubes are available.

### STEP 2 - CHOOSE YOUR TOP STYLE

POLE TOP		
Modular pole top for 3" or 4" tube (must use ADA top plate)		<b>MOD-TOP-PTM1</b>
Wind Generator pole top for ATMB D-400, for 3" tube only		<b>WG-TDA-003</b>
Wind Generator pole top for Aerogen 12V, for 4" tube only		<b>WG-TDA-004</b>
Wind Generator pole top for Aerogen 24V, for 4" tube only		<b>WG-TDA-005</b>
Self leveling pole top with stainless steel basket**		<b>SLP-1S</b>

\*\* Does not fit 24" JRC, Lowrance 2400 HD & Simrad DX645



From left to right, universal fixed top, self leveling top and wind generator.

### STEP 3 - CHOOSE TOP PLATE

Select the appropriate Seaview Top Plate for your closed dome radar or satdome. Refer to the "M1" column of the Top Plate reference guide on page 7 of this catalog. **Please note that Seaview pole mounts are only for closed dome radars or satdomes.**



**ADA-R1** Top Plate shown, refer to page 7 for your correct Top Plate.

### STEP 4 - CHOOSE BASE & BASE ACCESSORIES

BASE		
3" TUBE	Fixed Pole Base (10 1/2" diameter round base)	<b>RM-FB-300</b>
	Adjustable Pole Base (5 1/4" x 3" base)	<b>RM-3AB</b>
	2' long fiberglass tube for thru-hull pole installation (3" diameter pole)	<b>RP-3FG-TB</b>
4" TUBE	Fixed Pole Base (10 1/2" diameter round base)	<b>RM-FB-400</b>
	Adjustable Pole Base (5 1/4" x 3" base)	<b>RM-4AB</b>
	2' long fiberglass tube for thru-hull pole installation (4" diameter pole)	<b>RP-4FG-TB</b>



The fixed base **RM-FB-300** on the left and the adjustable base **RM-3AB** on the right.

### STEP 5 - CHOOSE YOUR ACCESSORIES

LIGHT BARS / LIGHT BAR TOPS / SPREADER KITS		
ALL POLES	Refer to pages 8 to find the appropriate Light Bar for your application. Please note that lights are sold separately.	<b>LIGHT BARS</b>
	Refer to page 9 for all available Light Bar Tops.	<b>LIGHT BAR TOPS</b>
	Floodlight kit for light bars 1.25" diameter (includes LED floodlight & hardware)	<b>PM-114LT-DLX</b>
	Floodlight kit for light bars 1.25" diameter (includes 4" x 6" 55-watt quartz halogen floodlight & hardware)	<b>PM-114LT-LED</b>
	Complete spreader kit for radar or satdome applications / no additional accessories required*	<b>SP1-MOD</b>



Pole setup with **ADA-R1** top plate, **SP1-MOD** spreader kit, **LTB-R** light bar, **LTBP-1197** light, and **PM-114-LT-LED** floodlight kit.



# SYSTEM

## STEP 5 - CONTINUED...

ACCESSORIES (3" Diameter Masts)		
3" DIAMETER POLES	1" Rail mount kit (2x RM-CL-300, 2x RM-SS-TBL, 2x RM-CL-100)	<b>RM3-KIT-1</b>
	1 1/4" Rail mount kit (2x RM-CL-300, 2x RM-SS-TBL, 2x RM-CL-114)	<b>RM3-KIT-114</b>
	48" Stainless steel strut kit (2x RM-SS-48, 2x RM-CL-300, 2x RM-TPE)	<b>RM3-48-S</b>
	60" Stainless steel strut kit (2x RM-SS-60, 2x RM-CL-300, 2x RM-TPE)	<b>RM3-60-S</b>
	72" Stainless steel strut kit (2x RM-SS-72, 2x RM-CL-300, 2x RM-TPE)	<b>RM3-72-S</b>
	1" Rail mount kit & 48" stainless steel strut kit (1x RM-SS-48, 1x RM-CL-300, 1x RM-TPE, RM3-KIT-1)	<b>RM3-RS-1</b>
	1" Rail mount kit & 60" stainless steel strut kit (1x RM-SS-60, 1x RM-CL-300, 1x RM-TPE, RM3-KIT-1)	<b>RM3-RS-160</b>
	1" Rail mount kit & 72" stainless steel strut kit (1x RM-SS-72, 1x RM-CL-300, 1x RM-TPE, RM3-KIT-1)	<b>RM3-RS-172</b>
	Trim ring for thru-deck installation, machined starboard	<b>RM-3TRIM</b>
	Floodlight kit (includes 4" x 6" 55-watt quartz halogen floodlight & hardware)	<b>RM-3LT-DLX</b>
	Floodlight kit for 3" diameter pole (includes LED floodlight & hardware)	<b>RM-3LT-LED</b>
	Removable outboard lifting davit, includes block & tackle hoist (lifts up to 150lbs)	<b>RM3-LIFT</b>
	3" Stainless steel clamp	<b>RM-CL-300</b>
ACCESSORIES (4" Diameter Masts)		
4" DIAMETER POLES	1" Rail mount kit (2x RM-CL-400, 2x RM-SS-TBL, 2x RM-CL-100)	<b>RM4-KIT-1</b>
	1 1/4" Rail mount kit (2x RM-CL-400, 2x RM-SS-TBL, 2x RM-CL-114)	<b>RM4-KIT-114</b>
	48" Stainless steel strut kit (2x RM-SS-48, 2x RM-CL-400, 2x RM-TPE)	<b>RM4-48-S</b>
	60" Stainless steel strut kit (2x RM-SS-60, 2x RM-CL-400, 2x RM-TPE)	<b>RM4-60-S</b>
	72" Stainless steel strut kit (2x RM-SS-72, 2x RM-CL-400, 2x RM-TPE)	<b>RM4-72-S</b>
	1" Rail mount kit & 48" stainless steel strut kit (1x RM-SS-48, 1x RM-CL-400, 1x RM-TPE, RM3-KIT-1)	<b>RM4-RS-1</b>
	1" Rail mount kit & 60" stainless steel strut kit (1x RM-SS-60, 1x RM-CL-400, 1x RM-TPE, RM3-KIT-1)	<b>RM4-RS-160</b>
	1" Rail mount kit & 72" stainless steel strut kit (1x RM-SS-72, 1x RM-CL-400, 1x RM-TPE, RM3-KIT-1)	<b>RM4-RS-172</b>
	Trim ring for thru-deck installation, machined starboard	<b>RM-4TRIM</b>
	Floodlight kit (includes 4" x 6" 55-watt quartz halogen floodlight & hardware)	<b>RM-4LT-DLX</b>
	Floodlight kit for 4" diameter pole (includes LED floodlight & hardware)	<b>RM-4LT-LED</b>
	Removable outboard lifting davit, includes block & tackle hoist (lifts up to 150lbs)	<b>RM4-LIFT</b>
	4" Stainless steel clamp	<b>RM-CL-400</b>
OTHER ACCESSORY COMPONENT PARTS		
ALL POLES	48" Stainless steel strut 0.875" diameter	<b>RM-SS-48</b>
	60" Stainless steel strut 0.875" diameter	<b>RM-SS-60</b>
	72" Stainless steel strut 0.875" diameter	<b>RM-SS-72</b>
	1" Stainless steel rail clamp	<b>RM-CL-100</b>
	1 1/4" Stainless steel rail clamp	<b>RM-CL-114</b>
	Stainless steel toggle pad eye and base for stainless steel struts	<b>RM-TPE</b>
	Adjustable stainless steel turnbuckle for rail mount kits	<b>RM-SS-TBL</b>



**LIFTING DAVIT** Removable outboard lifting davit, includes block & tackle hoist. Lifts up to 150 lbs. Available for both 3" & 4" poles.



**FLOODLIGHT KIT** Enhance your visibility with a floodlight kit. Available for both 3" & 4" poles. Includes a 4"x6" 55-watt quartz halogen floodlight and hardware.



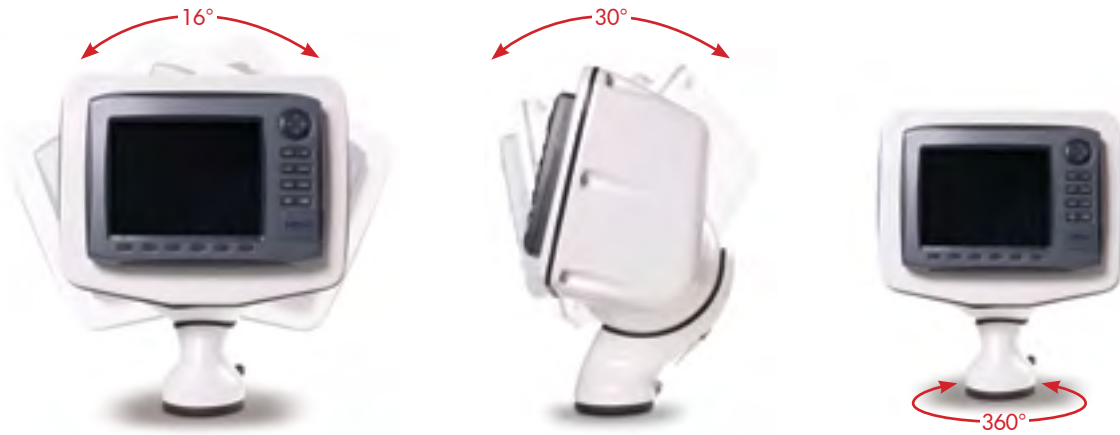
**LED FLOODLIGHT KIT** Enhance your visibility with a LED floodlight kit. Available for both 3" & 4" poles. This kit includes 1 1/4" stainless steel clamp, mounting hardware & Hella 0670 Sea Hawk LED Floodlight.

# POWER PODS

For Most Instruments and Displays



- » **Supplied pre-cut or uncut for your convenience**
- » **GORE™ protective vent relieves pressure buildup**
- » **Can be mounted vertical or upside down. \*Except for PODW-5-UC & POD-5-UC\***
- » **Fully adjustable mounting base for better viewing**



## DIMENSIONS

	A inch /mm	B inch /mm	C inch /mm	D inch /mm	E inch /mm	F <sup>1</sup> inch /mm	F <sup>2</sup> inch /mm	G <sup>1</sup> inch /mm	G <sup>2</sup> inch /mm
<b>PODW-1-UC</b>	10 / 254	14 / 355.6	4 / 101.6	10 / 254	8.2 / 208.3	9.5 / 241.29	9 / 228.6	8.5 / 215.89	8.5 / 215.89
<b>PODW-2-UC</b>	13 / 330	14.5 / 368.3	4 / 101.6	9.5 / 241.3	8.2 / 208.3	12.5 / 317.5	12.125 / 307.97	9.25 / 234.95	9 / 228.6
<b>PODW-3-UC</b>	15 / 381	15 / 381	4 / 101.6	10 / 254	8.2 / 208.3	14.25 / 361.95	13.875 / 352.42	9.5 / 241.29	9.5 / 241.29
<b>PODW-4-UC</b>	17 / 431.8	17 / 431.8	4 / 101.6	11.5 / 292.1	8.2 / 208.3	16.25 / 412.75	15.875 / 403.22	11.5 / 292.09	11.5 / 292.09
<b>PODW-5-UC</b>	18.5 / 470	20.5 / 520.7	4 / 101.6	15 / 381	9.6 / 243.8	17.25 / 438.15	17.5 / 444.5	14.75 / 374.65	14.5 / 368.29

Uncut Pod Box Size	Seaview Part Number	
	Item # (Black Base)	Item # (White Base)
<b>UNCUT</b>		
1	9.5" x 8.5"	POD-1-UC    PODW-1-UC
2	12.5" x 9.25"	POD-2-UC    PODW-2-UC
3	14.25" x 9.5"	POD-3-UC    PODW-3-UC
4	16.25" x 11.5"	POD-4-UC    PODW-4-UC
5	17.25" x 14.75"	POD5-UC    PODW-5-UC

Refer to the uncut pod box size next to your electronics.

Please note that these Power Pods come uncut. Seaview can cut the Power Pod to fit your electronics (refer to price list for cut charge). When ordering use part number **POD-CUT** and a description of the electronics.

*\*Allow for 3-5 days when ordering a pre-cut Power Pod\**

## Pod Box Size Needed For Your Electronics

	Uncut Pod Box Size
<b>B&amp;G</b>	
Z7, Z8	2
T12, Z12	4
<b>FURUNO</b>	
1623, 1715	1
GP150D, GP1670, GP1870, GP7800, MFD8	2
1964C	3
MFD12	4
<b>GARMIN</b>	
527, 547, 741, 70s	1
6008, 6208, 8008, 8208	2
6012, 6212, 7012, 7212, 8012, 8212	4
7015, 7215, 8015, 8215	5
<b>HUMMINBIRD</b>	
500, 700 Series	1
800, 900 Series, ONIX 8, ONIX 10	2
1100 Series, ION 10	3
ION 12	4

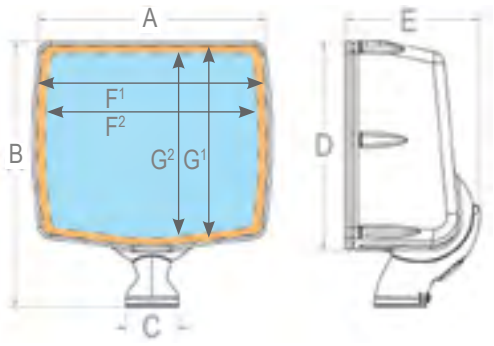
	Uncut Pod Box Size
<b>LOWRANCE</b>	
HDS-5, HDS-5M, HDS-5X, HDS-7, HDS-7M	1
HDS-8, HDS-8M	2
HDS-10, HDS-10M	3
<b>RAYMARINE</b>	
a65, a67, a68, a75, a77, a78, e7, e7D	1
e9, c95, c97, e95, e97	2
c125, c127, e125, e127	3
<b>SIMRAD</b>	
NSS7	1
NSS8, NSE8	2
NSS12, NSE12	4
<b>SITEX</b>	
EC5, EC7, SNS 700	1
EC11, SNS 1100	3
<b>STANDARD HORIZON</b>	
CPN700i, CP190i, CP390i, CPF190i	1
CPN1010i	2
CP590	3
<b>ICOM</b>	
MXD5000	4



A black base option for a Power Pod.



A white base option for a Power Pod.



# SPOD & DPOD

Sail & Deck Pods For Most Instruments and Displays

## SPOD



Water tight gasket

The **SPOD** fits the majority of steering gear including Jefa, Whitlock and Edson.

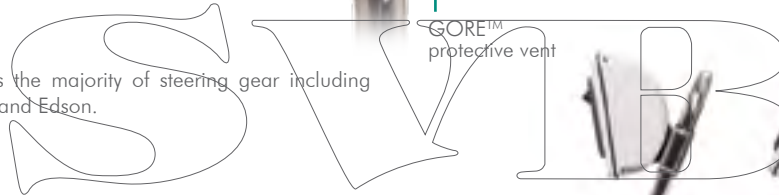


A SP1S can also be used to mount a single instrument to your rail as well as onto your **SPOD** or **DPOD**.



Two high polished stainless steel clamps are used to secure your **SPOD** to a 1", 1 1/8" or 1 1/4" (25mm to 32mm) rails.

The **SPOD** fits standard 12", 9 1/2" and non standard guard rails.



GORE™ protective vent



The **SPOD** has a wide mounting angle, allowing for precise viewing. Angle is set during installation.

## DPOD



GORE™ protective vent

Anodized aluminum rotating base

UV resistant ABS plastic

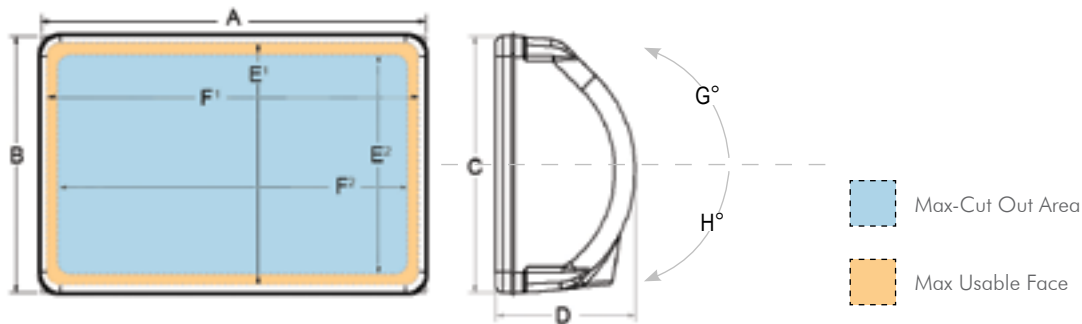


Tamper proof screws are used to secure the UV protected ABS plastic housing of both the **SPOD** and **DPOD**.



Simply pull the secure bolt out and rotate the **DPOD** up to 350°.

# DIMENSIONS



	A inch / mm	B / C inch / mm	D inch / mm	F <sup>1</sup> inch / mm	E <sup>1</sup> inch / mm	F <sup>2</sup> inch / mm	E <sup>2</sup> inch / mm	G	H
	<b>Overall Dimensions</b>			<b>Max Usable Face</b>		<b>Max Cut Out Area</b>			
<b>SPOD</b>									
SP1S	5.038 / 127.97	5.163 / 131.14	3.125 / 79.375	4.625 / 117.47	4.625 / 117.47	4.125 / 104.77	4.125 / 104.77	NA	NA
SP2S	12.305 / 312.55	7.555 / 191.89	5.08 / 129.03	11.75 / 298.45	7 / 177.80	11 / 279.40	6.125 / 155.57	26°	12°
SP3S	14.25 / 361.95	9.5 / 241.30	5.147 / 130.73	13.75 / 349.25	9 / 228.60	12.938 / 328.63	8.125 / 206.37	32°	30°
SP4S	17.5 / 444.50	12.75 / 323.85	5.7 / 144.78	16.938 / 430.23	12.25 / 311.15	16 / 406.40	11.25 / 285.75	10°	7°
SP5S	15.25 / 387.35	5.5 / 139.70	3.185 / 80.899	14.75 / 374.65	5 / 127	13.875 / 352.42	4.125 / 104.77	6°	6°

<b>DPOD</b>									
SP2P	12.305 / 312.55	7.555 / 191.89	5.08 / 129.03	11.75 / 298.45	7 / 177.80	11 / 279.40	6.125 / 155.57		
SP3P	14.25 / 361.95	9.5 / 241.30	5.147 / 130.73	13.75 / 349.25	9 / 228.60	12.938 / 328.63	8.125 / 206.37		
SP5P	15.25 / 387.35	5.5 / 139.70	3.185 / 80.899	14.75 / 374.65	5 / 127	13.875 / 352.42	4.125 / 104.77		

### Accessory

SP1BOX	5.038 / 127.97	5.163 / 131.14	3.125 / 79.375	4.625 / 117.47	4.625 / 117.47	4.125 / 104.77	4.125 / 104.77		
--------	----------------	----------------	----------------	----------------	----------------	----------------	----------------	--	--

## SPOD & DPOD ACCESSORIES



SP1BOX allows you to mount additional instruments to your SPOD or DPOD.



Two SP1BOX on a SPOD.



Back view of SP1BOX.

## SPOD & DPOD PART # GUIDE

	SPOD Part #	DPOD Part #
<b>B&amp;G</b>		
Z7, Z8	SP3S	SP3P
T12, Z12	SP4S	—
<b>FURUNO</b>		
GP150D, GP1670, GP1870, GP7800	SP2S	SP2P
1623, 1715	SP3S	SP3P
MFD8	SP3SMFD8*	SP3PMFD8*
1964C, TZT114, MFD12	SP4S	—
<b>GARMIN</b>		
527, 547, 741, 70s	SP2S	SP2P
4008, 4208, 5008, 5208	SP3S	SP3P
6008, 6208	SP3SG6*	SP3PG6*
8008, 8208	SP3SG8*	SP3PG8*
6012, 6212	SP4SG6*	—
7012, 7212	SP4SG712*	—
7012, 7215	SP4SG715*	—
8012, 8212	SP4S	—
8015, 8215	SP4S	—
<b>HUMMINBIRD</b>		
500, 700, 800, 900 Series	SP2S	SP2P
ONIX 8, ONIX 10	SP3S	SP3P
ION 10, ION 12, 1100 Series	SP4S	—

	SPOD Part #	DPOD Part #
<b>LOWRANCE</b>		
HDS-5, HDS-5M, HDS-5X, HDS-7, HDS-7M	SP2S	SP2P
HDS-8, HDS-8M	SP3S	SP3P
HDS-10, HDS-10M	SP3S	SP3P
<b>RAYMARINE</b>		
a65, a67, a68, a75, a77, a78, e7, e7D, e9, c95, c97, e95, e97	SP2S	SP2P
c125, c127, e125, e127	SP4S	—
<b>SIMRAD</b>		
NSS7	SP2S	SP2P
NSS8, NSE8	SP3S	SP3P
NSS12, NSE12	SP4S	—
<b>SITEX</b>		
EC5, EC7, SNS 700	SP2S	SP2P
EC11, SNS 1100	SP4S	—
<b>STANDARD HORIZON</b>		
CPN700i, CP190i, CP390i, CPF190i, CPF390i	SP2S	SP2P
CPN1010i	SP3S	SP3P
CP590	SP4S	—
<b>ICOM</b>		
MXD5000	SP4S	—

SPOD & DPOD

# BACKSTAY MOUNT

Keep Your Radar Antenna Level With The Horizon

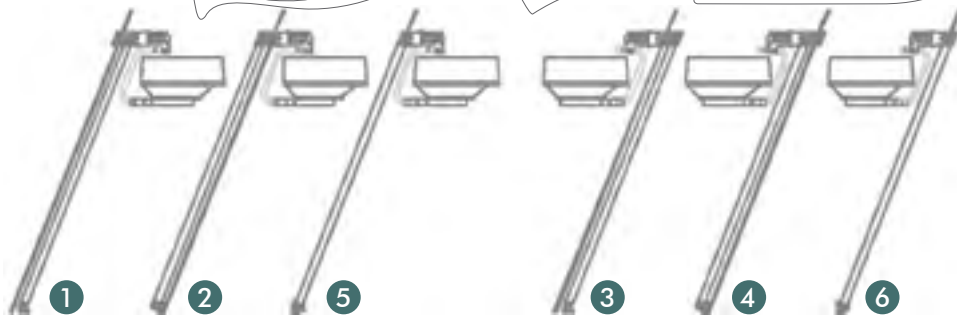


- » **No port or starboard radar target loss**
- » **Economical and easy installation**
- » **Hydraulically damped**



The Seaview Backstay System can be installed in six different configurations. Over the backstay either forward or aft mounted. Behind the backstay either forward or aft mounted. And in front of the backstay either forward or aft mounted radome. Installation does not require modification to the vessel or rigging including those with hydraulic backstay adjusters.

Part number **SLB1** (for 18" closed dome radars)



## Deck Mount

1. Radome forward - pole forward of the backstay
2. Radome forward - pole aft of the backstay
3. Radome aft - pole forward of the backstay
4. Radome aft - pole aft of the backstay

## Chain Plate Mount

5. Radome forward
6. Radome aft

## Accessories

**SV GPS3** = Single antenna mounting kit

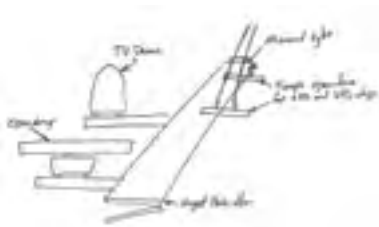
**SV DBA2** = Double antenna mounting kit



Single antenna mounting kit shown here.

# CUSTOM & OEM DIVISION

Complete Custom Design & Production Specific to Your Application



## FIRST SKETCH

A quick sketch over the phone going over what you want to look like.



## DESIGN

Dimensional CAD drawing along with a 3D view as seen in examples below are provided to the customer for review.



## FINISHED MOUNT

Please allow for 3-4 weeks to complete custom mount.

Visit [WWW.SEAVIEWGLOBAL.COM](http://WWW.SEAVIEWGLOBAL.COM) for more!

Here are some examples of custom mounts that we have done. For more examples visit our website at

[www.seaviewglobal.com](http://www.seaviewglobal.com)

Or give us a call today to get your custom mount started!



Model #1



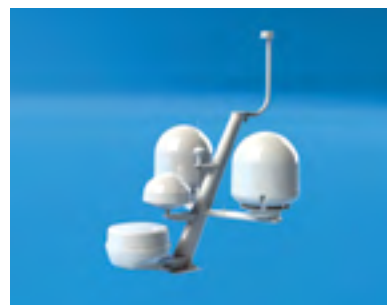
Model #8



Model #14



Model #17



Model #22



Model #23

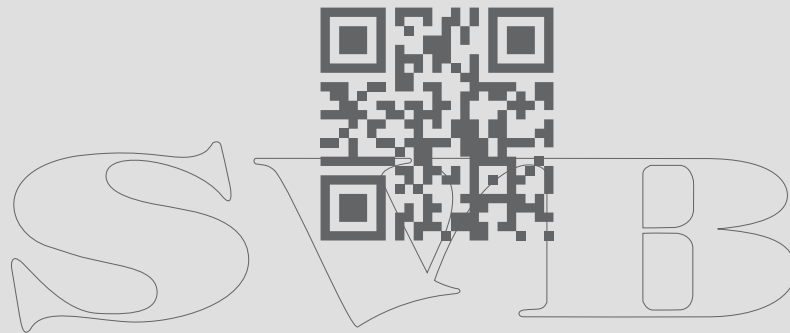


Model #32



A Seaview custom arch for a Beneteau 58

# WWW.SEAVIEWGLOBAL.COM



**Headquarters**

12532 Beverly Park Road  
Lynnwood, WA 98087  
+1 (800) 523 - 7558  
jr@pyiinc.com  
www.seaviewglobal.com

**European Office**

ZI du Capitou, 85 rue Louis Lepine  
83600 Frejus - France  
+33 4 94 5327 70  
info@seaviewprogress.com  
www.seaviewprogress.com