

Product Specifications SE30/125S



Thrusters are not only helpful for large yachts, typically a light weight boat with a single outboard or stern-drive are even more difficult and stressful to handle in tight spots than larger yachts that are less effected by the wind.

With its outstanding performance, excellent energy efficiency and very compact installation size, the SE30/125S includes all the important and unique **Side-Power** features and qualities - **why settle for less.**

Easy and safe to install:

- Easy access terminals for easy, fast and safe fitting of main battery cables (as opposed to having to fit directly onto "crowded" solenoid studs. Own by overheat sensor in motor.
- Plug and go control wiring.
- Fast, easy and safe fitting of propeller with lock-nut as opposed to difficult and unreliable set-screw fastening.
- Self aligning drilling template available for OEM customers.

Description:

Typical boat size	20 - 28 foot (see back page for more info)
Tunnel inside diameter	125 mm / 4,92"
Propulsion system	Single 5bl composite Q-prop
Available for DC system	12 V
Weight	9,5 kg / 21 lbs.

Gearleg:

- Seawater resistant bronze, CNC machined in one process to ensure 100% correct tolerances, angles and measurements.
- Sealed gear leg with long-life "mechanical" seal where polished ceramic and carbon surfaces form the only moving sealing surfaces, ensuring protection against damaging water intrusion into gear leg.
- Lifetime lubricated with special gear-oil.
- Hardened and ground precision spiro-conical gears.
- Propeller shaft with double ball bearings fitted in correct tolerances.
- Driveshaft with ball bearing and special sleeve bearing in correct tolerances.
- Connection between motor and driveshaft by shear-pin, changable from inside the boat.
- 5 bladed composite Q-Prop propeller.
- Zinc anode protection directly on gearleg, easy to access and change.

Performance and specifications at one tunnel diameter depth* :

	At 10,5V	At 12,0V
Thrust	30 kg / 66 lbs.	38 kg / 88 lbs.
Output power	1,6 kW / 2,1 Hp	2,0 kW / 2,7 Hp
Average current draw	180 A	250 A
Continous run time (20°C)	3 min.	2 min 40 sec
Approx. long term run time	12% of time	10% of time
Min. battery CCA rating	200 by DIN / 370 by BCI/SAE	
Side-Power fuse size:	ANL150	

Safety features on thruster (see separate sheet for control panels):

- Forced shut-down by overheat sensor in motor
- All internal leads with extra insulation of webbed silicon increase resistance to heat and mechanical wear. Connectors have positive locking so that you have to pull by the insulator to release, can not be pulled off by the wires or loosen by themselves. Self extinguishing solenoid cover.
- IPC Standard electronic control box for protection against:
 - direct drive direction change
 - unique, patented protection of solenoid from extra wear and damages in low voltage situations for example caused by drained or damaged batteries as well as "auto-stop" without the need for the skipper to shut down the main switch immediately to stop the thruster in case of a solenoid lock-in**
 - auto-stop if control signal is continous for more than 3 minutes to protect against potential short circuit in control cables.

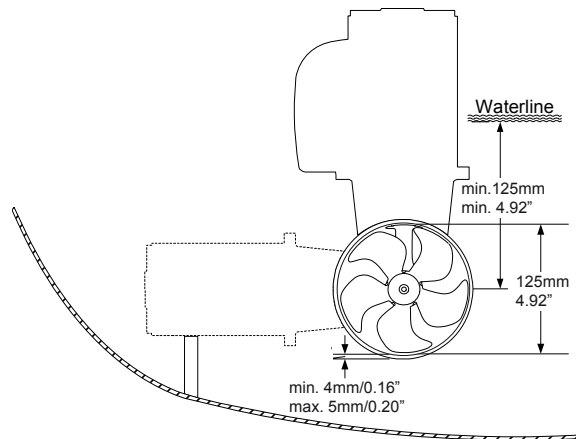
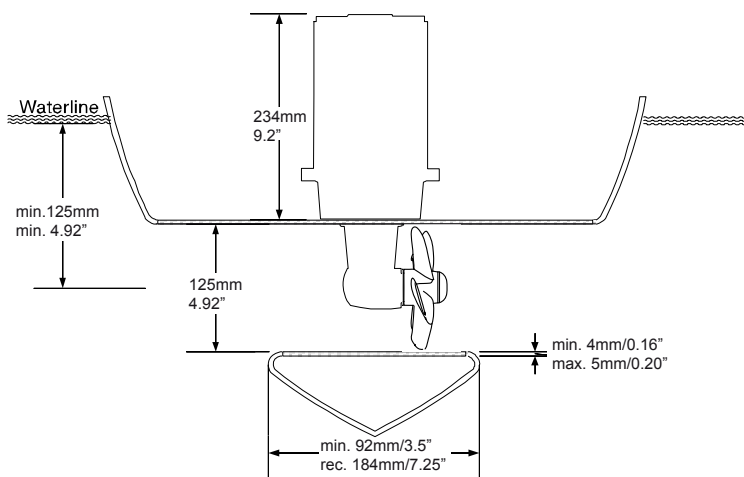
Notes !

* Actual performances, current consumption etc. will vary for each installation depending on many factors. Specifications here given at one tunnel diameter depth and with voltage at thruster as shown. If you install deeper the thrust will be more as well as the current consumption, and the running time will be reduced. Electromotors power and efficiency tolerances are +/- 6%.

** New patented safety features in the thruster controlbox.

Product Specifications SE30/125S

Installation planning



Battery & cable recommendations:

Model	Voltage	Nominal current draw	Min. battery CCA	mm ² AWG	>7m total + & -		7-14m total + & -		15-21m total + & -		22-28m total + & -		28-35m total + & -		36-45m total + & -	
					Min.	Rec.	Min.	Rec.	Min.	Rec.	Min.	Rec.	Min.	Rec.	Min.	Rec.
SE30/125S	12 V	195 A	DIN: 200 SAE:380		25 1	35 1	35 1	50 1/0	50 1/0	95 3/0	70 2/0	120 4/0	95 3/0	2x70 2x 2/0	120 4/0	2x95 2x 3/0

Minimum and recommended cable dimensions can be identical due to safety margins and cable heat considerations for short cable lengths.

* Minimum or recommended cable cross section in mm²

Typical boat sizes:
SP55Si push the bow against a direct sidewind of approximately:

SeaRay 245 Weekender - 23,7 knots.



SeaRay 260 Sundancer - 21,2 knots.



Aquador 23 WA - 22,7 knots.



Aquador 23 Cabin - 22,8 knots.



This document may contain typographical errors, to which Sleipner Motor assumes no responsibility.

