

# Intellian® i3

## Compact but Powerful

Marine Satellite TV Antenna System



**HDTV**  
COMPATIBLE

### A firm hold on the signal

Intellian's exclusive Dynamic Beam Tilting (DBT) uses a high performance, constantly adjusting sub-reflector which allows the antenna to remain the strongest signal at all times while the vessel is cruising at high speed.

### Faster signal acquisition

Intellian's exclusive Wide Range Search (WRS) algorithm allows the antenna to search, find and lock on to a signal with incredible speed and accuracy.

### Simple & Easy installation

With a single cable to connect the antenna and the ACU, Intellian i3 systems are quick and easy to install. Our advanced ACU is designed to require minimum setup so you can begin to enjoy TV programs aboard your boat in no time.

### Tune in your favorite HDTV channels

Intellian's i3 provides HD channels from the Ku-band. The HD module is actually built-in to the Antenna Control Unit of the Intellian i3 for seamless integration and easy installation.

### Built-in GPS

The Intellian i3 includes a built-in GPS for easier operation and faster signal acquisition. It allows the i3 to have higher accuracy and easy operation wherever the vessel sails.

### Compact size with powerful performance

37cm reflector diameter with nationwide coverage for North & South America, Europe and the regional service around the globe.

### Wireless connectivity & Aptus mobile

The built-in Wi-Fi enables the ACU to be wirelessly connected. PCs, laptops and smartphones can be used to connect to the ACU and monitor, control and change the settings of the system wirelessly. Intellian Aptus mobile is available for download to access to the ACU via Wi-Fi and operate the antenna from their iPhone, iPad or other network devices. iPhone and iPad are registered trademarks of Apple Inc.

**Intellian**

Connect with the best

# Intellian® i3

## Compact but Powerful Marine Satellite TV Antenna System

### Technical Specifications

Physical	
Radome Height	44cm / 17.3"
Radome Diameter	43cm / 16.9"
Reflector Diameter	37cm / 14.6"
Weight	9kg / 19.8lbs
Environmental	
Operating Temp. Range	-25°C to +55°C / -13°F to +131°F
Storage Temp. Range	-40°C to +80°C / -40°F to +176°F
Water Ingress	IPX6
Approvals	CE / FCC
Warranty	3 years parts and 1 year labor
Performance	
Reception Frequency	Ku-band (10.7-12.75GHz)
Polarization	RHCP / LHCP, Vertical / Horizontal
Minimum EIRP	50dBW
Azimuth Range	680°
Elevation Range	+10° to +80°
Ship's Motion	Roll ±25°, Pitch ±15°
Roll & Pitch Response Rate	60° /sec
Turning Rate	60° /sec
RF Output	Dual Output
Antenna Control Unit	
Dimensions (WxDxH)	17.8cm x 21.7cm x 5.4cm / 7" x 8.5" x 2.1"
Weight	1.2kg / 2.6lbs
Display	2 line 20 character VFD module
GPS Interface	Built-in (NMEA 0183 GPS)
Power Requirement	9.0-30.0V DC
Power Consumption	Typ.30W, Max. 50W

### Key Features

#### Fully Automated System

Automatic satellite search and identification.  
2-axis step motors to stabilize the pedestal.

#### Compact Size

37cm antenna reflector diameter Light antenna weighs less than 9kg.

#### Enhanced Antenna

Highly efficient parabolic antenna enables 50dBW of minimum EIRP.  
RHCP / LHCP, Vertical / Horizontal polarization

#### Wide Range Search (WRS) Algorithm

Competitor methods search for the narrow-bandwidth of the main lobe. However Intellian's exclusive WRS searches for the wide range of side lobes and jumps up to the main lobe, providing faster satellite acquisition.

#### DVB-S2 Signal Identification

High speed identification employing DVB-S2 Decoder.

#### Dynamic Beam Tilting (DBT) Technology

A high-speed sub-reflector rotates off axis, checking signal strength at 50 times per second and compensating the tracking direction. Less movement of the main-reflector means less noise and extends the product life.

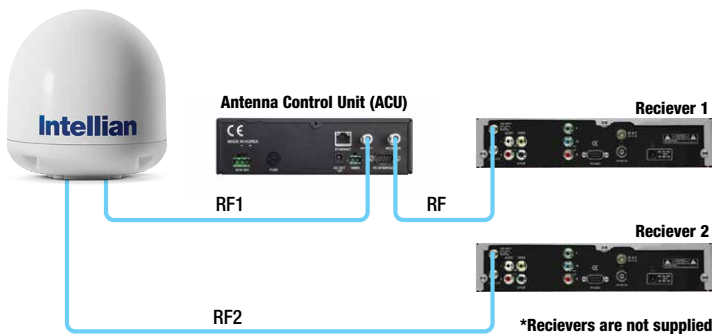
#### New Type Antenna Control Unit

- Intuitive controls with a digital information display on the ACU
- Wireless automated updates and diagnostics via Aptus PC and Aptus Mobile

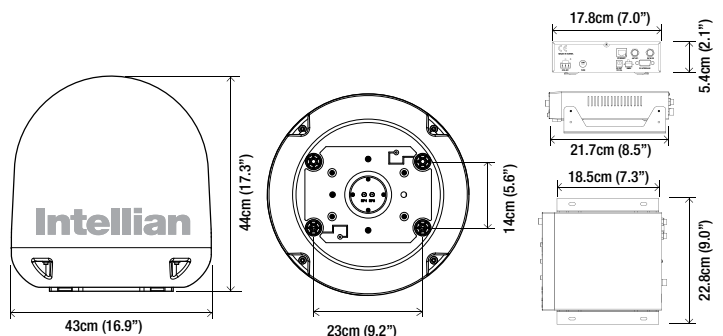
#### Built-in GPS and NMEA 0183 Interface Port

The i3 includes a built-in GPS inside of the Antenna Unit for faster signal acquisition. The ship's GPS can also be connected through the NMEA 0183 port on the rear panel of the ACU.

### System Diagram



### System Dimension



**Global HQ**  
Innovation Center / Factory  
Intellian Technologies, Inc.  
T +82 31 379 1000  
F +82 31 377 6185

**APAC**  
Seoul Office  
Intellian Technologies, Inc.  
T +82 2 511 2244  
F +82 2 511 2235

**Americas**  
Irvine Office  
Intellian Technologies USA, Inc.  
T +1 949 727 4498  
F +1 949 271 4183  
Toll Free +1 888-201-9223

**EMEA**  
Rotterdam Office  
Intellian B.V.  
T +31 1 0820 8655  
F +31 1 0820 8656